

# ASRock IMB-370-L Motherboard datasheet

<http://www.manuallib.com/asrock/imb-370-l-motherboard-datasheet.html>

Socket LGA1155 for Intel Core i7/i5/i3/Celeron (Ivy Bridge and Sandy Bridge)

Intel® Q77 Express Chipset

Integrated Intel® HD Graphics Built-in Visuals

Supports DDR3 1600MHz, 4 x Long-DIMM, up to 32GB system memory

2 x COM (RS-232/422/485), 4 x COM (RS-232)

1 x D-Sub, 1 x HDMI, 1 x Dual Channel 24-bit LVDS

2 x USB 3.0, 8 x USB 2.0, 2 x SATA3, 2 x SATA2

2 x PCI, 1 x Mini-PCIe, 1 x mSATA, 1 x PCIe x16, 1 x PCIe x4

Gigabit LAN : 1 x Intel 82579LM, 1 x Intel 82583V

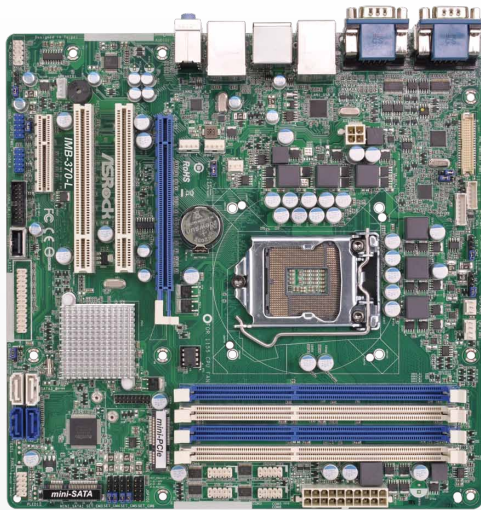
1 x TPM Header

ManualLib.com collects and classifies the global product instruction manuals to help users access anytime and anywhere, helping users make better use of products.

<http://www.manuallib.com>

# IMB-370-L

Micro ATX Motherboard



## Spotlight Features

- Socket LGA1155 for Intel Core i7/i5/i3/Celeron (Ivy Bridge and Sandy Bridge)
- Intel® Q77 Express Chipset
- Integrated Intel® HD Graphics Built-in Visuals
- Supports DDR3 1600MHz, 4 x Long-DIMM, up to 32GB system memory
- 2 x COM (RS-232/422/485), 4 x COM (RS-232)
- 1 x D-Sub, 1 x HDMI, 1 x Dual Channel 24-bit LVDS
- 2 x USB 3.0, 8 x USB 2.0, 2 x SATA3, 2 x SATA2
- 2 x PCI, 1 x Mini-PCIe, 1 x mSATA, 1 x PCIe x16, 1 x PCIe x4
- Gigabit LAN : 1 x Intel 82579LM, 1 x Intel 82583V
- 1 x TPM Header

## Specifications

Processor System	
Dimension	Micro-ATX (9.6-in x 9.6-in)
CPU	Socket LGA1155 for Intel Core i7/i5/i3/Celeron (Sandy Bridge and Ivy Bridge)
Core Number	(By CPU, Max 4)
Max Speed	(By CPU)
L3 Cache	(By CPU)
Chipset	Q77
BIOS	UEFI
Expansion Slot	
PCI	2
Mini-PCIe	1 (Half Size)
mSATA	1 (with USB 2.0)
PCIe	1 (x16) (IVY Bridge: Gen3; Sandy Bridge: Gen2)+ 1 (x4)
CFAST Card Socket	0
Memory	
Technology	Dual Channel DDR3 1066/1333/1600 MHz SDRAM
Max.	32GB
Socket	4 x Long DIMM
Graphics	
Controller	Intel HD Graphics (By CPU)
VRAM	Shared Memory
VGA	Supports max resolution 2048 x 1536
LVDS	Supports Dual Channel 24-bit, max resolution 1920 x 1200
HDMI	Supports HDMI 1.4a, max resolution 1920 x 1200
DVI	No
Display Port	No
Multi Display	Yes
Ethernet	
Interface	10/100/1000 Mbps
Controller	GbE LAN1: Intel 82583V, LAN2: Intel 82579LM
Connector	2 x RJ-45
SATA	
Max Data Transfer Rate	2 x SATA2 (3.0Gb/s), 2 x SATA3 (6.0Gb/s), Supports RAID 0/1/5

Rear I/O	
VGA	1
HDMI	1
DVI-I/D	0
Display Port	0
Ethernet	2
USB	6 (4 x USB 2.0 compliant, 2 x USB 3.0 compliant)
Audio	3 (Mic-In, Line-Out, Line-In)
Serial	2 (RS-232/422/485)
PS/2	1 (Combo)

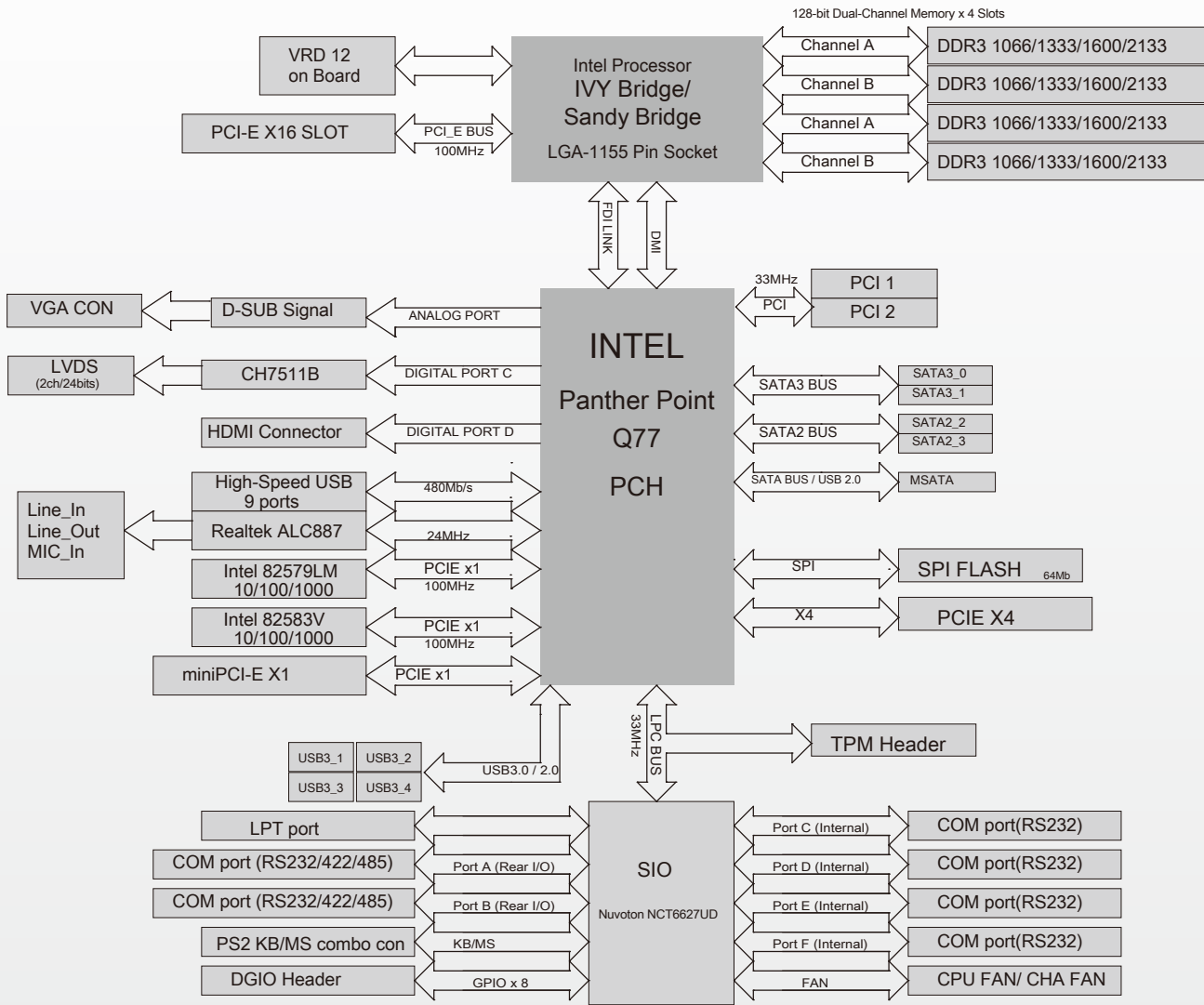
Internal Connector	
USB	6 (4 x USB 2.0 compliant, 2 x USB 3.0 compliant) 1 Vertical Type A USB Connector
LVDS/Inverter	1/1
VGA	0
Serial	4 (RS-232)
SATA	2 x SATA2 (3.0Gb/s), 2 x SATA3 (6.0Gb/s), Supports RAID0/1/5/10
m-SATA	1
Mini-PCIe	1
Parallel	1
IrDA	0
GPIO	4 x GPI + 4 x GPO
SATA PWR Output Con	2
Speaker Header	1

Watchdog Timer	
Output	Output from super I/O to drag RESETCON#
Interval	256 Segments, 0,1,2...255 Sec/Min

Power Requirements	
Input PWR	ATX PWR (4+20 pin)
Power On	AT/ATX Supported AT : Directly PWR on as power input ready ATX : Press button to PWR on after power input ready

Environment	
Operating Temperature	0°C – 60°C

Board Diagram



IPC Motherboards Focused Markets

ASRock IMB solutions can be widely used for industrial applications, such as process control, data acquisition, and so on. IMB-PCs are typically panel mounted and often incorporate touch screens for user interaction.



The specification is subject to change without notice. The brand and product names are trademarks of their respective companies. Any configuration other than original product specification is not guaranteed.