

NXP LPC15XX Cortex-M3 datasheet

<http://www.manuallib.com/nxp/lpc15xx-cortex-m3-datasheet.html>

The LPC15xx are ARM Cortex-M3 based microcontrollers for embedded applications featuring a rich peripheral set with very low power consumption. The ARM Cortex-M3 is a next generation core that offers system enhancements such as enhanced debug features and a higher level of support block integration.

Manuallib.com collects and classifies the global product instruction manuals to help users access anytime and anywhere, helping users make better use of products.

<http://www.manuallib.com>



LPC15xx

32-bit ARM Cortex-M3 microcontroller; up to 256 kB flash and 36 kB SRAM; FS USB, CAN, RTC, SPI, USART, I2C

Rev. 1 — 19 February 2014

Product data sheet

1. General description

The LPC15xx are ARM Cortex-M3 based microcontrollers for embedded applications featuring a rich peripheral set with very low power consumption. The ARM Cortex-M3 is a next generation core that offers system enhancements such as enhanced debug features and a higher level of support block integration.

The LPC15xx operate at CPU frequencies of up to 72 MHz. The ARM Cortex-M3 CPU incorporates a 3-stage pipeline and uses a Harvard architecture with separate local instruction and data buses as well as a third bus for peripherals. The ARM Cortex-M3 CPU also includes an internal prefetch unit that supports speculative branching.

The LPC15xx includes up to 256 kB of flash memory, 32 kB of ROM, a 4 kB EEPROM, and up to 36 kB of SRAM. The peripheral complement includes one full-speed USB 2.0 device, two SPI interfaces, three USARTs, one Fast-mode Plus I²C-bus interface, one C_CAN module, PWM/timer subsystem with four configurable, multi-purpose State Configurable Timers (SCTimer/PWM) with input pre-processing unit, a Real-time clock module with independent power supply and a dedicated oscillator, two 12-channel/12-bit, 2 Msamples/s ADCs, one 12-bit, 500 kSamples/s DAC, four voltage comparators with internal voltage reference, and a temperature sensor. A DMA engine can service most peripherals.

For additional documentation related to the LPC15xx parts, see [Section 17 “References”](#).

2. Features and benefits

- System:
 - ◆ ARM Cortex-M3 processor (version r2p1), running at frequencies of up to 72 MHz.
 - ◆ ARM Cortex-M3 built-in Nested Vectored Interrupt Controller (NVIC).
 - ◆ System tick timer.
 - ◆ Serial Wire Debug (SWD) with four breakpoints and two watchpoints.
 - ◆ Single-cycle multiplier supported.
 - ◆ Memory Protection Unit (MPU) included.
- Memory:
 - ◆ Up to 256 kB on-chip flash programming memory with 256 Byte page write and erase.
 - ◆ Up to 36 kB SRAM.
 - ◆ 4 kB EEPROM.



- ROM API support:
 - ◆ Boot loader with boot options from flash or external source via USART, C_CAN, or USB
 - ◆ USB drivers
 - ◆ ADC drivers
 - ◆ SPI drivers
 - ◆ USART drivers
 - ◆ I2C drivers
 - ◆ Power profiles and power mode configuration with low-power mode configuration option
 - ◆ DMA drivers
 - ◆ C_CAN drivers
 - ◆ Flash In-Application Programming (IAP) and In-System Programming (ISP).
- Digital peripherals:
 - ◆ Simple DMA engine with 18 channels and 20 programmable input triggers.
 - ◆ High-speed GPIO interface with up to 76 General-Purpose I/O (GPIO) pins with configurable pull-up/pull-down resistors, open-drain mode, input inverter, and programmable digital glitch filter.
 - ◆ GPIO interrupt generation capability with boolean pattern-matching feature on eight external inputs.
 - ◆ Two GPIO grouped port interrupts.
 - ◆ Switch matrix for flexible configuration of each I/O pin function.
 - ◆ CRC engine.
 - ◆ Quadrature Encoder Interface (QEI).
- Configurable PWM/timer/motor control subsystem:
 - ◆ Up to four 32-bit counter/timers or up to eight 16-bit counter/timers or combinations of 16-bit and 32-bit timers.
 - ◆ Up to 28 match outputs and 22 configurable capture inputs with input multiplexer.
 - ◆ Up to 28 PWM outputs total.
 - ◆ Dither engine for improved average resolution of pulse edges.
 - ◆ Four State Configurable Timers (SCTimers) for highly flexible, event-driven timing and PWM applications.
 - ◆ SCT Input Pre-processor Unit (SCTIPU) for processing timer inputs and immediate handling of abort situations.
 - ◆ Integrated with ADC threshold compare interrupts, temperature sensor, and analog comparator outputs for motor control feedback using analog signals.
- Special-application and simple timers:
 - ◆ 24-bit, four-channel, multi-rate timer (MRT) for repetitive interrupt generation at up to four programmable, fixed rates.
 - ◆ Repetitive interrupt timer for general purpose use.
 - ◆ Windowed Watchdog timer (WWDT).
 - ◆ High-resolution 32-bit Real-time clock (RTC) with selectable 1 s or 1 ms time resolution running in the always-on power domain. RTC can be used for wake-up from all low power modes including Deep power-down.

- Analog peripherals:
 - ◆ Two 12-bit ADC with up to 12 input channels per ADC and with multiple internal and external trigger inputs and sample rates of up to 2 Msamples/s. Each ADC supports two independent conversion sequences. ADC conversion clock can be the system clock or an asynchronous clock derived from one of the three PLLs.
 - ◆ One 12-bit DAC.
 - ◆ Integrated temperature sensor and band gap internal reference voltage.
 - ◆ Four comparators with external and internal voltage references (ACMP0 to 3). Comparator outputs are internally connected to the SCTimer/PWMs and ADCs and externally to pins. Each comparator output contains a programmable glitch filter.
- Serial interfaces:
 - ◆ Three USART interfaces with DMA, RS-485 support, autobaud, and with synchronous mode and 32 kHz mode for wake-up from Deep-sleep and Power-down modes. The USARTs share a fractional baud-rate generator.
 - ◆ Two SPI controllers.
 - ◆ One I²C-bus interface supporting fast mode and Fast-mode Plus with data rates of up to 1Mbit/s and with multiple address recognition and monitor mode.
 - ◆ One C_CAN controller.
 - ◆ One USB 2.0 full-speed device controller with on-chip PHY.
- Clock generation:
 - ◆ 12 MHz internal RC oscillator trimmed to 1 % accuracy for $-25\text{ °C} \leq T_{\text{amb}} \leq +85\text{ °C}$ that can optionally be used as a system clock.
 - ◆ Crystal oscillator with an operating range of 1 MHz to 25 MHz.
 - ◆ Watchdog oscillator with a frequency range of 503 kHz.
 - ◆ 32 kHz low-power RTC oscillator with 32 kHz, 1 kHz, and 1 Hz outputs.
 - ◆ System PLL allows CPU operation up to the maximum CPU rate without the need for a high-frequency crystal. May be run from the system oscillator or the internal RC oscillator.
 - ◆ Two additional PLLs for generating the USB and SCTimer/PWM clocks.
 - ◆ Clock output function with divider that can reflect the crystal oscillator, the main clock, the IRC, or the watchdog oscillator.
- Power control:
 - ◆ Integrated PMU (Power Management Unit) to minimize power consumption.
 - ◆ Reduced power modes: Sleep mode, Deep-sleep mode, Power-down mode, and Deep power-down mode.
 - ◆ APIs provided for optimizing power consumption in active and sleep modes and for configuring Deep-sleep, Power-down, and Deep power-down modes.
 - ◆ Wake-up from Deep-sleep and Power-down modes on activity on USB, USART, SPI, and I2C peripherals.
 - ◆ Wake-up from Sleep, Deep-sleep, Power-down, and Deep power-down modes from the RTC alarm or wake-up interrupts.
 - ◆ Timer-controlled self wake-up from Deep power-down mode using the RTC high-resolution/wake-up 1 kHz timer.
 - ◆ Power-On Reset (POR).
 - ◆ BrownOut Detect BOD).
- JTAG boundary scan modes supported.
- Unique device serial number for identification.

- Single power supply 2.4 V to 3.6 V.
- Temperature range –40 °C to +105 °C.
- Available as LQFP100, LQFP64, and LQFP48 packages.

3. Applications

- Motor control
- Motion drives
- Digital power supplies
- Industrial and medical
- Solar inverters
- Home appliances
- Building and factory automation

4. Ordering information

Table 1. Ordering information

| Type number | Package | | |
|---------------|---------|---|----------|
| | Name | Description | Version |
| LPC1549JBD100 | LQFP100 | plastic low profile quad flat package; 100 leads; body 14 × 14 × 1.4 mm | SOT407-1 |
| LPC1549JBD64 | LQFP64 | plastic low profile quad flat package; 64 leads; body 10 × 10 × 1.4 mm | SOT314-2 |
| LPC1549JBD48 | LQFP48 | plastic low profile quad flat package; 48 leads; body 7 × 7 × 1.4 mm | SOT313-2 |
| LPC1548JBD100 | LQFP100 | plastic low profile quad flat package; 100 leads; body 14 × 14 × 1.4 mm | SOT407-1 |
| LPC1548JBD64 | LQFP64 | plastic low profile quad flat package; 64 leads; body 10 × 10 × 1.4 mm | SOT314-2 |
| LPC1547JBD64 | LQFP64 | plastic low profile quad flat package; 64 leads; body 10 × 10 × 1.4 mm | SOT314-2 |
| LPC1547JBD48 | LQFP48 | plastic low profile quad flat package; 48 leads; body 7 × 7 × 1.4 mm | SOT313-2 |
| LPC1519JBD100 | LQFP100 | plastic low profile quad flat package; 100 leads; body 14 × 14 × 1.4 mm | SOT407-1 |
| LPC1519JBD64 | LQFP64 | plastic low profile quad flat package; 64 leads; body 10 × 10 × 1.4 mm | SOT314-2 |
| LPC1518JBD100 | LQFP100 | plastic low profile quad flat package; 100 leads; body 14 × 14 × 1.4 mm | SOT407-1 |
| LPC1518JBD64 | LQFP64 | plastic low profile quad flat package; 64 leads; body 10 × 10 × 1.4 mm | SOT314-2 |
| LPC1517JBD64 | LQFP64 | plastic low profile quad flat package; 64 leads; body 10 × 10 × 1.4 mm | SOT314-2 |
| LPC1517JBD48 | LQFP48 | plastic low profile quad flat package; 48 leads; body 7 × 7 × 1.4 mm | SOT313-2 |

4.1 Ordering options

Table 2. Ordering options for LPC15xx

| Type number | Flash/ kB | EEPROM/ kB | Total SRAM/ kB | USB | USART | I ² C | SPI | C_CAN | SCTimer/ PWM | 12-bit ADC0/1 channels | DAC | GPIO |
|---------------|--------------|---------------|----------------------|-----|-------|------------------|-----|-------|-----------------|------------------------------|-----|------|
| LPC1549JBD100 | 256 | 4 | 36 | yes | 3 | 1 | 2 | 1 | 4 | 12/12 | 1 | 76 |
| LPC1549JBD64 | 256 | 4 | 36 | yes | 3 | 1 | 2 | 1 | 4 | 12/12 | 1 | 44 |
| LPC1549JBD48 | 256 | 4 | 36 | yes | 3 | 1 | 2 | 1 | 4 | 9/7 | 1 | 30 |
| LPC1548JBD100 | 128 | 4 | 20 | yes | 3 | 1 | 2 | 1 | 4 | 12/12 | 1 | 76 |
| LPC1548JBD64 | 128 | 4 | 20 | yes | 3 | 1 | 2 | 1 | 4 | 12/12 | 1 | 44 |
| LPC1547JBD64 | 64 | 4 | 12 | yes | 3 | 1 | 2 | 1 | 4 | 12/12 | 1 | 44 |
| LPC1547JBD48 | 64 | 4 | 12 | yes | 3 | 1 | 2 | 1 | 4 | 9/7 | 1 | 30 |
| LPC1519JBD100 | 256 | 4 | 36 | no | 3 | 1 | 2 | 1 | 4 | 12/12 | 1 | 78 |
| LPC1519JBD64 | 256 | 4 | 36 | no | 3 | 1 | 2 | 1 | 4 | 12/12 | 1 | 46 |
| LPC1518JBD100 | 128 | 4 | 20 | no | 3 | 1 | 2 | 1 | 4 | 12/12 | 1 | 78 |
| LPC1518JBD64 | 128 | 4 | 20 | no | 3 | 1 | 2 | 1 | 4 | 12/12 | 1 | 46 |
| LPC1517JBD64 | 64 | 4 | 12 | no | 3 | 1 | 2 | 1 | 4 | 12/12 | 1 | 46 |
| LPC1517JBD48 | 64 | 4 | 12 | no | 3 | 1 | 2 | 1 | 4 | 9/7 | 1 | 32 |

5. Marking

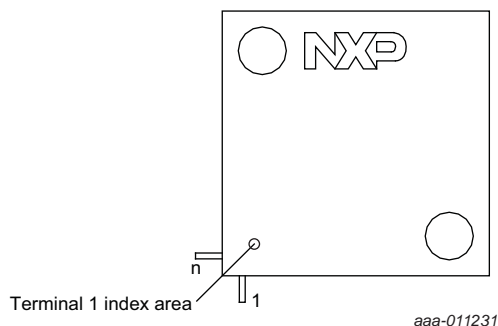


Fig 1. LQFP64/100 package marking

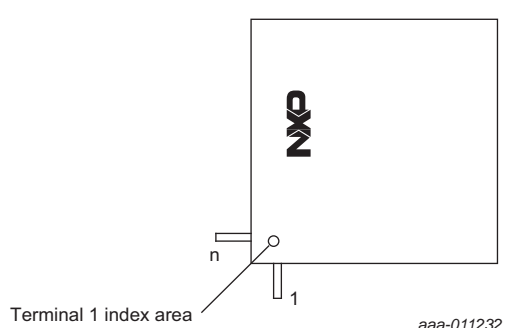


Fig 2. LQFP48 package marking

The LPC15xx devices typically have the following top-side marking for LQFP100 packages:

LPC15xxJxxx

Xxxxxx xx

xxxyywwxxx

The LPC15xx devices typically have the following top-side marking for LQFP64 packages:

LPC15xxJ

Xxxxxx xx

xxxyywwxxx

The LPC15xx devices typically have the following top-side marking for LQFP48 packages:

LPC15xxJ

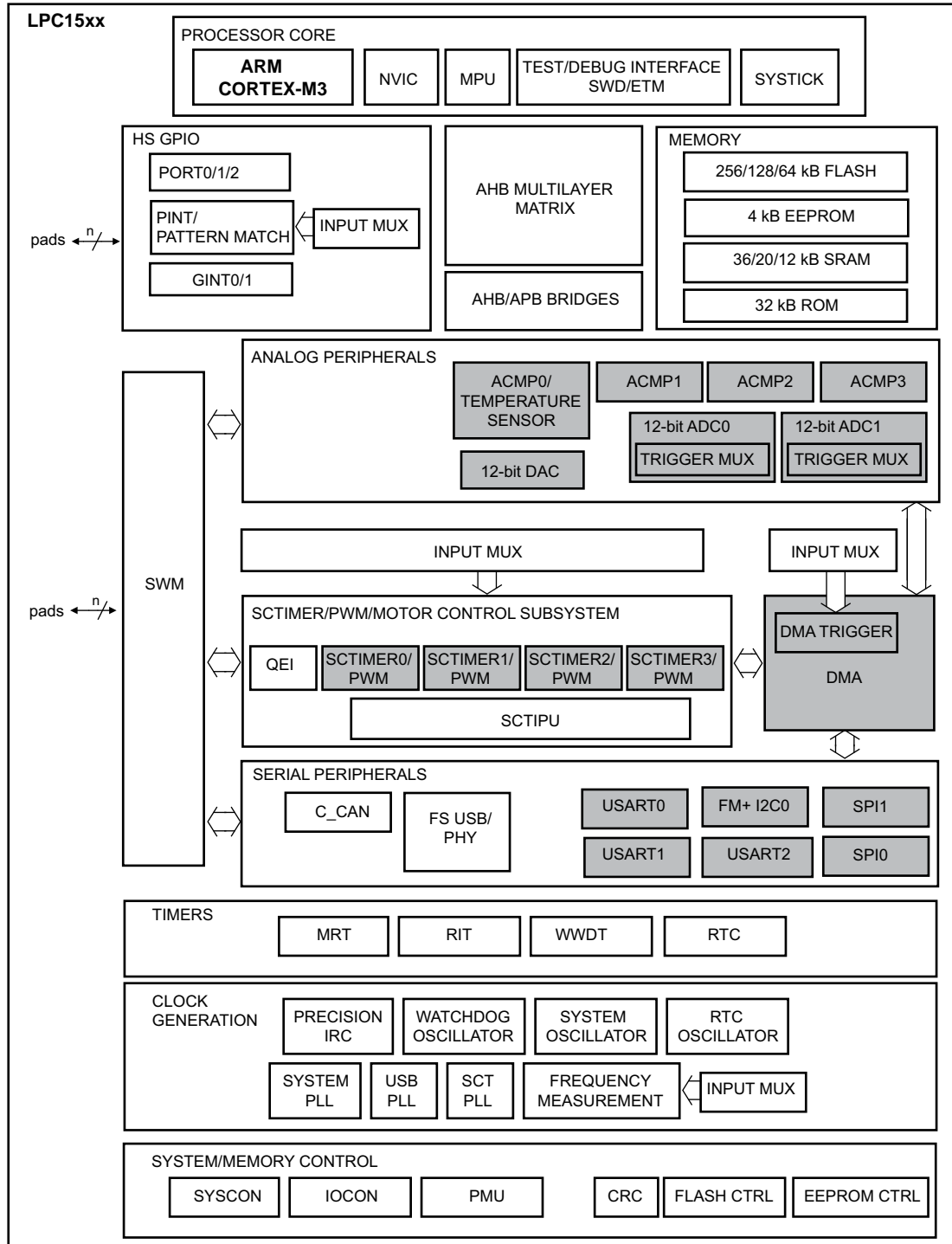
Xxxxxx

Xxyy

wwxxx

Field 'yy' states the year the device was manufactured. Field 'ww' states the week the device was manufactured during that year.

6. Block diagram



aaa-010869

Grey-shaded blocks show peripherals that can provide hardware triggers for DMA transfers or have DMA request lines.

Fig 3. LPC15xx Block diagram

7. Pinning information

7.1 Pinning

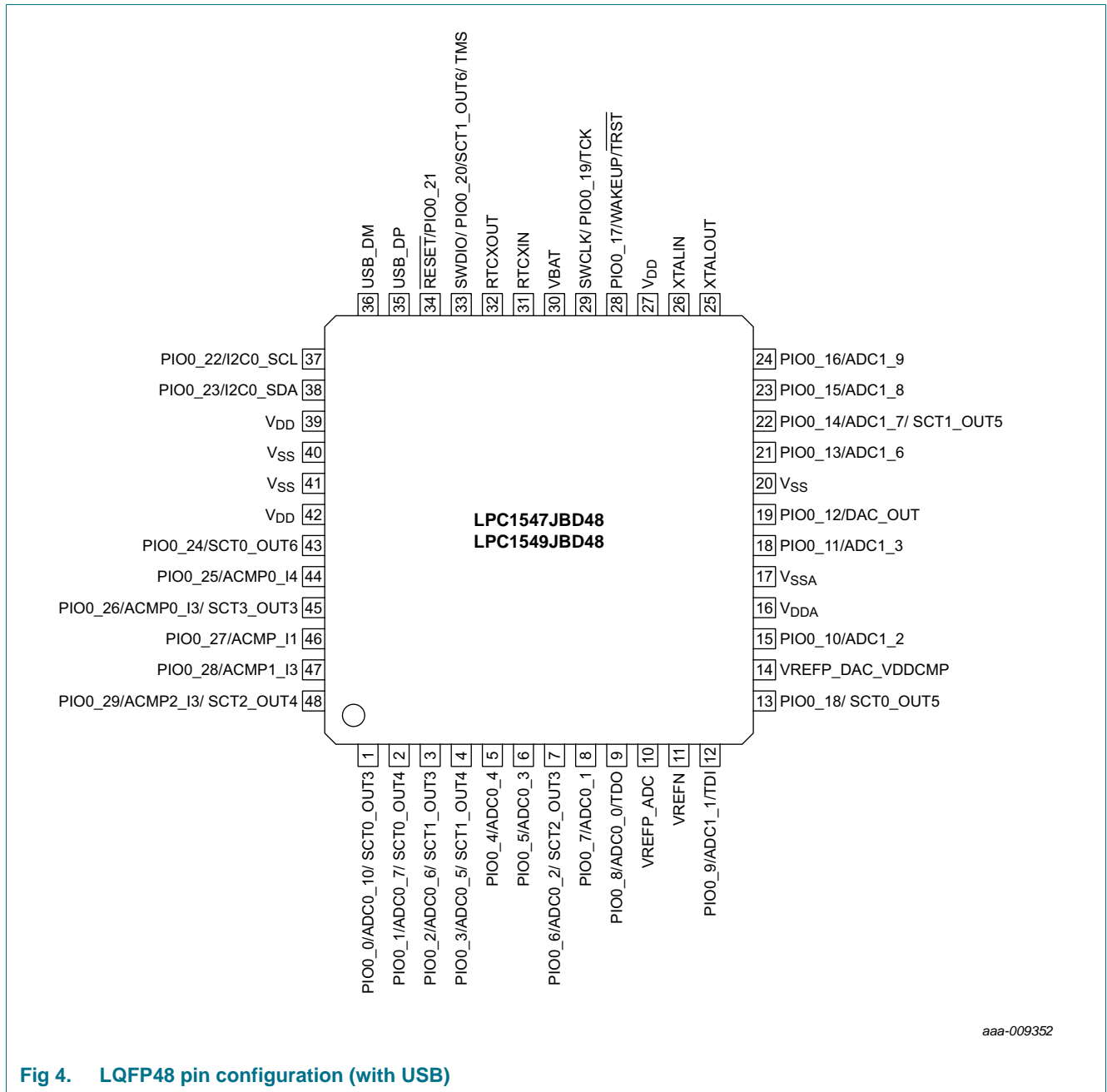
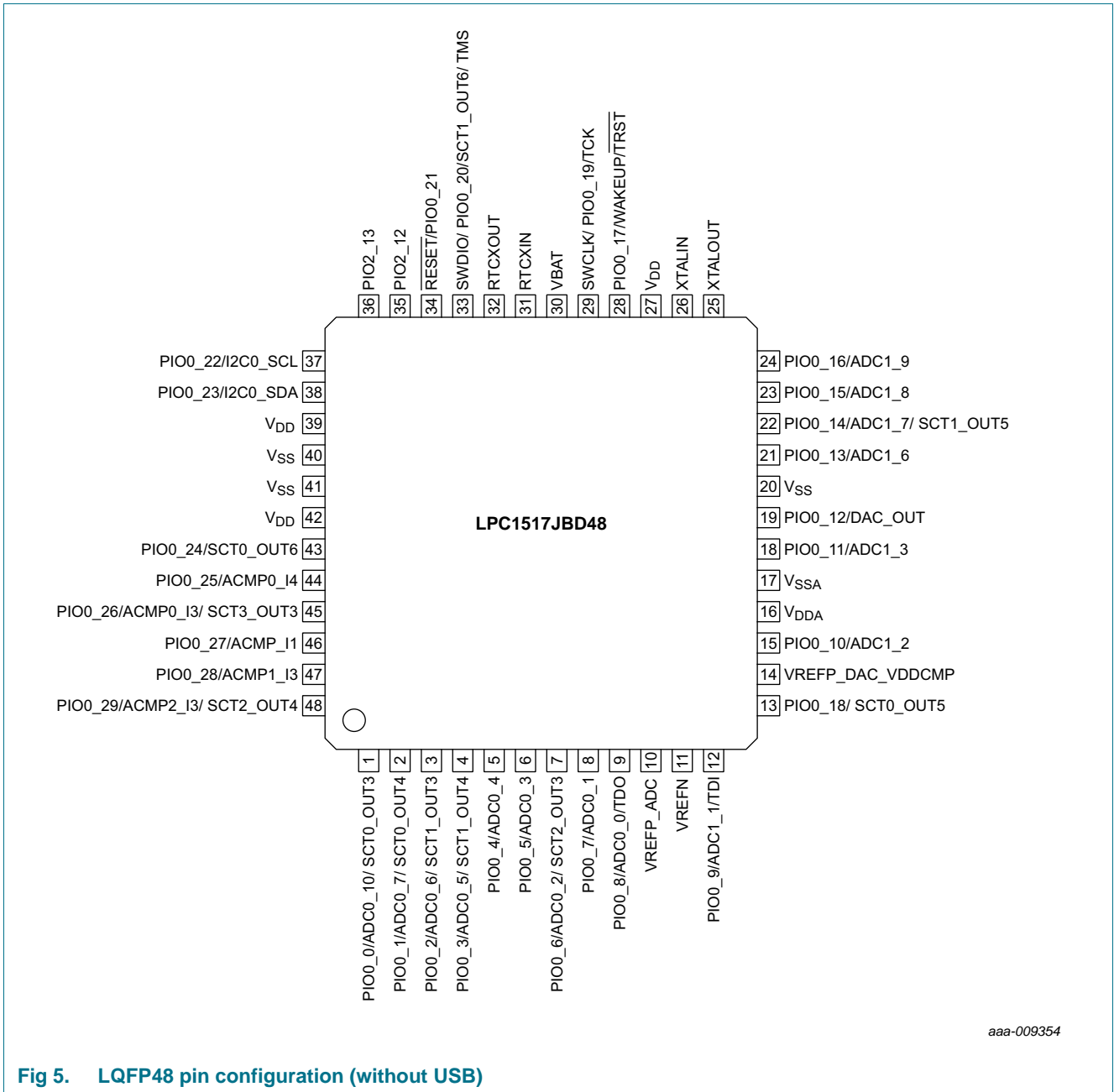
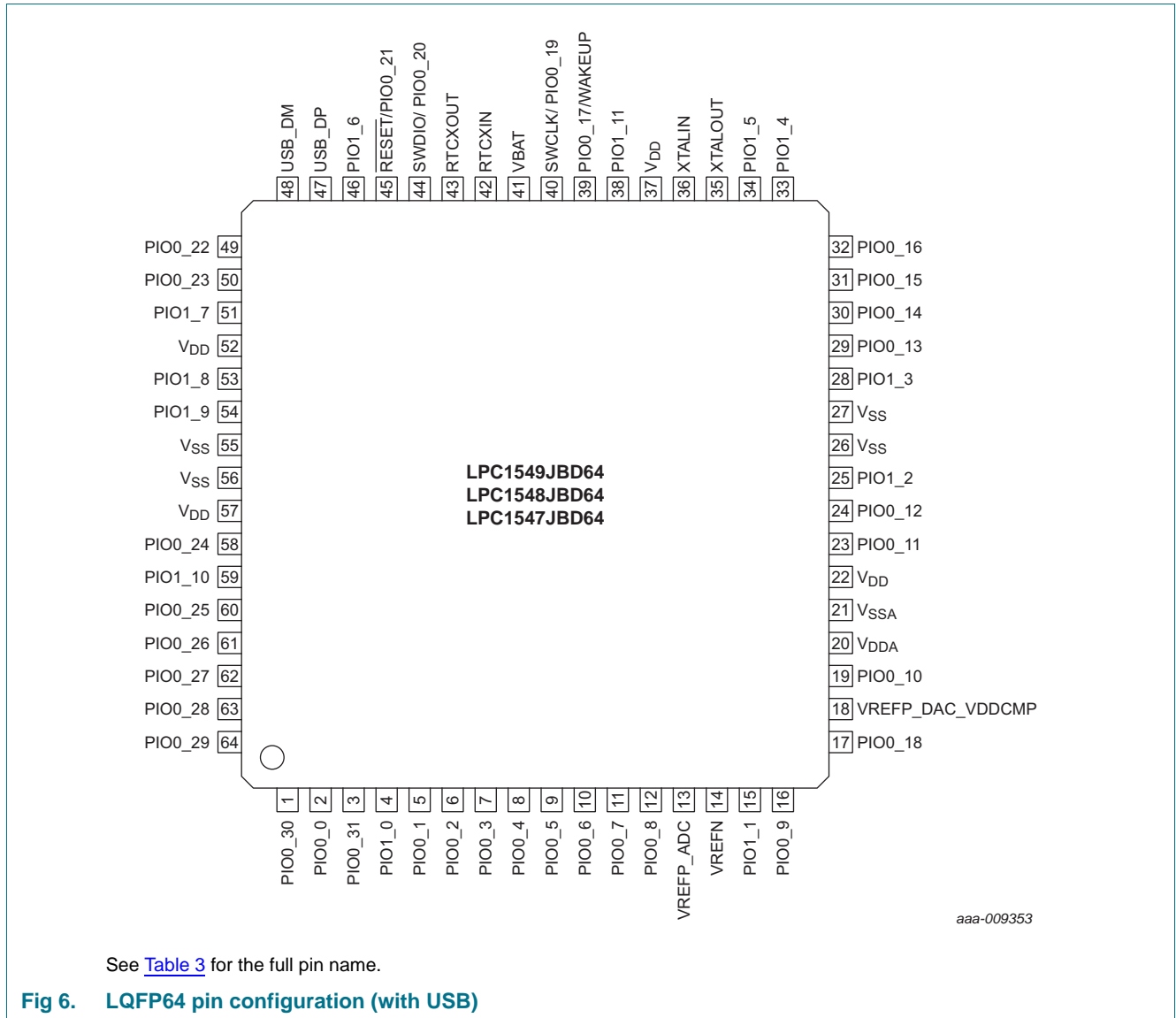


Fig 4. LQFP48 pin configuration (with USB)



aaa-009354

Fig 5. LQFP48 pin configuration (without USB)



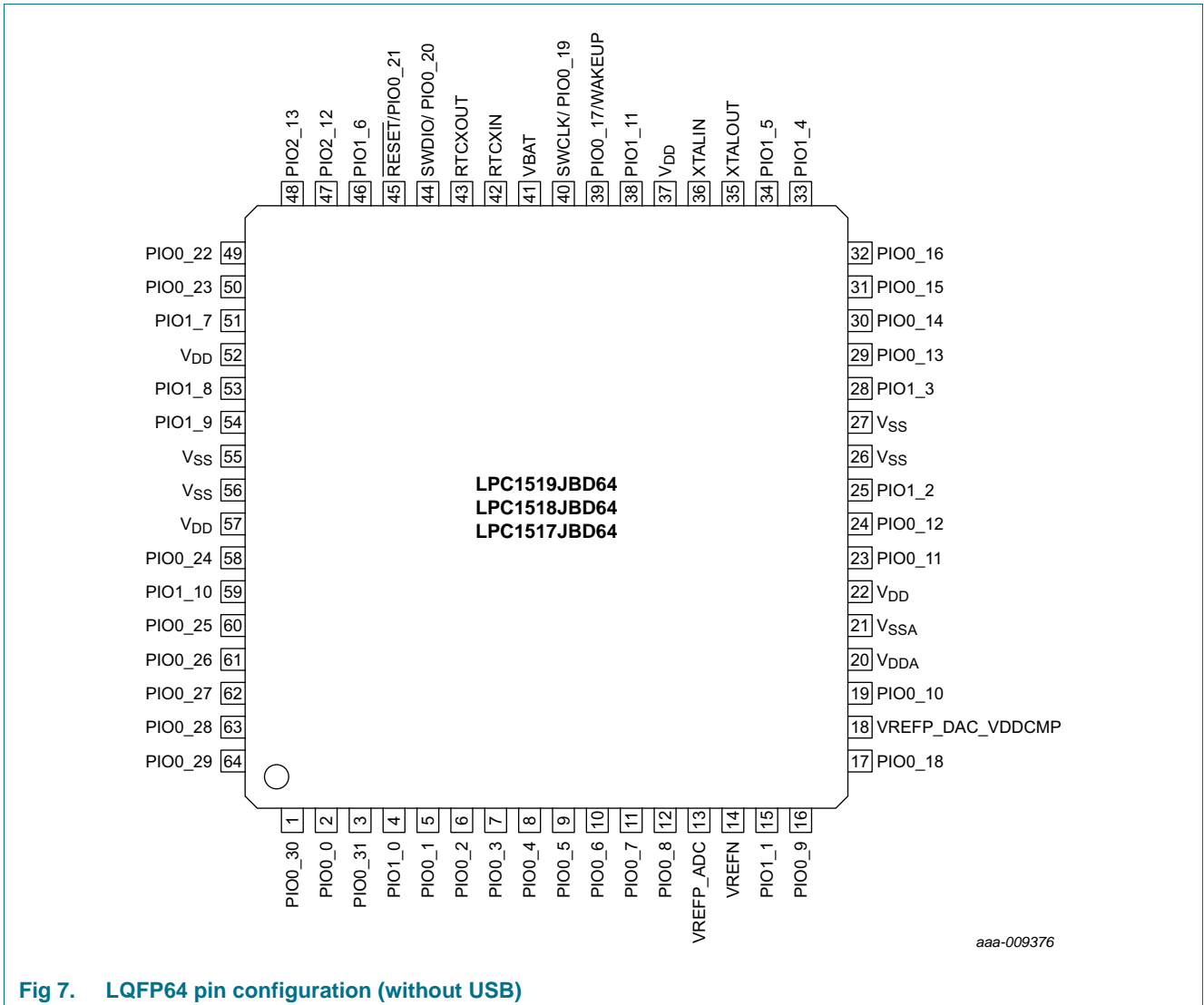


Fig 7. LQFP64 pin configuration (without USB)

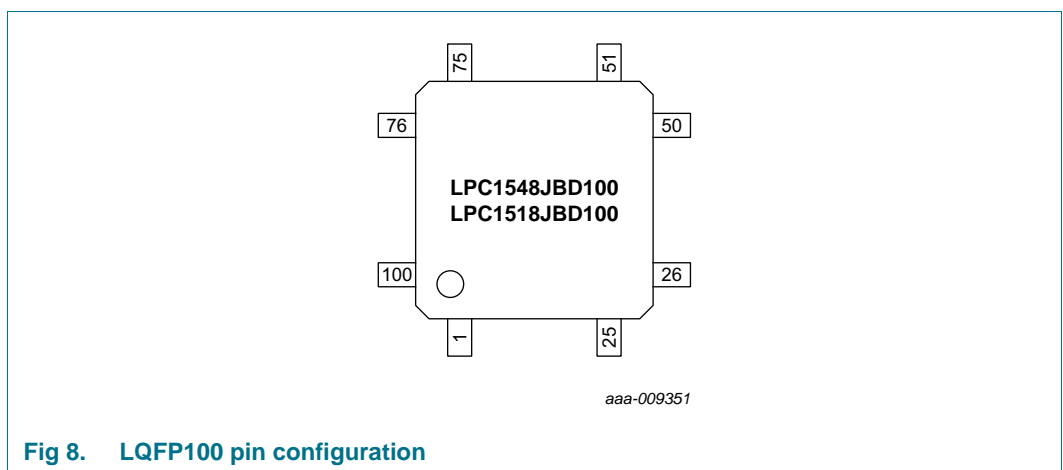


Fig 8. LQFP100 pin configuration

7.2 Pin description

Most pins are configurable for multiple functions, which can be analog or digital. Digital inputs can be connected to several peripherals at once, however only one digital output or one analog function can be assigned to any on pin. The pin's connections to internal peripheral blocks are configured by the switch matrix (SWM), the input multiplexer (INPUT MUX), and the SCT Input Pre-processor Unit (SCTIPU).

The switch matrix enables certain fixed-pin functions that can only reside on specific pins (see [Table 3](#)) and assigns all other pin functions (movable functions) to any available pin (see [Table 4](#)), so that the pinout can be optimized for a given application.

The input mux provides many choices (pins and internal signals) for selecting the inputs of the SCTimer/PWMs and the frequency measure block. Pins that are connected to the input mux are listed in [Table 5](#). If a pin is selected in the input mux, it is directly connected to the peripheral input without being routed through the switch matrix. Independently of being selected in the input mux, the same pin can also be assigned by the switch matrix to another peripheral input.

Four pins can also be connected directly to the SCTIPU and at the same time be inputs to the input mux and the switch matrix (see [Table 5](#)).

Table 3. Pin description with fixed-pin functions

| Symbol | LQFP48 | LQFP64 | LQFP100 | Reset state ^[1] | Type | Description | |
|------------------------------|--------|--------|---------|----------------------------|-------|-------------|---|
| PIO0_0/ADC0_10/ SCT0_OUT3 | 1 | 2 | 2 | [2] | I; PU | IO | PIO0_0 — General purpose port 0 input/output 0. |
| | | | | | | A | ADC0_10 — ADC0 input 10. |
| | | | | | | O | SCT0_OUT3 — SCTimer0/PWM output 3. |
| PIO0_1/ADC0_7/ SCT0_OUT4 | 2 | 5 | 6 | [2] | I; PU | IO | PIO0_1 — General purpose port 0 input/output 1. |
| | | | | | | A | ADC0_7 — ADC0 input 7. |
| | | | | | | O | SCT0_OUT4 — SCTimer0/PWM output 4. |
| PIO0_2/ADC0_6/ SCT1_OUT3 | 3 | 6 | 8 | [2] | I; PU | IO | PIO0_2 — General purpose port 0 input/output 2. |
| | | | | | | A | ADC0_6 — ADC0 input 6. |
| | | | | | | O | SCT1_OUT3 — SCTimer1/PWM output 3. |
| PIO0_3/ADC0_5/ SCT1_OUT4 | 4 | 7 | 10 | [2] | I; PU | IO | PIO0_3 — General purpose port 0 input/output 3. |
| | | | | | | A | ADC0_5 — ADC0 input 5. |
| | | | | | | O | SCT1_OUT4 — SCTimer1/PWM output 4. |
| PIO0_4/ADC0_4 | 5 | 8 | 13 | [2] | I; PU | IO | PIO0_4 — General purpose port 0 input/output 4. This is the ISP_0 boot pin for the LQFP48 package. |
| | | | | | | A | ADC0_4 — ADC0 input 4. |
| | | | | | | | |
| PIO0_5/ADC0_3 | 6 | 9 | 14 | [2] | I; PU | IO | PIO0_5 — General purpose port 0 input/output 5. |
| | | | | | | A | ADC0_3 — ADC0 input 3. |
| | | | | | | | |
| PIO0_6/ADC0_2/ SCT2_OUT3 | 7 | 10 | 16 | [2] | I; PU | IO | PIO0_6 — General purpose port 0 input/output 6. |
| | | | | | | A | ADC0_2 — ADC0 input 2. |
| | | | | | | O | SCT2_OUT3 — SCTimer2/PWM output 3. |
| PIO0_7/ADC0_1 | 8 | 11 | 17 | [2] | I; PU | IO | PIO0_7 — General purpose port 0 input/output 7. |
| | | | | | | A | ADC0_1 — ADC0 input 1. |
| | | | | | | | |

Table 3. Pin description with fixed-pin functions

| Symbol | LQFP48 | LQFP64 | LQFP100 | Reset state ^[1] | Type | Description |
|------------------------------|--------|--------|---------|----------------------------|-------|--|
| PIO0_8/ADC0_0/TDO | 9 | 12 | 19 | [2] | I; PU | IO PIO0_8 — General purpose port 0 input/output 8. In boundary scan mode: TDO (Test Data Out). |
| | | | | | A | ADC0_0 — ADC0 input 0. |
| PIO0_9/ADC1_1/TDI | 12 | 16 | 24 | [2] | I; PU | IO PIO0_9 — General purpose port 0 input/output 9. In boundary scan mode: TDI (Test Data In). |
| | | | | | A | ADC1_1 — ADC1 input 1. |
| PIO0_10/ADC1_2 | 15 | 19 | 28 | [2] | I; PU | IO PIO0_10 — General purpose port 0 input/output 10. |
| | | | | | A | ADC1_2 — ADC1 input 2. |
| PIO0_11/ADC1_3 | 18 | 23 | 33 | [2] | I; PU | IO PIO0_11 — General purpose port 0 input/output 11. On the LQFP64 package, this pin is assigned to CAN0_RD in ISP C_CAN mode. |
| | | | | | A | ADC1_3 — ADC1 input 3. |
| PIO0_12/DAC_OUT | 19 | 24 | 35 | [3] | I; PU | IO PIO0_12 — General purpose port 0 input/output 12. If this pin is configured as a digital input, the input voltage level must not be higher than V_{DDA} . |
| | | | | | A | DAC_OUT — DAC analog output. |
| PIO0_13/ADC1_6 | 21 | 29 | 43 | [2] | I; PU | IO PIO0_13 — General purpose port 0 input/output 13. On the LQFP64 package, this pin is assigned to U0_RXD in ISP USART mode. On the LQFP48 package, this pin is assigned to CAN0_RD in ISP C_CAN mode. |
| | | | | | A | ADC1_6 — ADC1 input 6. |
| PIO0_14/ADC1_7/ SCT1_OUT5 | 22 | 30 | 45 | [2] | I; PU | IO PIO0_14 — General purpose port 0 input/output 14. On the LQFP48 package, this pin is assigned to U0_RXD in ISP USART mode. |
| | | | | | A | ADC1_7 — ADC1 input 7. |
| | | | | | O | SCT1_OUT5 — SCTimer1/PWM output 5. |
| PIO0_15/ADC1_8 | 23 | 31 | 47 | [2] | I; PU | IO PIO0_15 — General purpose port 0 input/output 15. On the LQFP48 package, this pin is assigned to U0_TXD in ISP USART mode. |
| | | | | | A | ADC1_8 — ADC1 input 8. |
| PIO0_16/ADC1_9 | 24 | 32 | 49 | [2] | I; PU | IO PIO0_16 — General purpose port 0 input/output 16. On the LQFP48 package, this is the ISP_1 boot pin. |
| | | | | | A | ADC1_9 — ADC1 input 9. |
| PIO0_17/WAKEUP/ TRST | 28 | 39 | 61 | [4] | I; PU | IO PIO0_17 — General purpose port 0 input/output 17. In boundary scan mode: TRST (Test Reset). This pin triggers a wake-up from Deep power-down mode. For wake up from Deep power-down mode via an external pin, do not assign any movable function to this pin. Pull this pin HIGH externally while in Deep power-down mode. Pull this pin LOW to exit Deep power-down mode. A LOW-going pulse as short as 50 ns wakes up the part. |

Table 3. Pin description with fixed-pin functions

| Symbol | LQFP48 | LQFP64 | LQFP100 | Reset state ^[1] | Type | Description |
|-------------------------------------|--------|--------|---------|----------------------------|-------|---|
| PIO0_18/ SCT0_OUT5 | 13 | 17 | 26 | [5] | I; PU | PIO0_18 — General purpose port 0 input/output 18. On the LQFP64 package, this pin is assigned to U0_TXD in ISP USART mode. On the LQFP48 package, this pin is assigned to CAN0_TD in ISP C_CAN mode. |
| | | | | | O | SCT0_OUT5 — SCTimer0/PWM output 5. |
| SWCLK/ PIO0_19/TCK | 29 | 40 | 63 | [5] | I; PU | SWCLK — Serial Wire Clock. SWCLK is enabled by default on this pin. In boundary scan mode: TCK (Test Clock). |
| | | | | | IO | PIO0_19 — General purpose port 0 input/output 19. |
| SWDIO/ PIO0_20/SCT1_OUT6/ TMS | 33 | 44 | 69 | [5] | I; PU | SWDIO — Serial Wire Debug I/O. SWDIO is enabled by default on this pin. In boundary scan mode: TMS (Test Mode Select). |
| | | | | | I/O | PIO0_20 — General purpose port 0 input/output 20. |
| | | | | | O | SCT1_OUT6 — SCTimer1/PWM output 6. |
| RESET/PIO0_21 | 34 | 45 | 71 | [6] | I; PU | RESET — External reset input: A LOW-going pulse as short as 50 ns on this pin resets the device, causing I/O ports and peripherals to take on their default states, and processor execution to begin at address 0. In deep power-down mode, this pin must be pulled HIGH externally. The $\overline{\text{RESET}}$ pin can be left unconnected or be used as a GPIO or for any movable function if an external RESET function is not needed and the Deep power-down mode is not used. |
| | | | | | I/O | PIO0_21 — General purpose port 0 input/output 21. |
| PIO0_22/I2C0_SCL | 37 | 49 | 78 | [7] | IA | PIO0_22 — General purpose port 0 input/output 22. |
| | | | | | I/O | I2C0_SCL — I ² C-bus clock input/output. High-current sink if I ² C Fast-mode Plus is selected in the I/O configuration register. |
| PIO0_23/I2C0_SDA | 38 | 50 | 79 | [7] | IA | PIO0_23 — General purpose port 0 input/output 23. |
| | | | | | I/O | I2C0_SDA — I ² C-bus data input/output. High-current sink if I ² C Fast-mode Plus is selected in the I/O configuration register. |
| PIO0_24/SCT0_OUT6 | 43 | 58 | 90 | [8] | I; PU | PIO0_24 — General purpose port 0 input/output 24. High-current output driver. |
| | | | | | O | SCT0_OUT6 — SCTimer0/PWM output 6. |
| PIO0_25/ACMP0_I4 | 44 | 60 | 93 | [2] | I; PU | PIO0_25 — General purpose port 0 input/output 25. |
| | | | | | A | ACMP0_I4 — Analog comparator 0 input 4. |
| PIO0_26/ACMP0_I3/ SCT3_OUT3 | 45 | 61 | 95 | [2] | I; PU | PIO0_26 — General purpose port 0 input/output 26. |
| | | | | | A | ACMP0_I3 — Analog comparator 0 input 3. |
| | | | | | O | SCT3_OUT3 — SCTimer3/PWM output 3. |
| PIO0_27/ACMP_I1 | 46 | 62 | 97 | [2] | I; PU | PIO0_27 — General purpose port 0 input/output 27. |
| | | | | | A | ACMP_I1 — Analog comparator common input 1. |

Table 3. Pin description with fixed-pin functions

| Symbol | LQFP48 | LQFP64 | LQFP100 | Reset state ^[1] | Type | Description |
|--------------------------------|--------|--------|---------|----------------------------|-------|---|
| PIO0_28/ACMP1_I3 | 47 | 63 | 98 | [2] | I; PU | IO PIO0_28 — General purpose port 0 input/output 28. A ACMP1_I3 — Analog comparator 1 input 3. |
| PIO0_29/ACMP2_I3/ SCT2_OUT4 | 48 | 64 | 100 | [2] | I; PU | IO PIO0_29 — General purpose port 0 input/output 29. A ACMP2_I3 — Analog comparator 2 input 3. O SCT2_OUT4 — SCTimer2/PWM output 4. |
| PIO0_30/ADC0_11 | - | 1 | 1 | [2] | I; PU | IO PIO0_30 — General purpose port 0 input/output 30. A ADC0_11 — ADC0 input 11. |
| PIO0_31/ADC0_9 | - | 3 | 3 | [2] | I; PU | IO PIO0_31 — General purpose port 0 input/output 31. On the LQFP64 package, this pin is assigned to CAN0_TD in ISP_C_CAN mode. A ADC0_9 — ADC0 input 9. |
| PIO1_0/ADC0_8 | - | 4 | 5 | [2] | I; PU | IO PIO1_0 — General purpose port 1 input/output 0. A ADC0_8 — ADC0 input 8. |
| PIO1_1/ADC1_0 | - | 15 | 23 | [2] | I; PU | IO PIO1_1 — General purpose port 1 input/output 1. A ADC1_0 — ADC1 input 0. |
| PIO1_2/ADC1_4 | - | 25 | 36 | [2] | I; PU | IO PIO1_2 — General purpose port 1 input/output 2. A ADC1_4 — ADC1 input 4. |
| PIO1_3/ADC1_5 | - | 28 | 41 | [2] | I; PU | IO PIO1_3 — General purpose port 1 input/output 3. A ADC1_5 — ADC1 input 5. |
| PIO1_4/ADC1_10 | - | 33 | 51 | [2] | I; PU | IO PIO1_4 — General purpose port 1 input/output 4. A ADC1_10 — ADC1 input 10. |
| PIO1_5/ADC1_11 | - | 34 | 52 | [2] | I; PU | IO PIO1_5 — General purpose port 1 input/output 5. A ADC1_11 — ADC1 input 11. |
| PIO1_6/ACMP_I2 | - | 46 | 73 | [2] | I; PU | IO PIO1_6 — General purpose port 1 input/output 6. A ACMP_I2 — Analog comparator common input 2. |
| PIO1_7/ACMP3_I4 | - | 51 | 81 | [2] | I; PU | IO PIO1_7 — General purpose port 1 input/output 7. A ACMP3_I4 — Analog comparator 3 input 4. |
| PIO1_8/ACMP3_I3/ SCT3_OUT4 | - | 53 | 84 | [2] | I; PU | IO PIO1_8 — General purpose port 1 input/output 8. A ACMP3_I3 — Analog comparator 3 input 3. O SCT3_OUT4 — SCTimer3/PWM output 4. |
| PIO1_9/ACMP2_I4 | - | 54 | 85 | [2] | I; PU | IO PIO1_9 — General purpose port 1 input/output 9. On the LQFP64 package, this is the ISP_0 boot pin. A ACMP2_I4 — Analog comparator 2 input 4. |
| PIO1_10/ACMP1_I4 | - | 59 | 91 | [2] | I; PU | IO PIO1_10 — General purpose port 1 input/output 10. A ACMP1_I4 — Analog comparator 1 input 4. |
| PIO1_11 | - | 38 | 58 | [5] | I; PU | IO PIO1_11 — General purpose port 1 input/output 11. On the LQFP64 package, this is the ISP_1 boot pin. |
| PIO1_12 | - | - | 9 | [5] | I; PU | IO PIO1_12 — General purpose port 1 input/output 12. |
| PIO1_13 | - | - | 11 | [5] | I; PU | IO PIO1_13 — General purpose port 1 input/output 13. |

Table 3. Pin description with fixed-pin functions

| Symbol | LQFP48 | LQFP64 | LQFP100 | Reset state ^[1] | Type | Description |
|-------------------|--------|--------|---------|----------------------------|-------|---|
| PIO1_14/SCT0_OUT7 | - | - | 12 | [5] | I; PU | IO O PIO1_14 — General purpose port 1 input/output 14. SCT0_OUT7 — SCTimer0/PWM output 7. |
| PIO1_15 | - | - | 15 | [5] | I; PU | IO PIO1_15 — General purpose port 1 input/output 15. |
| PIO1_16 | - | - | 18 | [5] | I; PU | IO PIO1_16 — General purpose port 1 input/output 16. |
| PIO1_17/SCT1_OUT7 | - | - | 20 | [5] | I; PU | IO O PIO1_17 — General purpose port 1 input/output 17. SCT1_OUT7 — SCTimer1/PWM output 7. |
| PIO1_18 | - | - | 25 | [5] | I; PU | IO PIO1_18 — General purpose port 1 input/output 18. |
| PIO1_19 | - | - | 29 | [5] | I; PU | IO PIO1_19 — General purpose port 1 input/output 19. |
| PIO1_20/SCT2_OUT5 | - | - | 34 | [5] | I; PU | IO O PIO1_20 — General purpose port 1 input/output 20. SCT2_OUT5 — SCTimer2/PWM output 5. |
| PIO1_21 | - | - | 37 | [5] | I; PU | IO PIO1_21 — General purpose port 1 input/output 21. |
| PIO1_22 | - | - | 38 | [5] | I; PU | IO PIO1_22 — General purpose port 1 input/output 22. |
| PIO1_23 | - | - | 42 | [5] | I; PU | IO PIO1_23 — General purpose port 1 input/output 23. |
| PIO1_24/SCT3_OUT5 | - | - | 44 | [5] | I; PU | IO O PIO1_24 — General purpose port 1 input/output 24. SCT3_OUT5 — SCTimer3/PWM output 5. |
| PIO1_25 | - | - | 46 | [5] | I; PU | IO PIO1_25 — General purpose port 1 input/output 25. |
| PIO1_26 | - | - | 48 | [5] | I; PU | IO PIO1_26 — General purpose port 1 input/output 26. |
| PIO1_27 | - | - | 50 | [5] | I; PU | IO PIO1_27 — General purpose port 1 input/output 27. |
| PIO1_28 | - | - | 55 | [5] | I; PU | IO PIO1_28 — General purpose port 1 input/output 28. |
| PIO1_29 | - | - | 56 | [5] | I; PU | IO PIO1_29 — General purpose port 1 input/output 29. |
| PIO1_30 | - | - | 59 | [5] | I; PU | IO PIO1_30 — General purpose port 1 input/output 30. |
| PIO1_31 | - | - | 60 | [5] | I; PU | IO PIO1_31 — General purpose port 1 input/output 31. |
| PIO2_0 | - | - | 62 | [5] | I; PU | IO PIO2_0 — General purpose port 2 input/output 0. |
| PIO2_1 | - | - | 64 | [5] | I; PU | IO PIO2_1 — General purpose port 2 input/output 1. |
| PIO2_2 | - | - | 72 | [5] | I; PU | IO PIO2_2 — General purpose port 2 input/output 2. |
| PIO2_3 | - | - | 76 | [5] | I; PU | IO PIO2_3 — General purpose port 2 input/output 3. |
| PIO2_4 | - | - | 77 | [5] | I; PU | IO PIO2_4 — General purpose port 2 input/output 4. On the LQFP100 package, this is the ISP_1 boot pin. |
| PIO2_5 | - | - | 80 | [5] | I; PU | IO PIO2_5 — General purpose port 2 input/output 5. On the LQFP100 package, this is the ISP_0 boot pin. |
| PIO2_6 | - | - | 82 | [5] | I; PU | IO PIO2_6 — General purpose port 2 input/output 6. On the LQFP100 package, this pin is assigned to U0_TXD in ISP USART mode. |
| PIO2_7 | - | - | 86 | [5] | I; PU | IO PIO2_7 — General purpose port 2 input/output 7. On the LQFP100 package, this pin is assigned to U0_RXD in ISP USART mode. |
| PIO2_8 | - | - | 92 | [5] | I; PU | IO PIO2_8 — General purpose port 2 input/output 8. On the LQFP100 package, this pin is assigned to CAN0_TD in ISP C_CAN mode. |

Table 3. Pin description with fixed-pin functions

| Symbol | LQFP48 | LQFP64 | LQFP100 | Reset state ^[1] | Type | Description | |
|------------------|------------------|--------------------------------|--------------------------------------|----------------------------|-------|-------------|--|
| PIO2_9 | - | - | 94 | [5] | I; PU | IO | PIO2_9 — General purpose port 2 input/output 9. On the LQFP100 package, this pin is assigned to CAN0_RD in ISP C_CAN mode. |
| PIO2_10 | - | - | 96 | [5] | I; PU | IO | PIO2_10 — General purpose port 2 input/output 10. |
| PIO2_11 | - | - | 99 | [5] | I; PU | IO | PIO2_11 — General purpose port 2 input/output 11. |
| PIO2_12 | 35 | 47 | 74 | [5] | I; PU | IO | PIO2_12 — General purpose port 2 input/output 12. On parts LPC1519/17/18 only. |
| PIO2_13 | 36 | 48 | 75 | [5] | I; PU | IO | PIO2_13 — General purpose port 2 input/output 13. On parts LPC1519/17/18 only. |
| USB_DP | 35 | 47 | 74 | [10] | - | IO | USB bidirectional D+ line. Pad includes internal 33 Ω series termination resistor. On parts LPC1549/48/47 only. |
| USB_DM | 36 | 48 | 75 | [10] | - | IO | USB bidirectional D- line. Pad includes internal 33 Ω series termination resistor. On parts LPC1549/48/47 only. |
| RTCXIN | 31 | 42 | 66 | [9] | - | | RTC oscillator input. This input should be grounded if the RTC is not used. |
| RTCXOUT | 32 | 43 | 67 | [9] | - | | RTC oscillator output. |
| XTALIN | 26 | 36 | 54 | [9] | - | | Input to the oscillator circuit and internal clock generator circuits. Input voltage must not exceed 1.8 V. |
| XTALOUT | 25 | 35 | 53 | [9] | - | | Output from the oscillator amplifier. |
| VBAT | 30 | 41 | 65 | - | | | Battery supply voltage. If no battery is used, tie VBAT to VDD or to ground. |
| V _{DDA} | 16 | 20 | 30 | - | | | Analog supply voltage. V _{DD} and the analog reference voltages VREFP_ADC and VREFP_DAC_VDDCMP must not exceed the voltage level on V _{DDA} . V _{DDA} should typically be the same voltages as V _{DD} but should be isolated to minimize noise and error. V _{DDA} should be tied to V _{DD} if the ADC is not used. |
| V _{DD} | 39, 27, 42 | 22, 52, 37, 70, 57 | 4, 32, 70, 83, 57, 89 | - | | | 3.3 V supply voltage (2.4 V to 3.6 V). The voltage level on V _{DD} must be equal or lower than the analog supply voltage V _{DDA} . |
| VREFP_DAC_VDDCMP | 14 | 18 | 27 | [9] | - | | DAC positive reference voltage and analog comparator reference voltage. The voltage level on VREFP_DAC_VDDCMP must be equal to or lower than the voltage applied to V _{DDA} . |
| VREFN | 11 | 14 | 22 | - | | | ADC and DAC negative voltage reference. If the ADC is not used, tie VREFN to V _{SS} . |

Table 3. Pin description with fixed-pin functions

| Symbol | LQFP48 | LQFP64 | LQFP100 | Reset state ^[1] | Type | Description |
|------------------|------------------|-------------------------|--------------------------------------|----------------------------|------|--|
| VREFP_ADC | 10 | 13 | 21 | - | | ADC positive reference voltage. The voltage level on VREFP_ADC must be equal to or lower than the voltage applied to V _{DDA} . If the ADC is not used, tie VREFP_ADC to V _{DD} . |
| V _{SSA} | 17 | 21 | 31 | - | | Analog ground. V _{SSA} should typically be the same voltage as V _{SS} but should be isolated to minimize noise and error. V _{SSA} should be tied to V _{SS} if the ADC is not used. |
| V _{SS} | 41, 20, 40 | 56, 26, 27, 55 | 88, 7, 39, 40, 68, 87 | - | | Ground. |

- [1] Pin state at reset for default function: I = Input; O = Output; PU = internal pull-up enabled; IA = inactive, no pull-up/down enabled; F = floating; If the pins are not used, tie floating pins to ground or power to minimize power consumption.
- [2] 5 V tolerant pad providing digital I/O functions with configurable pull-up/pull-down resistors, configurable hysteresis, and analog input. When configured as analog input, digital section of the pad is disabled and the pin is not 5 V tolerant. This pin includes a 10 ns on/off glitch filter. By default, the glitch filter is turned on.
- [3] This pin is not 5 V tolerant due to special analog functionality. When configured for a digital function, this pin is 3 V tolerant and provides standard digital I/O functions with configurable internal pull-up and pull-down resistors and hysteresis. When configured for DAC_OUT, the digital section of the pin is disabled and this pin is a 3 V tolerant analog output. This pin includes a 10 ns on/off glitch filter. By default, the glitch filter is turned on.
- [4] 5 V tolerant pad providing digital I/O functions with configurable pull-up/pull-down resistors, and configurable hysteresis. This pin includes a 10 ns on/off glitch filter. By default, the glitch filter is turned on. This pin is powered in deep power-down mode and can wake up the part.
- [5] 5 V tolerant pad providing digital I/O functions with configurable pull-up/pull-down resistors and configurable hysteresis.
- [6] 5 V tolerant pad. $\overline{\text{RESET}}$ functionality is not available in Deep power-down mode. Use the WAKEUP pin to reset the chip and wake up from Deep power-down mode. An external pull-up resistor is required on this pin for the Deep power-down mode.
- [7] I²C-bus pins compliant with the I²C-bus specification for I²C standard mode, I²C Fast-mode, and I²C Fast-mode Plus.
- [8] 5 V tolerant pad providing digital I/O functions with configurable pull-up/pull-down resistors and configurable hysteresis; includes high-current output driver.
- [9] Special analog pin.
- [10] Pad provides USB functions. It is designed in accordance with the USB specification, revision 2.0 (Full-speed and Low-speed mode only). This pad is not 5 V tolerant.

Table 4. Movable functions

| Function name | Type | Description |
|-----------------------------|------|---|
| U0_TXD | O | Transmitter output for USART0. |
| U0_RXD | I | Receiver input for USART0. |
| $\overline{\text{U0_RTS}}$ | O | Request To Send output for USART0. |
| $\overline{\text{U0_CTS}}$ | I | Clear To Send input for USART0. |
| U0_SCLK | I/O | Serial clock input/output for USART0 in synchronous mode. |
| U1_TXD | O | Transmitter output for USART1. |
| U1_RXD | I | Receiver input for USART1. |
| $\overline{\text{U1_RTS}}$ | O | Request To Send output for USART1. |

Table 4. Movable functions ...continued

| Function name | Type | Description |
|---------------|------|---|
| U1_CTS | I | Clear To Send input for USART1. |
| U1_SCLK | I/O | Serial clock input/output for USART1 in synchronous mode. |
| U2_TXD | O | Transmitter output for USART2. |
| U2_RXD | I | Receiver input for USART2. |
| U2_SCLK | I/O | Serial clock input/output for USART1 in synchronous mode. |
| SPI0_SCK | I/O | Serial clock for SPI0. |
| SPI0_MOSI | I/O | Master Out Slave In for SPI0. |
| SPI0_MISO | I/O | Master In Slave Out for SPI0. |
| SPI0_SSEL0 | I/O | Slave select 0 for SPI0. |
| SPI0_SSEL1 | I/O | Slave select 1 for SPI0. |
| SPI0_SSEL2 | I/O | Slave select 2 for SPI0. |
| SPI0_SSEL3 | I/O | Slave select 3 for SPI0. |
| SPI1_SCK | I/O | Serial clock for SPI1. |
| SPI1_MOSI | I/O | Master Out Slave In for SPI1. |
| SPI1_MISO | I/O | Master In Slave Out for SPI1. |
| SPI1_SSEL0 | I/O | Slave select 0 for SPI1. |
| SPI1_SSEL1 | I/O | Slave select 1 for SPI1. |
| CAN0_TD | O | CAN0 transmit. |
| CAN0_RD | I | CAN0 receive. |
| USB_VBUS | I | USB VBUS. |
| SCT0_OUT0 | O | SCTimer0/PWM output 0. |
| SCT0_OUT1 | O | SCTimer0/PWM output 1. |
| SCT0_OUT2 | O | SCTimer0/PWM output 2. |
| SCT1_OUT0 | O | SCTimer1/PWM output 0. |
| SCT1_OUT1 | O | SCTimer1/PWM output 1. |
| SCT1_OUT2 | O | SCTimer1/PWM output 2. |
| SCT2_OUT0 | O | SCTimer2/PWM output 0. |
| SCT2_OUT1 | O | SCTimer2/PWM output 1. |
| SCT2_OUT2 | O | SCTimer2/PWM output 2. |
| SCT3_OUT0 | O | SCTimer3/PWM output 0. |
| SCT3_OUT1 | O | SCTimer3/PWM output 1. |
| SCT3_OUT2 | O | SCTimer3/PWM output 2. |
| SCT_ABORT0 | I | SCT abort 0. |
| SCT_ABORT1 | I | SCT abort 1. |
| ADC0_PINTRIG0 | I | ADC0 external pin trigger input 0. |
| ADC0_PINTRIG1 | I | ADC0 external pin trigger input 1. |
| ADC1_PINTRIG0 | I | ADC1 external pin trigger input 0. |
| ADC1_PINTRIG1 | I | ADC1 external pin trigger input 1. |
| DAC_PINTRIG | I | DAC external pin trigger input. |
| DAC_SHUTOFF | I | DAC shut-off external input. |
| ACMP0_O | O | Analog comparator 0 output. |

Table 4. Movable functions ...continued

| Function name | Type | Description |
|---------------|------|---|
| ACMP1_O | O | Analog comparator 1 output. |
| ACMP2_O | O | Analog comparator 2 output. |
| ACMP3_O | O | Analog comparator 3 output. |
| CLKOUT | O | Clock output. |
| ROSC | O | Analog comparator ring oscillator output. |
| ROSC_RESET | I | Analog comparator ring oscillator reset. |
| USB_FTOGGLE | O | USB frame toggle. Do not assign this function to a pin until a USB device is connected and the first SOF interrupt has been received by the device. |
| QE1_PHA | I | QE1 phase A input. |
| QE1_PHB | I | QE1 phase B input. |
| QE1_IDX | I | QE1 index input. |
| GPIO_INT_BMAT | O | Output of the pattern match engine. |
| SWO | O | Serial wire output. |

Table 5. Pins connected to the INPUT MUX and SCT IPU

| Symbol | | | | Description |
|--------------------------|--------|--------|---------|---|
| | LQFP48 | LQFP64 | LQFP100 | |
| PIO0_2/ADC0_6/SCT1_OUT3 | 3 | 6 | 8 | SCT0 input mux |
| PIO0_3/ADC0_5/SCT1_OUT4 | 4 | 7 | 10 | SCT0 input mux |
| PIO0_4/ADC0_4 | 5 | 8 | 13 | SCT2 input mux |
| PIO0_5/ADC0_3 | 6 | 9 | 14 | FREQMEAS |
| PIO0_7/ADC0_1 | 8 | 11 | 17 | SCT3 input mux |
| PIO0_14/ADC1_7/SCT1_OUT5 | 22 | 30 | 45 | SCTIPU input SAMPLE_IN_A0 |
| PIO0_15/ADC1_8 | 23 | 31 | 47 | SCT1 input mux |
| PIO0_16/ADC1_9 | 24 | 32 | 49 | SCT1 input mux |
| PIO0_17/WAKEUP/TRST | 28 | 39 | 61 | SCT0 input mux |
| SWCLK/PIO0_19/TCK | 29 | 40 | 63 | FREQMEAS |
| RESET/PIO0_21 | 34 | 45 | 71 | SCT1 input mux |
| PIO0_25/ACMP0_I4 | 44 | 60 | 93 | SCTIPU input SAMPLE_IN_A1 |
| PIO0_27/ACMP_I1 | 46 | 62 | 97 | SCT2 input mux |
| PIO0_30/ADC0_11 | - | 1 | 1 | FREQMEAS SCT0 input mux |
| PIO0_31/ADC0_9 | - | 3 | 3 | SCT1 input mux |
| PIO1_4/ADC1_10 | - | 33 | 51 | SCT1 input mux |
| PIO1_5/ADC1_11 | - | 34 | 52 | SCT1 input mux |
| PIO1_6/ACMP_I2 | - | 46 | 73 | SCT0 input mux |
| PIO1_7/ACMP3_I4 | - | 51 | 81 | SCT0 input mux |
| PIO1_11 | - | 38 | 58 | SCT3 input mux SCTIPU input SAMPLE_IN_A2 |

Table 5. Pins connected to the INPUT MUX and SCT IPU

| Symbol | LQFP48 | LQFP64 | LQFP100 | Description |
|---------|--------|--------|---------|---------------------------|
| PIO1_12 | - | - | 9 | SCT0 input mux |
| PIO1_13 | - | - | 11 | SCT0 input mux |
| PIO1_15 | - | - | 12 | SCT1 input mux |
| PIO1_16 | - | - | 18 | SCT1 input mux |
| PIO1_18 | - | - | 25 | SCT2 input mux |
| PIO1_19 | - | - | 29 | SCT2 input mux |
| PIO1_21 | - | - | 37 | SCT3 input mux |
| PIO1_22 | - | - | 38 | SCT3 input mux |
| PIO1_26 | - | - | 48 | SCTIPU input SAMPLE_IN_A3 |
| PIO1_27 | - | - | 50 | FREQMEAS |

8. Functional description

8.1 ARM Cortex-M3 processor

The ARM Cortex-M3 is a general purpose, 32-bit microprocessor, which offers high performance and very low power consumption. The ARM Cortex-M3 offers many new features, including a Thumb-2 instruction set, low interrupt latency, hardware division, hardware single-cycle multiply, interruptible/continuable multiple load and store instructions, automatic state save and restore for interrupts, tightly integrated interrupt controller, and multiple core buses capable of simultaneous accesses.

Pipeline techniques are employed so that all parts of the processing and memory systems can operate continuously. Typically, while one instruction is being executed, its successor is being decoded, and a third instruction is being fetched from memory.

The ARM Cortex-M3 processor is described in detail in the *Cortex-M3 Technical Reference Manual*, which is available on the official ARM website.

8.2 Memory Protection Unit (MPU)

The LPC15xx have a Memory Protection Unit (MPU) which can be used to improve the reliability of an embedded system by protecting critical data within the user application.

The MPU allows separating processing tasks by disallowing access to each other's data, disabling access to memory regions, allowing memory regions to be defined as read-only and detecting unexpected memory accesses that could potentially break the system.

The MPU separates the memory into distinct regions and implements protection by preventing disallowed accesses. The MPU supports up to eight regions each of which can be divided into eight subregions. Accesses to memory locations that are not defined in the MPU regions, or not permitted by the region setting, will cause the Memory Management Fault exception to take place.

8.3 On-chip flash programming memory

The LPC15xx contain up to 256 kB on-chip flash program memory. The flash can be programmed using In-System Programming (ISP) or In-Application Programming (IAP) via the on-chip boot loader software. Flash updates via USB are supported as well.

The flash memory is divided into 4 kB sectors with each sector consisting of 16 pages. Individual pages of 256 byte each can be erased using the IAP erase page command.

8.3.1 ISP pin configuration

The LPC15xx supports ISP via the USART0, C_CAN, or USB interfaces. The ISP mode is determined by the state of two pins (ISP_0 and ISP_1) at boot time:

Table 6. ISP modes

| Boot mode | ISP_0 | ISP_1 | Description |
|-----------|-------|-------|--|
| No ISP | HIGH | HIGH | ISP bypassed. Part attempts to boot from flash. If the user code in flash is not valid, then enters ISP via USB. |
| C_CAN | HIGH | LOW | Part enters ISP via C_CAN. |
| USB | LOW | HIGH | Part enters ISP via USB. |
| USART0 | LOW | LOW | Part enters ISP via USART0. |

The ISP pin assignment is different for each package, so that the fewest functions possible are blocked. No more than four pins must be set aside for entering ISP in any ISP mode. The boot code assigns two ISP pins for each package, which are probed when the part boots to determine whether or not to enter ISP mode. Once the ISP mode has been determined, the boot loader configures the necessary serial pins for each package.

Pins which are not configured by the boot loader for the selected boot mode (for example CAN0_RD and CAN0_TD in USART mode) can be assigned to any function through the switch matrix.

Table 7. Pin assignments for ISP modes

| Boot pin | LQFP48 | LQFP64 | LQFP100 |
|--------------------------|---------|---------|---------|
| ISP_0 | PIO0_4 | PIO1_9 | PIO2_5 |
| ISP_1 | PIO0_16 | PIO1_11 | PIO2_4 |
| USART mode | | | |
| U0_TXD | PIO0_15 | PIO0_18 | PIO2_6 |
| U0_RXD | PIO0_14 | PIO0_13 | PIO2_7 |
| C_CAN mode | | | |
| CAN0_TD | PIO0_18 | PIO0_31 | PIO2_8 |
| CAN0_RD | PIO0_13 | PIO0_11 | PIO2_9 |
| USB mode | | | |
| USB_VBUS (same as ISP_1) | PIO0_16 | PIO1_11 | PIO2_4 |

8.4 EEPROM

The LPC15xx contain 4 kB of on-chip byte-erasable and byte-programmable EEPROM data memory. The EEPROM can be programmed using In-Application Programming (IAP) via the on-chip boot loader software.

8.5 SRAM

The LPC15xx contain a total 36 kB, 20 kB or 12 kB of contiguous, on-chip static RAM memory. For each SRAM configuration, the SRAM is divided into three blocks: 2 x 16 kB + 4 kB for 36 kB SRAM, 2 x 8 kB + 4 kB for 20 kB SRAM, and 2 x 4 kB + 4 kB for 12 kB SRAM. The bottom 16 kB, 8 kB, or 4 kB are enabled by the bootloader and cannot be disabled. The next two SRAM blocks in each configuration can be disabled or enabled individually in the SYSCON block to save power.

Table 8. LPC15xx SRAM configurations

| | SRAM0 | SRAM1 | SRAM2 |
|--|-------------------------------|-------------------------------|-------------------------------|
| LPC1549/19 (total SRAM = 36 kB) | | | |
| address range | 0x0200 0000 to 0x0200 3FFF | 0x0200 4000 to 0x0200 7FFF | 0x0200 8000 to 0x0200 8FFF |
| size | 16 kB | 16 kB | 4 kB |
| control | cannot be disabled | disable/enable | disable/enable |
| default | enabled | enabled | enabled |
| LPC1548/18 (total SRAM = 20 kB) | | | |
| address range | 0x0200 0000 to 0x0200 1FFF | 0x0200 2000 to 0x0200 3FFF | 0x0200 4000 to 0x0200 4FFF |
| size | 8 kB | 8 kB | 4 kB |
| control | cannot be disabled | disable/enable | disable/enable |
| default | enabled | enabled | enabled |
| LPC1547/17 (total SRAM = 12 kB) | | | |
| address range | 0x0200 0000 to 0x0200 0FFF | 0x0200 1000 to 0x0200 1FFF | 0x0200 2000 to 0x0200 2FFF |
| size | 4 kB | 4 kB | 4 kB |
| control | cannot be disabled | disable/enable | disable/enable |
| default | enabled | enabled | enabled |

8.6 On-chip ROM

The on-chip ROM contains the boot loader and the following Application Programming Interfaces (APIs):

- In-System Programming (ISP) and In-Application Programming (IAP) support for flash including IAP erase page command.
- IAP support for EEPROM.
- Flash updates via USB and C_CAN supported.
- USB API (HID, CDC, and MSC drivers).
- DMA, I2C, USART, SPI, and C_CAN drivers.
- Power profiles for configuring power consumption and PLL settings.
- Power mode configuration for configuring deep-sleep, power-down, and deep power-down modes.
- ADC drivers for analog-to-digital conversion and ADC calibration.

8.7 AHB multilayer matrix

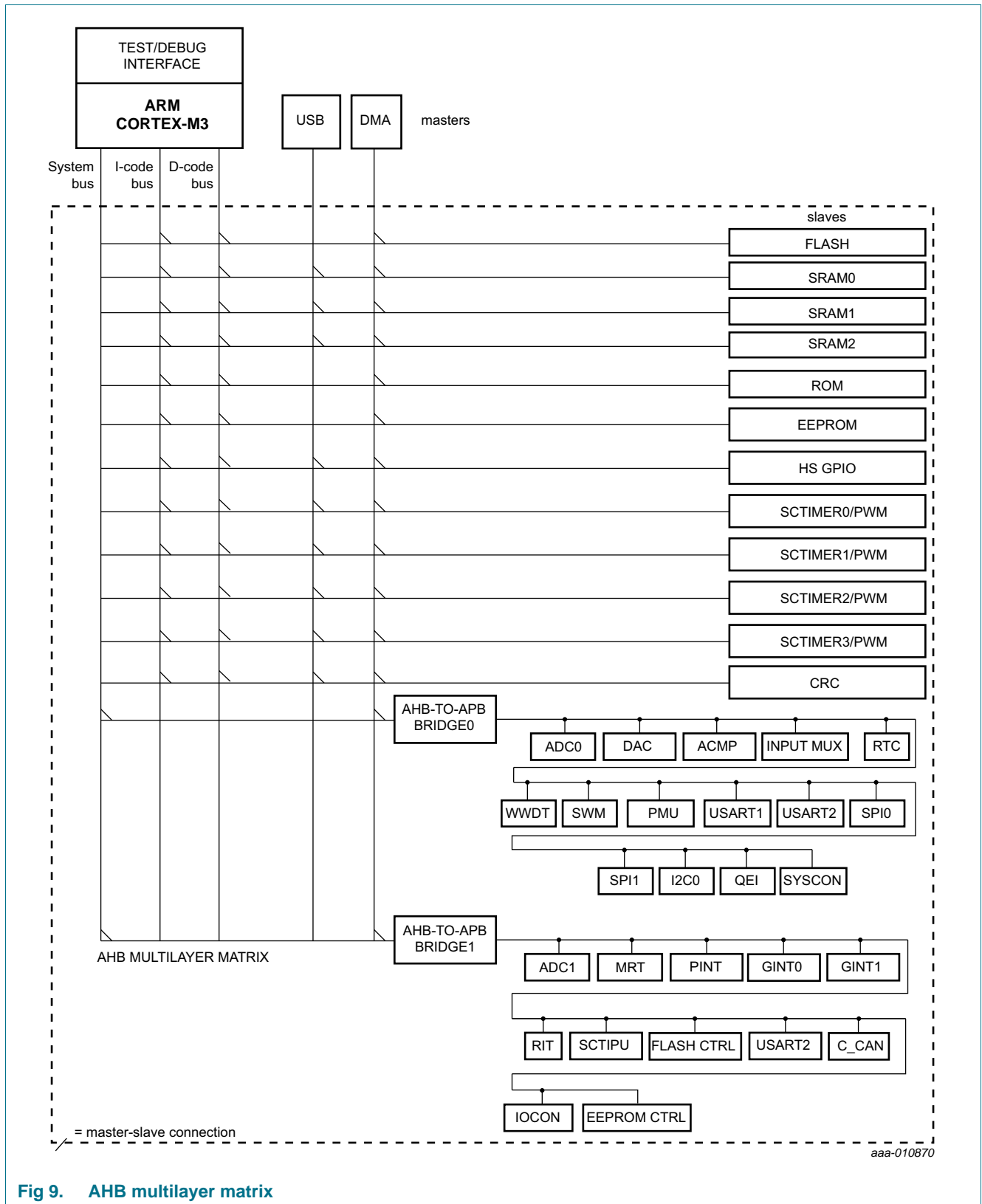
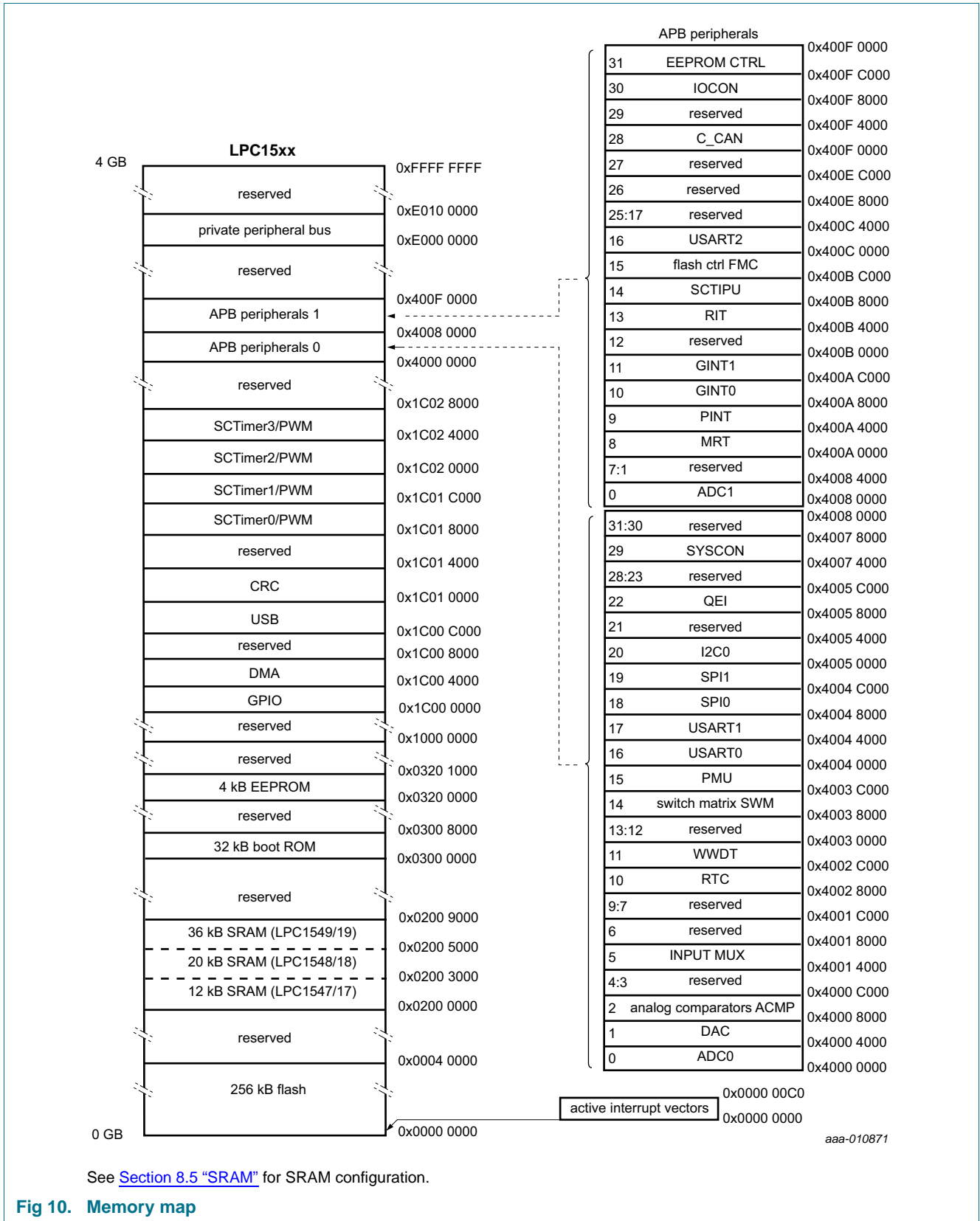


Fig 9. AHB multilayer matrix

8.8 Memory map



See Section 8.5 "SRAM" for SRAM configuration.

Fig 10. Memory map

8.9 Nested Vectored Interrupt controller (NVIC)

The Nested Vectored Interrupt Controller (NVIC) is part of the Cortex-M3. The tight coupling to the CPU allows for low interrupt latency and efficient processing of late arriving interrupts.

8.9.1 Features

- Nested Vectored Interrupt Controller that is an integral part of the ARM Cortex-M3.
- Tightly coupled interrupt controller provides low interrupt latency.
- Controls system exceptions and peripheral interrupts.
- The NVIC supports 47 vectored interrupts.
- Eight programmable interrupt priority levels with hardware priority level masking.
- Software interrupt generation using the ARM exceptions SVCALL and PENDSV.
- Support for NMI.
- ARM Cortex-M3 Vector table offset register VTOR implemented.

8.9.2 Interrupt sources

Typically, each peripheral device has one interrupt line connected to the NVIC but can have several interrupt flags. Individual interrupt flags can also represent more than one interrupt source.

8.10 IOCON block

The IOCON block configures the electrical properties of the pins such as pull-up and pull-down resistors, hysteresis, open-drain modes and input filters.

Remark: The pin function and whether the pin operates in digital or analog mode are entirely under the control of the switch matrix.

Enabling an analog function through the switch matrix disables the digital pad. However, the internal pull-up and pull-down resistors as well as the pin hysteresis must be disabled to obtain an accurate reading of the analog input.

8.10.1 Features

- Programmable pull-up, pull-down, or repeater mode.
- All pins (except PIO0_22 and PIO0_23) are pulled up to 3.3 V ($V_{DD} = 3.3\text{ V}$) if their pull-up resistor is enabled.
- Programmable pseudo open-drain mode.
- Programmable (on/off) 10 ns glitch filter on 36 pins (PIO0_0 to PIO0_17, PIO0_25 to PIO0_31, PIO1_0 to PIO1_10). The glitch filter is turned on by default.
- Programmable hysteresis.
- Programmable input inverter.
- Digital filter with programmable filter constant on all pins.

8.10.2 Standard I/O pad configuration

[Figure 11](#) shows the possible pin modes for standard I/O pins with analog input function:

- Digital output driver with configurable open-drain output
- Digital input: Weak pull-up resistor (PMOS device) enabled/disabled
- Digital input: Weak pull-down resistor (NMOS device) enabled/disabled
- Digital input: Repeater mode enabled/disabled
- Digital input: Input digital filter configurable on all pins
- Digital input: Input glitch filter enabled/disabled on select pins
- Analog input

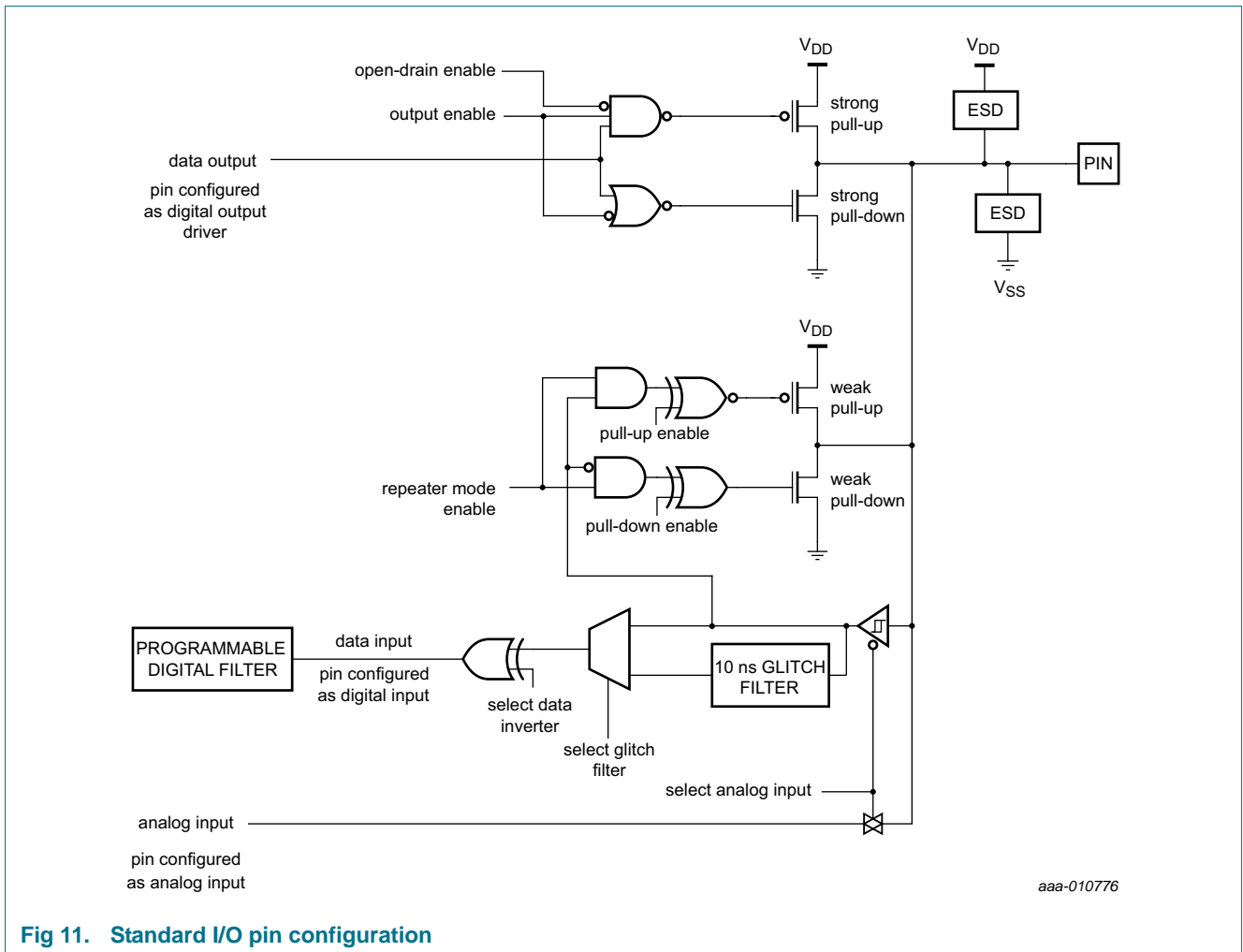


Fig 11. Standard I/O pin configuration

8.11 Switch Matrix (SWM)

The switch matrix controls the function of each digital or mixed analog/digital pin in a highly flexible way by allowing to connect many functions like the USART, SPI, SCT, and I2C functions to any pin that is not power or ground. These functions are called movable functions and are listed in [Table 4](#).

Functions that need specialized pads like the ADC or analog comparator inputs can be enabled or disabled through the switch matrix. These functions are called fixed-pin functions and cannot move to other pins. The fixed-pin functions are listed in [Table 3](#). If a fixed-pin function is disabled, any other movable function can be assigned to this pin.

8.12 Fast General-Purpose parallel I/O (GPIO)

Device pins that are not connected to a specific peripheral function through the switch matrix are controlled by the GPIO registers. Pins may be dynamically configured as inputs or outputs. Multiple outputs can be set or cleared in one write operation.

LPC15xx use accelerated GPIO functions.

- An entire port value can be written in one instruction.
- Mask, set, and clear operations are supported for the entire port.

8.12.1 Features

- Bit level port registers allow a single instruction to set and clear any number of bits in one write operation.
- Direction control of individual bits.

8.13 Pin interrupt/pattern match engine (PINT)

The pin interrupt block configures up to eight pins from the digital pins on ports 1 and 2 for providing eight external interrupts connected to the NVIC. The input mux block is used to select the pins.

The pattern match engine can be used, in conjunction with software, to create complex state machines based on pin inputs.

Any digital pin on ports 0 and 1 can be configured through the SYSCON block as input to the pin interrupt or pattern match engine. The registers that control the pin interrupt or pattern match engine are located on the IO+ bus for fast single-cycle access.

8.13.1 Features

- Pin interrupts
 - Up to eight pins can be selected from all digital pins on ports 0 and 1 as edge- or level-sensitive interrupt requests. Each request creates a separate interrupt in the NVIC.
 - Edge-sensitive interrupt pins can interrupt on rising or falling edges or both.
 - Level-sensitive interrupt pins can be HIGH- or LOW-active.
 - Pin interrupts can wake up the part from sleep mode, deep-sleep mode, and power-down mode.
- Pin interrupt pattern match engine
 - Up to 8 pins can be selected from all digital pins on ports 0 and 1 to contribute to a boolean expression. The boolean expression consists of specified levels and/or transitions on various combinations of these pins.
 - Each minterm (product term) comprising the specified boolean expression can generate its own, dedicated interrupt request.
 - Any occurrence of a pattern match can be programmed to also generate an RXEV notification to the ARM CPU.
 - The pattern match engine does not facilitate wake-up.

8.14 GPIO group interrupts (GINT0/1)

The GPIO pins can be used in several ways to set pins as inputs or outputs and use the inputs as combinations of level and edge sensitive interrupts. For each port/pin connected to one of the two the GPIO Grouped Interrupt blocks (GINT0 and GINT1), the GPIO grouped interrupt registers determine which pins are enabled to generate interrupts and what the active polarities of each of those inputs are.

The GPIO grouped interrupt registers also select whether the interrupt output will be level or edge triggered and whether it will be based on the OR or the AND of all of the enabled inputs.

When the designated pattern is detected on the selected input pins, the GPIO grouped interrupt block generates an interrupt. If the part is in a power-savings mode, it first asynchronously wakes the part up prior to asserting the interrupt request. The interrupt request line can be cleared by writing a one to the interrupt status bit in the control register.

8.14.1 Features

- Two group interrupts are supported to reflect two distinct interrupt patterns.
- The inputs from any number of digital pins can be enabled to contribute to a combined group interrupt.
- The polarity of each input enabled for the group interrupt can be configured HIGH or LOW.
- Enabled interrupts can be logically combined through an OR or AND operation.
- The grouped interrupts can wake up the part from sleep, deep-sleep or power-down modes.

8.15 DMA controller

The DMA controller can access all memories and the USART, SPI, I2C, and DAC peripherals using DMA requests. DMA transfers can also be triggered by internal events like the ADC interrupts, the SCT DMA request signals, or the analog comparator outputs.

8.15.1 Features

- 18 channels with 14 channels connected to peripheral request inputs.
- DMA operations can be triggered by on-chip events. Each DMA channel can select one trigger input from 24 sources through the input mux.
- Priority is user selectable for each channel.
- Continuous priority arbitration.
- Address cache with four entries.
- Efficient use of data bus.
- Supports single transfers up to 1,024 words.
- Address increment options allow packing and/or unpacking data.

8.16 Input multiplexing (Input mux)

The input mux allows to select from multiple external and internal sources for the SCT inputs, DMA trigger inputs, and the frequency measure block. The input mux is implemented as a register interface with one source selection register for each input. The input mux can for example connect SCT outputs, the ADC interrupts, or the comparator outputs to the SCT inputs and thus enables the SCT to use a large variety of events to control the timing operation.

The ADCs and analog comparators also support input multiplexing using source selection registers as part of their configuration registers.

8.17 USB interface

Remark: The USB interface is available on parts LPC1549/48/47 only.

The Universal Serial Bus (USB) is a 4-wire bus that supports communication between a host and one or more (up to 127) peripherals. The host controller allocates the USB bandwidth to attached devices through a token-based protocol. The bus supports hot-plugging and dynamic configuration of the devices. All transactions are initiated by the host controller.

The USB interface consists of a full-speed device controller with on-chip PHY (PHYSical layer) for device functions.

Remark: Configure the part in default power mode with the power profiles before using the USB (see [Section 8.40.1](#)). Do not use the USB when the part runs in performance, efficiency, or low-power mode.

8.17.1 Full-speed USB device controller

The device controller enables 12 Mbit/s data exchange with a USB Host controller. It consists of a register interface, serial interface engine, and endpoint buffer memory. The serial interface engine decodes the USB data stream and writes data to the appropriate endpoint buffer. The status of a completed USB transfer or error condition is indicated via status registers. An interrupt is also generated if enabled.

8.17.1.1 Features

- Dedicated USB PLL available.
- Fully compliant with *USB 2.0 specification (full speed)*.
- Supports 10 physical (5 logical) endpoints including one control endpoint.
- Single and double buffering supported.
- Each non-control endpoint supports bulk, interrupt, or isochronous endpoint types.
- Supports wake-up from Deep-sleep mode and Power-down mode on USB activity and remote wake-up.
- Supports SoftConnect functionality through internal pull-up resistor.
- Internal 33 Ω series termination resistors on USB_DP and USB_DM lines eliminate the need for external series resistors.
- Supports Link Power Management (LPM).

8.18 USART0/1/2

Remark: All USART functions are movable functions and are assigned to pins through the switch matrix. Do not connect USART functions to the open-drain pins PIO0_22 and PIO0_23.

Interrupts generated by the USART peripherals can wake up the part from Deep-sleep and power-down modes if the USART is in synchronous mode, the 32 kHz mode is enabled, or the CTS interrupt is enabled.

8.18.1 Features

- Maximum bit rates of 4.5 Mbit/s in asynchronous mode, 15 Mbit/s in synchronous mode master mode, and 18 Mbit/s in synchronous slave mode.
- 7, 8, or 9 data bits and 1 or 2 stop bits.
- Synchronous mode with master or slave operation. Includes data phase selection and continuous clock option.
- Multiprocessor/multidrop (9-bit) mode with software address compare.
- RS-485 transceiver output enable.
- Autobaud mode for automatic baud rate detection
- Parity generation and checking: odd, even, or none.
- Software selectable oversampling from 5 to 16 clocks in asynchronous mode.
- One transmit and one receive data buffer.
- RTS/CTS for hardware signaling for automatic flow control. Software flow control can be performed using Delta CTS detect, Transmit Disable control, and any GPIO as an RTS output.
- Received data and status can optionally be read from a single register
- Break generation and detection.
- Receive data is 2 of 3 sample "voting". Status flag set when one sample differs.
- Built-in Baud Rate Generator with auto-baud function.
- A fractional rate divider is shared among all USARTs.
- Interrupts available for Receiver Ready, Transmitter Ready, Receiver Idle, change in receiver break detect, Framing error, Parity error, Overrun, Underrun, Delta CTS detect, and receiver sample noise detected.
- Loopback mode for testing of data and flow control.
- In synchronous slave mode, wakes up the part from deep-sleep and power-down modes.
- Special operating mode allows operation at up to 9600 baud using the 32 kHz RTC oscillator as the UART clock. This mode can be used while the device is in Deep-sleep or Power-down mode and can wake-up the device when a character is received.
- USART transmit and receive functions work with the system DMA controller.

8.19 SPI0/1

All SPI functions are movable functions and are assigned to pins through the switch matrix. Do not connect SPI functions to the open-drain pins PIO0_22 and PIO0_23.

8.19.1 Features

- Maximum data rates of 17 Mbit/s in master mode and slave mode for SPI functions connected to all digital pins except PIO0_22 and PIO0_23.
- Data transmits of 1 to 16 bits supported directly. Larger frames supported by software.
- Master and slave operation.
- Data can be transmitted to a slave without the need to read incoming data. This can be useful while setting up an SPI memory.
- Control information can optionally be written along with data. This allows very versatile operation, including “any length” frames.
- Up to four Slave Select input/outputs with selectable polarity and flexible usage.
- Supports DMA transfers: SPIn transmit and receive functions work with the system DMA controller.

Remark: Texas Instruments SSI and National Microwire modes are not supported.

8.20 I²C-bus interface

The I²C-bus is bidirectional for inter-IC control using only two wires: a serial clock line (SCL) and a serial data line (SDA). Each device is recognized by a unique address and can operate as either a receiver-only device (e.g., an LCD driver) or a transmitter with the capability to both receive and send information (such as memory). Transmitters and/or receivers can operate in either master or slave mode, depending on whether the chip has to initiate a data transfer or is only addressed. The I²C is a multi-master bus and can be controlled by more than one bus master connected to it.

The I²C-bus functions are fixed-pin functions and must be enabled through the switch matrix on the open-drain pins PIO0_22 and PIO0_23.

8.20.1 Features

- Supports standard and fast mode with data rates of up to 400 kbit/s.
- Supports Fast-mode Plus with bit rates up to 1 Mbit/s.
- Fail-safe operation: When the power to an I²C-bus device is switched off, the SDA and SCL pins connected to the I²C-bus are floating and do not disturb the bus.
- Independent Master, Slave, and Monitor functions.
- Supports both Multi-master and Multi-master with Slave functions.
- Multiple I²C slave addresses supported in hardware.
- One slave address can be selectively qualified with a bit mask or an address range in order to respond to multiple I²C bus addresses.
- 10-bit addressing supported with software assist.
- Supports SMBus.
- Supported by on-chip ROM API.

8.21 C_CAN

Controller Area Network (CAN) is the definition of a high performance communication protocol for serial data communication. The C_CAN controller is designed to provide a full implementation of the CAN protocol according to the CAN Specification Version 2.0B. The C_CAN controller can build powerful local networks with low-cost multiplex wiring by supporting distributed real-time control with a high level of reliability.

The C_CAN functions are movable functions and are assigned to pins through the switch matrix. Do not connect C_CAN functions to the open-drain pins PIO0_22 and PIO0_23.

8.21.1 Features

- Conforms to protocol version 2.0 parts A and B.
- Supports bit rate of up to 1 Mbit/s.
- Supports 32 Message Objects.
- Each Message Object has its own identifier mask.
- Provides programmable FIFO mode (concatenation of Message Objects).
- Provides maskable interrupts.
- Supports Disabled Automatic Retransmission (DAR) mode for time-triggered CAN applications.
- Provides programmable loop-back mode for self-test operation.

8.22 PWM/timer/motor control subsystem

The SCTimer/PWMs (State Configurable Timer/Pulse Width Modulators) and the analog peripherals support multiple ways of interconnecting their inputs and outputs and of interfacing to the pins and the DMA controller. Using the highly flexible and programmable connection scheme makes it easy to configure various subsystems for motor control and complex timing and tracking applications. Specifically, the inputs to the SCTs and the trigger inputs of the ADCs and DMA are selected through the input mux which offers a choice of many possible sources for each input or trigger. SCT outputs are assigned to pins through the switch matrix allowing for many pinout solutions.

8.22.1 SCTimer/PWM subsystem

The SCTimer/PWMs can be configured to build a PWM controller with multiple outputs by programming the MATCH and MATCHRELOAD registers to control the base frequency and the duty cycle of each SCTimer/PWM output. More complex waveforms that span multiple counter cycles or change behavior across or within counter cycles can be generated using the state capability built into the SCTimer/PWMs.

Combining the PWM functions with the analog functions, the PWM output can react to control signals like comparator outputs or the ADC interrupts. The SCT IPU adds emergency shut-down functions and pre-processing of controlling events. For an overview of the PWM subsystem, see [Figure 12 “PWM-Analog subsystem”](#).

For high-speed PWM functionality, use only outputs that are fixed-pin functions to minimize pin-to-pin differences in output skew. See also [Table 22 “SCT output dynamic characteristics”](#). This reduces the number of PWM outputs to five for each large SCT.

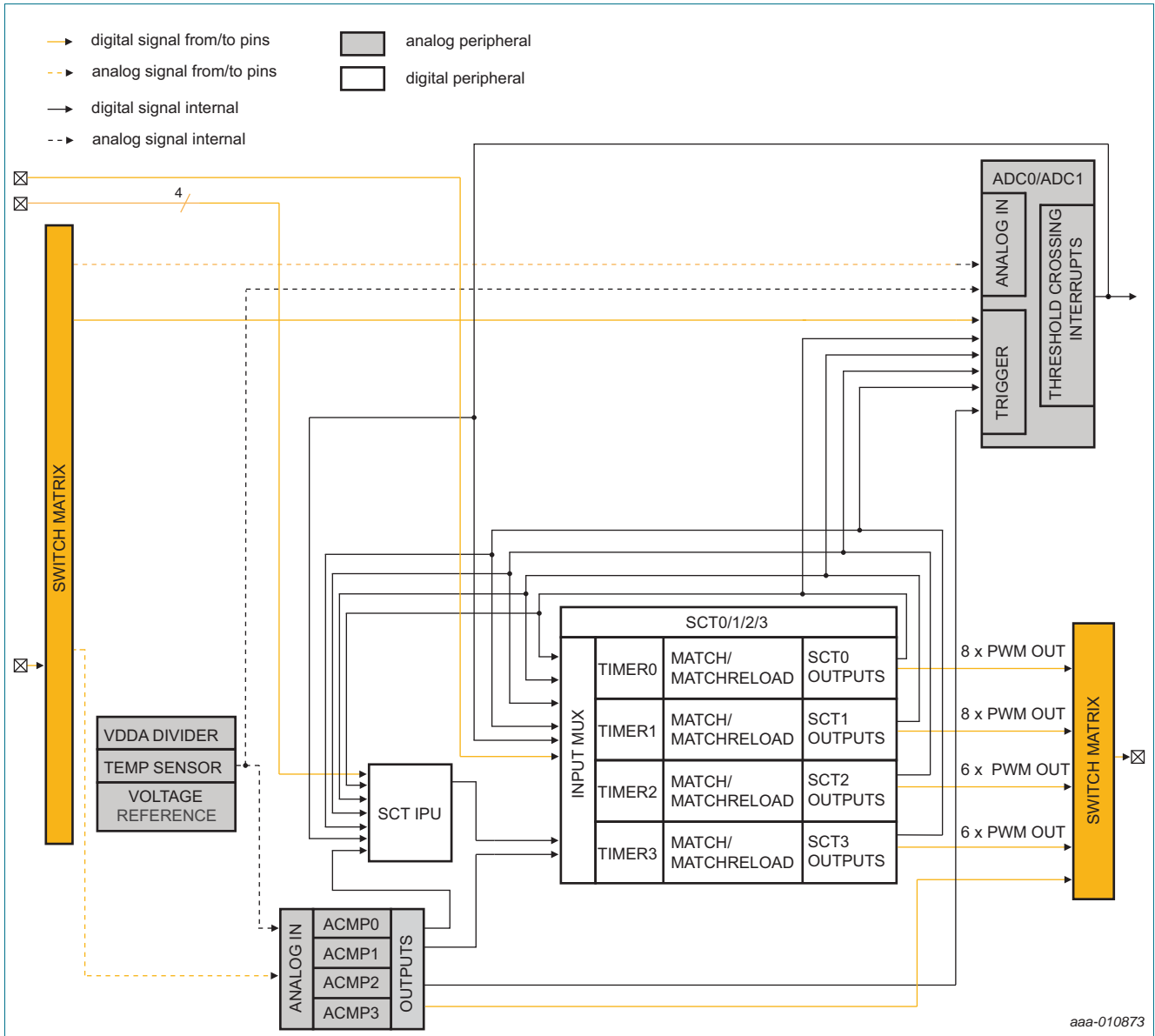


Fig 12. PWM-Analog subsystem

8.22.2 Timer controlled subsystem

The timers, the analog components, and the DMA can be configured to form a subsystem that can run independently of the main processor under the control of the SCTs and any events that are generated by the A/D converters, the comparators, the SCT output themselves, or the external pins. A/D conversions can be triggered by the timer outputs, the comparator outputs or by events from external pins. Data can be transferred from the ADCs to memory using the DMA controller, and the DMA transfers can be triggered by the ADCs, the comparator outputs, or by the timer outputs.

For an overview of the subsystem, see [Figure 13 “Subsystem with timers, switch matrix, DMA, and analog components”](#).

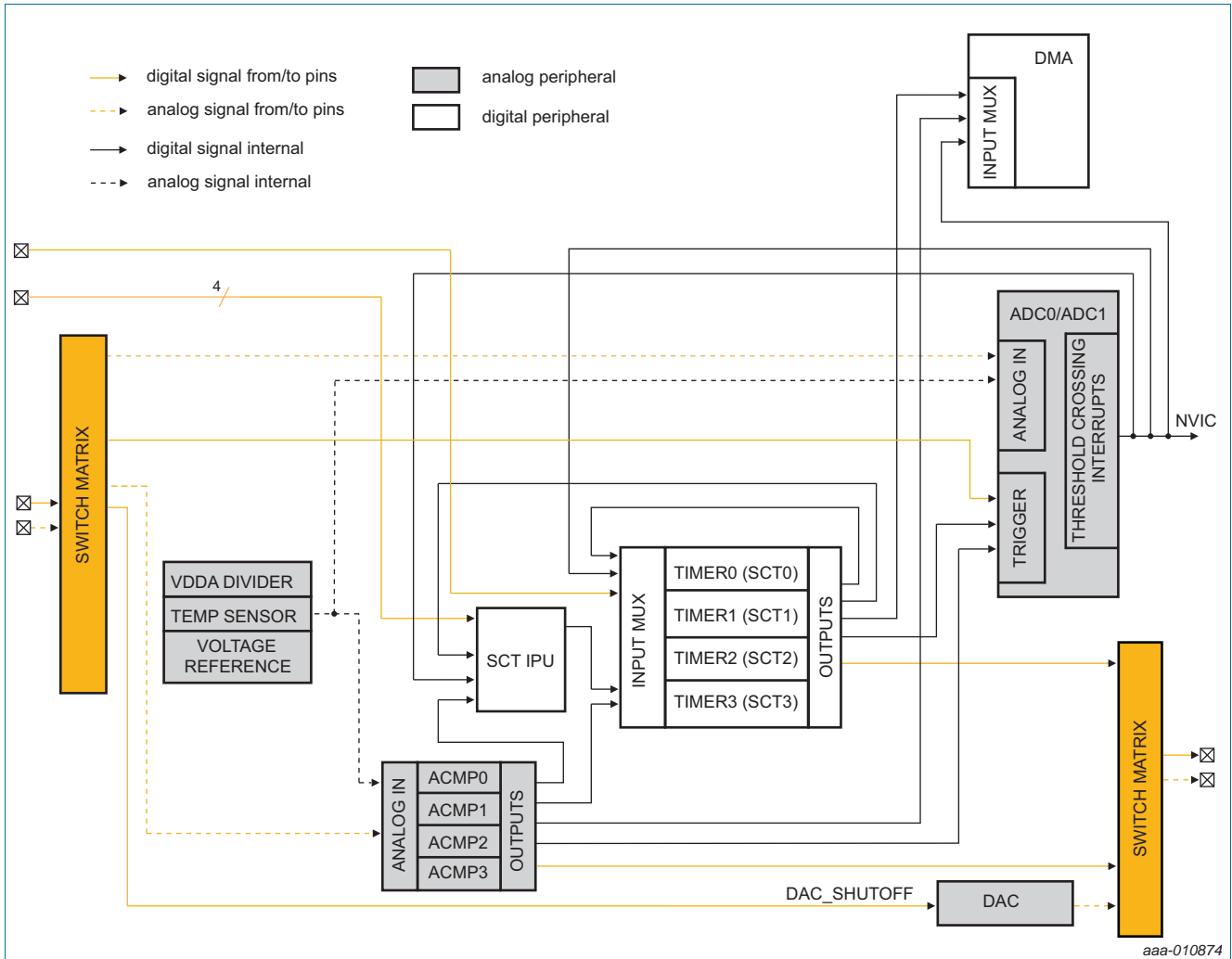


Fig 13. Subsystem with timers, switch matrix, DMA, and analog components

8.22.3 SCTimer/PWM in the large configuration (SCT0/1)

Remark: For applications that require exact timing of the SCT outputs (for example PWM), assign the outputs only to fixed-pin functions to ensure that the output skew is nearly the same for all outputs.

8.22.3.1 Features

The following feature list summarizes the configuration for the two large SCTs. Each large SCT has a companion small SCT (see Section 8.22.4) with fewer inputs and outputs and a reduced feature set.

- Each SCT supports:
 - 16 match/capture registers
 - 16 events
 - 16 states
 - Match register 0 to 5 support a fractional component for the dither engine

- 8 inputs and 10 outputs
- DMA support
- Counter/timer features:
 - Configurable as two 16-bit counters or one 32-bit counter.
 - Counters clocked by system clock or selected input.
 - Configurable as up counters or up-down counters.
 - Configurable number of match and capture registers. Up to 16 match and capture registers total.
 - Upon match create the following events: stop, halt, limit counter or change counter direction; toggle outputs; create an interrupt; change the state.
 - Counter value can be loaded into capture register triggered by match or input/output toggle.
- PWM features:
 - Counters can be used in conjunction with match registers to toggle outputs and create time-proportioned PWM signals.
 - Up to eight single-edge or dual-edge controlled PWM outputs with up to eight independent duty cycles when configured as 32-bit timers.
- Event creation features:
 - The following conditions define an event: a counter match condition, an input (or output) condition such as an rising or falling edge or level, a combination of match and/or input/output condition.
 - Events can only have an effect while the counter is running.
 - Selected events can limit, halt, start, or stop a counter or change its direction.
 - Events trigger state changes, output toggles, interrupts, and DMA transactions.
 - Match register 0 can be used as an automatic limit.
 - In bi-directional mode, events can be enabled based on the count direction.
 - Match events can be held until another qualifying event occurs.
- State control features:
 - A state is defined by the set of events that are allowed to happen in the state.
 - A state changes into another state as result of an event.
 - Each event can be assigned to one or more states.
 - State variable allows sequencing across multiple counter cycles.
- Dither engine.
- Integrated with an input pre-processing unit (SCTIPU) to combine or delay input events.

Inputs and outputs on the SCTimer0/PWM and SCTimer1/PWM are configured as follows:

- 8 inputs
 - 7 inputs. Each input except input 7 can select one of 23 sources from an input multiplexer.
 - One input connected directly to the SCT PLL for a high-speed dedicated clock input.

- 10 outputs (some outputs are connected to multiple locations)
 - Three outputs connected to external pins through the switch matrix as movable functions.
 - Five outputs connected to external pins through the switch matrix as fixed-pin functions.
 - Two outputs connected to the SCTIPU to sample or latch input events.
 - One output connected to the other large SCT
 - Four outputs connected to one small SCT
 - Two outputs connected to each ADC trigger input

8.22.4 State-Configurable Timers in the small configuration (SCT2/3)

Remark: For applications that require exact timing of the SCT outputs (for example PWM), assign the outputs only to fixed-pin functions to ensure that the output skew is nearly the same for all outputs.

8.22.4.1 Features

The following feature list summarizes the configuration for the two small SCTs. Each small SCT has a companion large SCT (see [Section 8.22.3](#)) with more inputs and outputs and a dither engine.

- Each SCT supports:
 - 8 match/capture registers
 - 10 events
 - 10 states
 - 3 inputs and 6 outputs
 - DMA support
- Counter/timer features:
 - Configurable as two 16-bit counters or one 32-bit counter.
 - Counters clocked by bus clock or selected input.
 - Up counters or up-down counters.
 - Configurable number of match and capture registers. Up to 16 match and capture registers total.
 - Upon match create the following events: interrupt, stop, limit timer or change direction; toggle outputs; change state.
 - Counter value can be loaded into capture register triggered by match or input/output toggle.
- PWM features:
 - Counters can be used in conjunction with match registers to toggle outputs and create time-proportioned PWM signals.
 - Up to six single-edge or dual-edge controlled PWM outputs with independent duty cycles if configured as 32-bit timers.
- Event creation features:

- The following conditions define an event: a counter match condition, an input (or output) condition, a combination of a match and/or and input/output condition in a specified state.
- Selected events can limit, halt, start, or stop a counter.
- Events control state changes, outputs, interrupts, and DMA requests.
- Match register 0 can be used as an automatic limit.
- In bi-directional mode, events can be enabled based on the count direction.
- Match events can be held until another qualifying event occurs.
- State control features:
 - A state is defined by events that can take place in the state while the counter is running.
 - A state changes into another state as result of an event.
 - Each event can be assigned to one or more states.
 - State variable allows sequencing across multiple counter cycles.
- Integrated with an input pre-processing unit (SCTIPU) to combine or delay input events.

Inputs and outputs on the SCTimer2/PWM and SCTimer3/PWM are configured as follows:

- 3 inputs. Each input selects one of 21 sources from a pin multiplexer.
- 6 outputs (some outputs are connected to multiple locations)
 - Three outputs connected to external pins through the switch matrix as movable functions.
 - Three outputs connected to external pins through the switch matrix as fixed-pin functions.
 - Two outputs connected to the SCT IPU to sample or latch input events.
 - Four outputs connected to the accompanying large SCT
 - Two outputs connected to each ADC trigger input

8.22.5 SCT Input processing unit (SCTIPU)

The SCTIPU allows to block or propagate signals to inputs of the SCT under the control of an SCT output. Using the SCTIPU in this way, allows signals to be blocked from entering the SCT inputs for a certain amount of time, for example while they are known to be invalid.

In addition, the SCTIPU can generate a common signal from several combined input sources that can be selected on all SCT inputs. Such a mechanism can be useful to create an abort signal that stops all timers.

8.22.5.1 Features

The SCTIPU pre-processes inputs to the State-Configurable Timers (SCT).

- Four outputs created from a selection of input transitions. Each output can be used as abort input to the SCTs or for any other application which requires a collection of multiple SCT inputs to trigger an identical SCT response.

- Four registers to indicate which specific input sources caused the abort input to the SCTs.
- Four additional outputs which can be sampled at certain times and latched at others before being routed to SCT inputs.
- Nine abort inputs. Any combination of the abort inputs can trigger the dedicated abort input of each SCT.

8.23 Quadrature Encoder Interface (QEI)

A quadrature encoder, also known as a 2-channel incremental encoder, converts angular displacement into two pulse signals. By monitoring both the number of pulses and the relative phase of the two signals, the user code can track the position, direction of rotation, and velocity. In addition, a third channel, or index signal, can be used to reset the position counter. The quadrature encoder interface decodes the digital pulses from a quadrature encoder wheel to integrate position over time and determine direction of rotation. In addition, the QEI can capture the velocity of the encoder wheel.

8.23.1 Features

- Tracks encoder position.
- Increments/decrements depending on direction.
- Programmable for 2× or 4× position counting.
- Velocity capture using built-in timer.
- Velocity compare function with “less than” interrupt.
- Uses 32-bit registers for position and velocity.
- Three position-compare registers with interrupts.
- Index counter for revolution counting.
- Index compare register with interrupts.
- Can combine index and position interrupts to produce an interrupt for whole and partial revolution displacement.
- Digital filter with programmable delays for encoder input signals.
- Can accept decoded signal inputs (clock and direction).

8.24 Analog-to-Digital Converter (ADC)

The ADC supports a resolution of 12 bit and fast conversion rates of up to 2 Msamples/s. Sequences of analog-to-digital conversions can be triggered by multiple sources. Possible trigger sources are internal connections to other on-chip peripherals such as the SCT and analog comparator outputs, external pins, and the ARM TXEV interrupt.

The ADC supports a variable clocking scheme with clocking synchronous to the system clock or independent, asynchronous clocking for high-speed conversions.

The ADC includes a hardware threshold compare function with zero-crossing detection. The threshold crossing interrupt is connected internally to the SCT inputs for tight timing control between the ADC and the SCTs.

8.24.1 Features

- 12-bit successive approximation analog-to-digital converter.
- 12-bit conversion rate of 2 MHz.
- Input multiplexing among 12 pins and up to 4 internal sources.
- Internal sources are the temperature sensor voltage, internal reference voltage, core voltage regulator output, and VDDA/2.
- Two configurable conversion sequences with independent triggers.
- Optional automatic high/low threshold comparison and zero-crossing detection.
- Power-down mode and low-power operating mode.
- Measurement range VREFN to VREFP (typically 3 V; not to exceed VDDA voltage level).
- Burst conversion mode for single or multiple inputs.
- Synchronous or asynchronous operation. Asynchronous operation maximizes flexibility in choosing the ADC clock frequency, Synchronous mode minimizes trigger latency and can eliminate uncertainty and jitter in response to a trigger.

8.25 Digital-to-Analog Converter (DAC)

The DAC supports a resolution of 12 bits. Conversions can be triggered by an external pin input or an internal timer.

The DAC includes an optional automatic hardware shut-off feature which forces the DAC output voltage to zero while a HIGH level on the external DAC_SHUTOFF pin is detected.

8.25.1 Features

- 12-bit digital-to-analog converter.
- Supports DMA.
- Internal timer or pin external trigger for staged, jitter-free DAC conversion sequencing.
- Automatic hardware shut-off triggered by an external pin.

8.26 Analog comparator (ACMP)

The LPC15xx include four analog comparators with seven selectable inputs each for each positive or negative input channel. Two analog inputs are common to all four comparators. Internal voltage inputs include a voltage ladder reference with selectable voltage supply source, the temperature sensor or the internal voltage reference.

The analog inputs to the comparators are fixed-pin functions and must be enabled through the switch matrix.

The outputs of each analog comparator are internally connected to the ADC trigger inputs and to the SCT inputs, so that the result of a voltage comparison can trigger a timer operation or an analog-to-digital conversion.

8.26.1 Features

- Seven selectable inputs. Fully configurable on either the positive side or the negative input channel.
- 32-stage voltage ladder internal reference for selectable voltages on each comparator; configurable on either positive or negative comparator input.
- Voltage ladder source voltage is selectable from an external pin or the 3.3 V analog voltage supply.
- 0.9 V internal band gap reference voltage selectable as either positive or negative input on each comparator.
- Temperature sensor voltage selectable as either positive or negative input on each comparator.
- Voltage ladder can be separately powered down for applications only requiring the comparator function.
- Individual comparator outputs can be connected internally to the SCT and ADC trigger inputs or the external pins.
- Separate interrupt for each comparator.
- Pin filter included on each comparator output.
- Three propagation delay values are programmable to optimize between speed and power consumption.
- Relaxation oscillator circuitry output for a 555 style timer operation using comparator blocks 0 and 1.

8.27 Temperature sensor

The temperature sensor transducer uses an intrinsic pn-junction diode reference and outputs a CTAT voltage (Complement To Absolute Temperature). The output voltage varies inversely with device temperature with an absolute accuracy of better than ± 5 °C over the full temperature range (-40 °C to $+105$ °C). The temperature sensor is only approximately linear with a slight curvature. The output voltage is measured over different ranges of temperatures and fit with linear-least-square lines.

After power-up, the temperature sensor output must be allowed to settle to its stable value before it can be used as an accurate ADC input.

For an accurate measurement of the temperature sensor by the ADC, the ADC must be configured in single-channel burst mode. The last value of a nine-conversion (or more) burst provides an accurate result.

8.28 Internal voltage reference

The internal voltage reference is an accurate 0.9 V and is the output of a low voltage band gap circuit. A typical value at $T_{amb} = 25$ °C is 0.905 V. The internal voltage reference can be used in the following applications:

- When the supply voltage V_{DD} is known accurately, the internal voltage reference can be used to reduce the offset error E_O of the ADC code output. The ADC error correction then increases the accuracy of temperature sensor voltage output measurements.

- When the ADC is accurately calibrated, the internal voltage reference can be used to measure the power supply voltage. This requires calibration by recording the ADC code of the internal voltage reference at different power supply levels yielding a different ADC code value for each supply voltage level. In a particular application, the internal voltage reference can be measured and the actual power supply voltage can be determined from the stored calibration values. The calibration values can be stored in the EEPROM for easy access.

After power-up, the internal voltage reference must be allowed to settle to its stable value before it can be used as an ADC reference voltage input.

For an accurate measurement of the internal voltage reference by the ADC, the ADC must be configured in single-channel burst mode. The last value of a nine-conversion (or more) burst provides an accurate result.

8.29 Multi-Rate Timer (MRT)

The Multi-Rate Timer (MRT) provides a repetitive interrupt timer with four channels. Each channel can be programmed with an independent time interval, and each channel operates independently from the other channels.

8.29.1 Features

- 24-bit interrupt timer
- Four channels independently counting down from individually set values
- Repeat and one-shot interrupt modes

8.30 Windowed WatchDog Timer (WWDT)

The watchdog timer resets the controller if software fails to periodically service it within a programmable time window.

8.30.1 Features

- Internally resets chip if not periodically reloaded during the programmable time-out period.
- Optional windowed operation requires reload to occur between a minimum and maximum time period, both programmable.
- Optional warning interrupt can be generated at a programmable time prior to watchdog time-out.
- Enabled by software but requires a hardware reset or a watchdog reset/interrupt to be disabled.
- Incorrect feed sequence causes reset or interrupt if enabled.
- Flag to indicate watchdog reset.
- Programmable 24-bit timer with internal prescaler.
- Selectable time period from $(T_{cy(WDCLK)} \times 256 \times 4)$ to $(T_{cy(WDCLK)} \times 2^{24} \times 4)$ in multiples of $T_{cy(WDCLK)} \times 4$.
- The WWDT is clocked by the dedicated watchdog oscillator (WDOsc) running at a fixed frequency.

8.31 Repetitive Interrupt (RI) timer

The repetitive interrupt timer provides a free-running 48-bit counter which is compared to a selectable value, generating an interrupt when a match occurs. Any bits of the timer/compare can be masked such that they do not contribute to the match detection. The repetitive interrupt timer can be used to create an interrupt that repeats at predetermined intervals.

8.31.1 Features

- 48-bit counter running from the main clock. Counter can be free-running or can be reset when an RIT interrupt is generated.
- 48-bit compare value.
- 48-bit compare mask. An interrupt is generated when the counter value equals the compare value, after masking. This allows for combinations not possible with a simple compare.

8.32 System tick timer

The ARM Cortex-M3 includes a system tick timer (SYSTICK) that is intended to generate a dedicated SYSTICK exception at a fixed time interval (typically 10 ms).

8.33 Real-Time Clock (RTC)

The RTC resides in a separate, always-on voltage domain with battery back-up. The RTC uses an independent 32 kHz oscillator, also located in the always-on voltage domain.

8.33.1 Features

- 32-bit, 1 Hz RTC counter and associated match register for alarm generation.
- Separate 16-bit high-resolution/wake-up timer clocked at 1 kHz for 1 ms resolution with a more than one minute maximum time-out period.
- RTC alarm and high-resolution/wake-up timer time-out each generate independent interrupt requests. Either time-out can wake up the part from any of the low power modes, including Deep power-down.

8.34 Clock generation

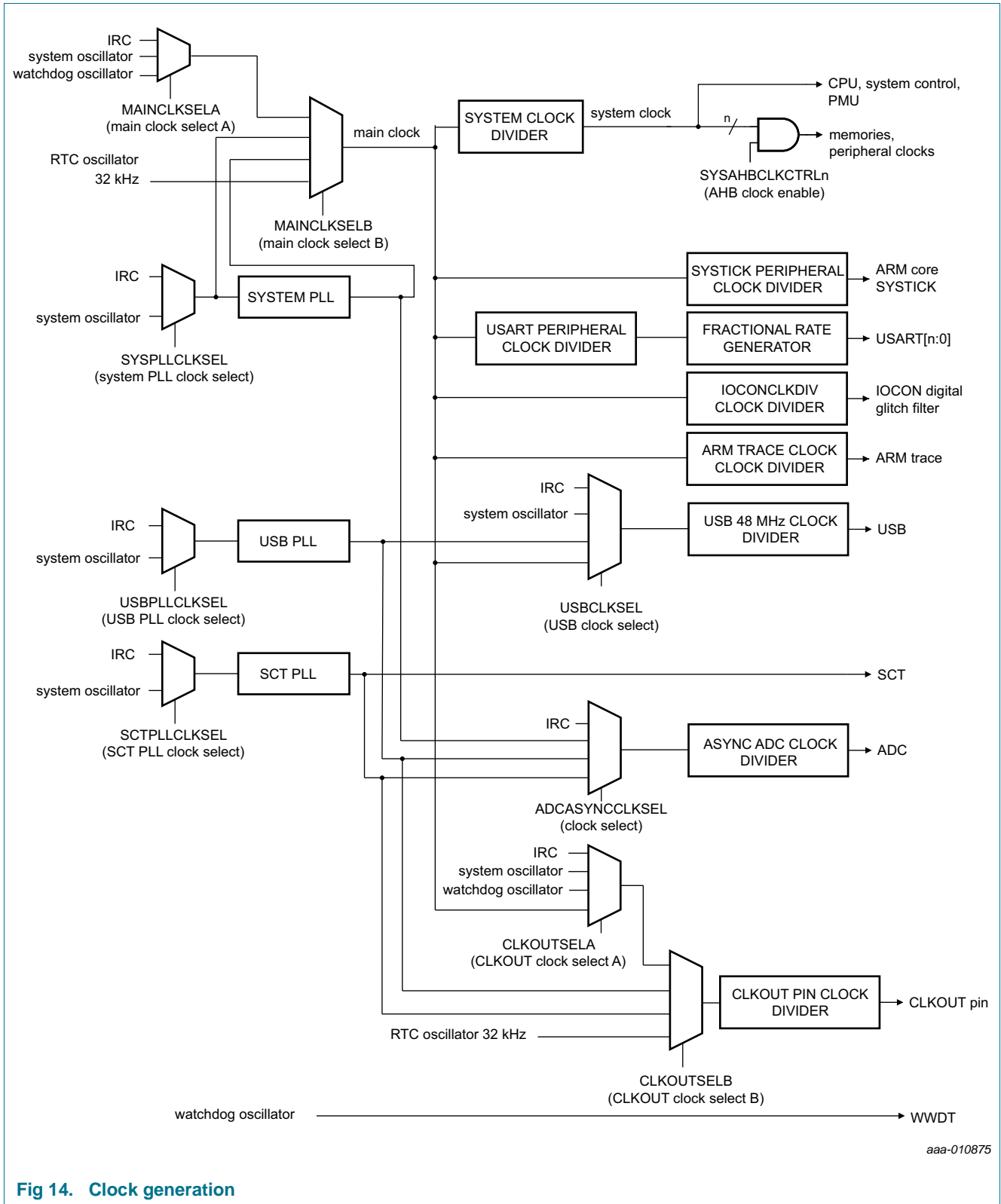


Fig 14. Clock generation

8.35 Power domains

The LPC15xx provide two independent power domains that allow the bulk of the device to have power removed while maintaining operation of the RTC and the backup Registers.

The VBAT pin supplies power only to the RTC domain. The RTC requires a minimum of power to operate, which can be supplied by an external battery. The device core power (V_{DD}) is used to operate the RTC whenever V_{DD} is present. Therefore, there is no power drain from the RTC battery when V_{DD} is and $V_{DD} \geq V_{BAT} + 0.3\text{ V}$.

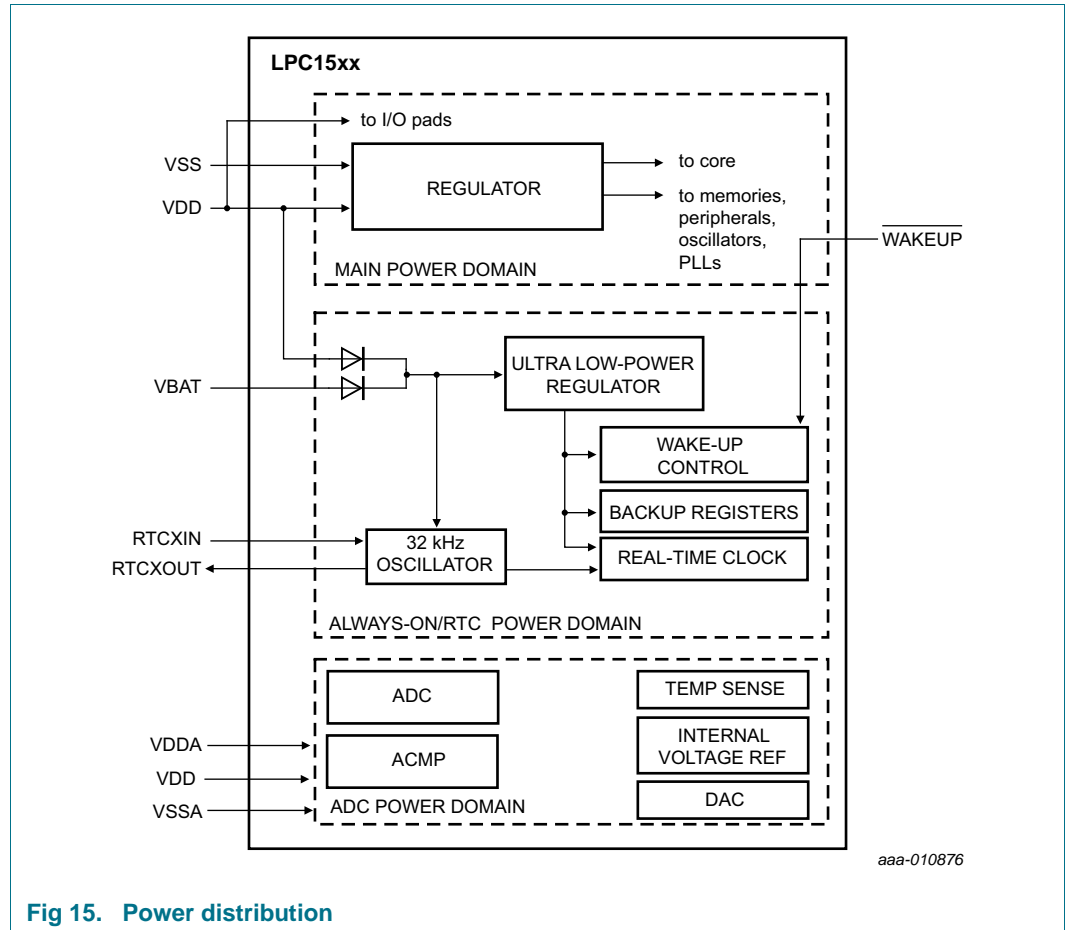


Fig 15. Power distribution

8.36 Integrated oscillators

The LPC15xx include the following independent oscillators: the system oscillator, the Internal RC oscillator (IRC), the watchdog oscillator, and the 32 kHz RTC oscillator. Each oscillator can be used for multiple purposes.

Following reset, the LPC15xx operates from the internal RC oscillator until software switches to a different clock source. The IRC allows the system to operate without any external crystal and the bootloader code to operate at a known frequency.

See [Figure 14](#) for an overview of the LPC15xx clock generation.

8.36.1 Internal RC oscillator

The IRC can be used as the clock that drives the system PLL and then the CPU. In addition, the IRC can be selected as input to various clock dividers and as the clock source for the USB PLL and the SCT PLL (see [Figure 14](#)). The nominal IRC frequency is 12 MHz.

Upon power-up, any chip reset, or wake-up from Deep power-down mode, the LPC15xx use the IRC as the clock source. Software can later switch to one of the other available clock sources.

8.36.2 System oscillator

The system oscillator can be used as a stable and accurate clock source for the CPU, with or without using the PLL. For USB applications, use the system oscillator to provide the clock source to USB PLL.

The system oscillator operates at frequencies of 1 MHz to 25 MHz. This frequency can be boosted to a higher frequency, up to the maximum CPU operating frequency, by the system PLL.

The system oscillator has a wake-up time of approximately 500 μ s.

8.36.3 Watchdog oscillator

The low-power watchdog oscillator can be used as a clock source that directly drives the CPU, the watchdog timer, or the CLKOUT pin. The watchdog oscillator nominal frequency is fixed at 503 kHz. The frequency spread over processing and temperature is ± 40 %.

8.36.4 RTC oscillator

The low-power RTC oscillator provides a 1 Hz clock and a 1 kHz clock to the RTC and a 32 kHz clock output that can be used to obtain the main clock (see [Figure 14](#)). The 32 kHz oscillator output can be observed on the CLKOUT pin to allow trimming the RTC oscillator without interference from a probe.

8.37 System PLL, USB PLL, and SCT PLL

The LPC15xx contain a three identical PLLs for generating the system clock, the 48 MHz USB clock, and an asynchronous clock for the ADCs and SCTs. The system PLL is used to create the main clock. The SCT and USB PLLs create dedicated clocks for the asynchronous ADC, the asynchronous SCT clock input, and the USB.

Remark: The USB PLL is available on parts LPC1549/48/47 only.

The PLL accepts an input clock frequency in the range of 10 MHz to 25 MHz. The input frequency is multiplied up to a high frequency with a Current Controlled Oscillator (CCO). The multiplier can be an integer value from 1 to 32. The CCO operates in the range of 156 MHz to 320 MHz. To support this frequency range, an additional divider keeps the CCO within its frequency range while the PLL is providing the desired output frequency. The output divider can be set to divide by 2, 4, 8, or 16 to produce the output clock. The PLL output frequency must be lower than 100 MHz. Since the minimum output divider value is 2, it is insured that the PLL output has a 50 % duty cycle. The PLL is turned off and bypassed following a chip reset. Software can enable the PLL later. The program must configure and activate the PLL, wait for the PLL to lock, and then connect to the PLL as a clock source. The PLL settling time is 100 μ s.

8.38 Clock output

The LPC15xx feature a clock output function that routes the internal oscillator outputs, the PLL outputs, or the main clock an output pin where they can be observed directly.

8.39 Wake-up process

The LPC15xx begin operation by using the 12 MHz IRC oscillator as the clock source at power-up and when awakened from Deep power-down mode. This mechanism allows chip operation to resume quickly. If the application uses the system oscillator or the PLL, software must enable these components and wait for them to stabilize. Only then can the system use the PLL and system oscillator as a clock source.

8.40 Power control

The LPC15xx support various power control features. There are four special modes of processor power reduction: Sleep mode, Deep-sleep mode, Power-down mode, and Deep power-down mode. The CPU clock rate can also be controlled as needed by changing clock sources, reconfiguring PLL values, and/or altering the CPU clock divider value. This power control mechanism allows a trade-off of power versus processing speed based on application requirements. In addition, a register is provided for shutting down the clocks to individual on-chip peripherals. This register allows fine-tuning of power consumption by eliminating all dynamic power use in any peripherals that are not required for the application. Selected peripherals have their own clock divider which provides additional power control.

8.40.1 Power profiles

The power consumption in Active and Sleep modes can be optimized for the application through simple calls to the power profile. The power configuration routine configures the LPC15xx for one of the following power modes:

- Default mode corresponding to power configuration after reset.
- CPU performance mode corresponding to optimized processing capability.
- Efficiency mode corresponding to optimized balance of current consumption and CPU performance.
- Low-current mode corresponding to lowest power consumption.

In addition, the power profile includes routines to select the optimal PLL settings for a given system clock and PLL input clock and to easily set the configuration options for Deep-sleep and power-down modes.

Remark: When using the USB, configure the LPC15xx in Default mode.

8.40.2 Sleep mode

When Sleep mode is entered, the clock to the core is stopped. Resumption from the Sleep mode does not need any special sequence but re-enabling the clock to the ARM core.

In Sleep mode, execution of instructions is suspended until either a reset or interrupt occurs. Peripheral functions continue operation during Sleep mode and can generate interrupts to cause the processor to resume execution. Sleep mode eliminates dynamic power used by the processor itself, by memory systems and related controllers, and by internal buses.

8.40.3 Deep-sleep mode

In Deep-sleep mode, the LPC15xx is in Sleep-mode and all peripheral clocks and all clock sources are off except for the IRC. The IRC output is disabled unless the IRC is selected as input to the watchdog timer. In addition all analog blocks are shut down and the flash is in stand-by mode. In Deep-sleep mode, the application can keep the watchdog oscillator and the BOD circuit running for self-timed wake-up and BOD protection.

The LPC15xx can wake up from Deep-sleep mode via reset, selected GPIO pins, a watchdog timer interrupt, an interrupt generating USB port activity, an RTC interrupt, or any interrupts that the USART, SPI, or I2C interfaces can create in Deep-sleep mode. The USART wake-up requires the 32 kHz mode, the synchronous mode, or the CTS interrupt to be set up.

Deep-sleep mode saves power and allows for short wake-up times.

8.40.4 Power-down mode

In Power-down mode, the LPC15xx is in Sleep-mode and all peripheral clocks and all clock sources are off except for watchdog oscillator if selected. In addition all analog blocks and the flash are shut down. In Power-down mode, the application can keep the BOD circuit running for BOD protection.

The LPC15xx can wake up from Power-down mode via reset, selected GPIO pins, a watchdog timer interrupt, an interrupt generating USB port activity, an RTC interrupt, or any interrupts that the USART, SPI, or I2C interfaces can create in Power-down mode. The USART wake-up requires the 32 kHz mode, the synchronous mode, or the CTS interrupt to be set up.

Power-down mode reduces power consumption compared to Deep-sleep mode at the expense of longer wake-up times.

8.40.5 Deep power-down mode

In Deep power-down mode, power is shut off to the entire chip except for the WAKEUP pin and the always-on RTC power-domain. The LPC15xx can wake up from Deep power-down mode via the WAKEUP pin or a wake-up signal generated by the RTC interrupt.

The LPC15xx can be blocked from entering Deep power-down mode by setting a lock bit in the PMU block. Blocking the Deep power-down mode enables the application to keep the watchdog timer or the BOD running at all times.

If the WAKEUP pin is used in the application, an external pull-up resistor is required on the WAKEUP pin to hold it HIGH while the part is in deep power-down mode. Pulling the WAKEUP pin LOW wakes up the part from deep power-down mode. In addition, pull the $\overline{\text{RESET}}$ pin HIGH to prevent it from floating while in Deep power-down mode.

8.41 System control

8.41.1 Reset

Reset has four sources on the LPC15xx: the $\overline{\text{RESET}}$ pin, the Watchdog reset, power-on reset (POR), and the BrownOut Detection (BOD) circuit. The $\overline{\text{RESET}}$ pin is a Schmitt trigger input pin. Assertion of chip reset by any source, once the operating voltage attains a usable level, starts the IRC and initializes the flash controller.

When the internal Reset is removed, the processor begins executing at address 0, which is initially the Reset vector mapped from the boot block. At that point, all of the processor and peripheral registers have been initialized to predetermined values.

In Deep power-down mode, an external pull-up resistor is required on the $\overline{\text{RESET}}$ pin.

The $\overline{\text{RESET}}$ pin is operational in active, sleep, deep-sleep, and power-down modes if the $\overline{\text{RESET}}$ function is selected through the switch matrix for pin PIO0_21 (this is the default). A LOW-going pulse as short as 50 ns executes the reset and thereby wakes up the part to its active state. The $\overline{\text{RESET}}$ pin is not functional in Deep power-down mode and must be pulled HIGH externally while the part is in Deep power-down mode.

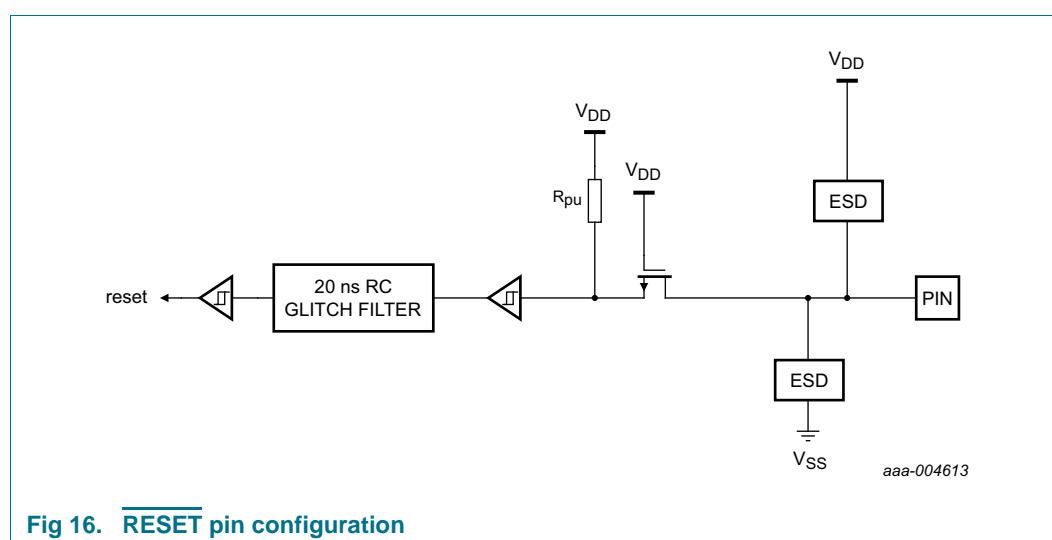


Fig 16. $\overline{\text{RESET}}$ pin configuration

8.41.2 Brownout detection

The LPC15xx includes brown-out detection (BOD) with two levels for monitoring the voltage on the V_{DD} pin. If this voltage falls below one of two selected levels, the BOD asserts an interrupt signal to the NVIC. This signal can be enabled for interrupt in the Interrupt Enable Register in the NVIC to cause a CPU interrupt. Alternatively, software can monitor the signal by reading a dedicated status register. Two threshold levels can be selected to cause a forced reset of the chip.

8.41.3 Code security (Code Read Protection - CRP)

CRP provides different levels of security in the system so that access to the on-chip flash and use of the Serial Wire Debugger (SWD) and In-System Programming (ISP) can be restricted. Programming a specific pattern into a dedicated flash location invokes CRP. IAP commands are not affected by the CRP.

In addition, ISP entry the external pins can be disabled without enabling CRP. For details, see the LPC15xx *user manual*.

There are three levels of Code Read Protection:

1. CRP1 disables access to the chip via the SWD and allows partial flash update (excluding flash sector 0) using a limited set of the ISP commands. This mode is useful when CRP is required and flash field updates are needed but all sectors cannot be erased.
2. CRP2 disables access to the chip via the SWD and only allows full flash erase and update using a reduced set of the ISP commands.
3. Running an application with level CRP3 selected, fully disables any access to the chip via the SWD pins and the ISP. This mode effectively disables ISP override using ISP pin as well. If necessary, the application must provide a flash update mechanism using IAP calls or using a call to the reinvoke ISP command to enable flash update via the USART.

CAUTION

If level three Code Read Protection (CRP3) is selected, no future factory testing can be performed on the device.

In addition to the three CRP levels, sampling of the ISP pins for valid user code can be disabled. For details, see the LPC15xx *user manual*.

8.42 Emulation and debugging

Debug functions are integrated into the ARM Cortex-M3. Serial wire debug functions are supported in addition to a standard JTAG boundary scan. The ARM Cortex-M3 is configured to support up to four breakpoints and two watch points.

The $\overline{\text{RESET}}$ pin selects between the JTAG boundary scan ($\overline{\text{RESET}} = \text{LOW}$) and the ARM SWD debug ($\text{RESET} = \text{HIGH}$). The ARM SWD debug port is disabled while the LPC15xx is in reset.

To perform boundary scan testing, follow these steps:

1. Erase any user code residing in flash.
2. Power up the part with the $\overline{\text{RESET}}$ pin pulled HIGH externally.
3. Wait for at least 250 μs .
4. Pull the $\overline{\text{RESET}}$ pin LOW externally.
5. Perform boundary scan operations.
6. Once the boundary scan operations are completed, assert the $\overline{\text{TRST}}$ pin to enable the SWD debug mode, and release the $\overline{\text{RESET}}$ pin (pull HIGH).

Remark: The JTAG interface cannot be used for debug purposes.

9. Limiting values

Table 9. Limiting values

In accordance with the Absolute Maximum Rating System (IEC 60134).[\[1\]](#)

| Symbol | Parameter | Conditions | Min | Max | Unit |
|----------------------|---------------------------------|---|--|-----------------------|------|
| V_{DD} | supply voltage (3.3 V) | | [2] -0.5 | V_{DDA} | V |
| V_{DDA} | analog supply voltage | | -0.5 | +4.6 | V |
| V_{ref} | reference voltage | on pin VREFP_DAC_VDDCMP | -0.5 | V_{DDA} | V |
| | | on pin VREFP_ADC | -0.5 | V_{DDA} | V |
| V_{BAT} | battery supply voltage | | -0.5 | +4.6 | V |
| V_{I} | input voltage | 5 V tolerant I/O pins; only valid when the $V_{\text{DD(I/O)}}$ supply voltage is present | [3] [4] -0.5 | +5.5 | V |
| | | on I2C open-drain pins PIO0_22, PIO0_23 | [5] -0.5 | +5.5 | V |
| | | 3 V tolerant I/O pin without over-voltage protection. Applies to PIO0_12. | [6] -0.5 | V_{DDA} | V |
| | | USB_DM, USB_DP pins | -0.5 | $V_{\text{DD}} + 0.5$ | V |
| V_{IA} | analog input voltage | | [7] [8] -0.5 | +4.6 | V |
| | | | [9] | | |
| | | | | | |
| $V_{\text{i(xtal)}}$ | crystal input voltage | | [2] -0.5 | +2.5 | V |
| $V_{\text{i(rtcx)}}$ | 32 kHz oscillator input voltage | | [2] -0.5 | +4.6 | V |
| I_{DD} | supply current | per supply pin | - | 100 | mA |
| I_{SS} | ground current | per ground pin | - | 100 | mA |

Table 9. Limiting values ...continuedIn accordance with the Absolute Maximum Rating System (IEC 60134).^[1]

| Symbol | Parameter | Conditions | Min | Max | Unit |
|-----------------|---------------------------------------|---|----------|------|------------------|
| I_{latch} | I/O latch-up current | $-(0.5V_{DD(I/O)}) < V_I < (1.5V_{DD(I/O)})$; $T_j < 125\text{ }^\circ\text{C}$ | - | 100 | mA |
| T_{stg} | storage temperature | | [10] -65 | +150 | $^\circ\text{C}$ |
| $T_{j(max)}$ | maximum junction temperature | | - | 150 | $^\circ\text{C}$ |
| $P_{tot(pack)}$ | total power dissipation (per package) | based on package heat transfer, not device power consumption | - | 1.5 | W |
| V_{esd} | electrostatic discharge voltage | human body model; all pins | [11] - | 5 | kV |

- [1] The following applies to the limiting values:
- This product includes circuitry specifically designed for the protection of its internal devices from the damaging effects of excessive static charge. Nonetheless, it is suggested that conventional precautions be taken to avoid applying greater than the rated maximum.
 - Parameters are valid over operating temperature range unless otherwise specified. All voltages are with respect to V_{SS} unless otherwise noted.
- [2] Maximum/minimum voltage above the maximum operating voltage (see Table 11) and below ground that can be applied for a short time (< 10 ms) to a device without leading to irrecoverable failure. Failure includes the loss of reliability and shorter lifetime of the device.
- [3] Applies to all 5 V tolerant I/O pins except true open-drain pins PIO0_22 and PIO0_23 and except the 3 V tolerant pin PIO0_12.
- [4] Including the voltage on outputs in 3-state mode.
- [5] $V_{DD(I/O)}$ present or not present. Compliant with the I²C-bus standard. 5.5 V can be applied to this pin when $V_{DD(I/O)}$ is powered down.
- [6] Applies to 3 V tolerant pins PIO0_12.
- [7] An ADC input voltage above 3.6 V can be applied for a short time without leading to immediate, unrecoverable failure. Accumulated exposure to elevated voltages at 4.6 V must be less than 10⁶ s total over the lifetime of the device. Applying an elevated voltage to the ADC inputs for a long time affects the reliability of the device and reduces its lifetime.
- [8] If the comparator is configured with the common mode input $V_{IC} = V_{DD}$, the other comparator input can be up to 0.2 V above or below V_{DD} without affecting the hysteresis range of the comparator function.
- [9] It is recommended to connect an overvoltage protection diode between the analog input pin and the voltage supply pin.
- [10] Dependent on package type.
- [11] Human body model: equivalent to discharging a 100 pF capacitor through a 1.5 k Ω series resistor.

10. Thermal characteristics

The average chip junction temperature, T_j ($^\circ\text{C}$), can be calculated using the following equation:

$$T_j = T_{amb} + (P_D \times R_{th(j-a)}) \quad (1)$$

- T_{amb} = ambient temperature ($^\circ\text{C}$),
- $R_{th(j-a)}$ = the package junction-to-ambient thermal resistance ($^\circ\text{C}/\text{W}$)
- P_D = sum of internal and I/O power dissipation

The internal power dissipation is the product of I_{DD} and V_{DD} . The I/O power dissipation of the I/O pins is often small and many times can be negligible. However it can be significant in some applications.

Table 10. Thermal resistance value (C/W): $\pm 15\%$

| Symbol | Parameter | Conditions | Typ | Unit |
|----------------|---|--------------------------------|--|----------------------|
| LQFP48 | | | | |
| θ_{ja} | thermal resistance junction-to-ambient | JEDEC (4.5 in \times 4 in) | | |
| | | 0 m/s | 64 | $^{\circ}\text{C/W}$ |
| | | 1 m/s | 55 | $^{\circ}\text{C/W}$ |
| | | 2.5 m/s | 50 | $^{\circ}\text{C/W}$ |
| | | 8-layer (4.5 in \times 3 in) | | |
| | | 0 m/s | 96 | $^{\circ}\text{C/W}$ |
| | | 1 m/s | 76 | $^{\circ}\text{C/W}$ |
| | | 2.5 m/s | 67 | $^{\circ}\text{C/W}$ |
| | | θ_{jc} | thermal resistance junction-to-case | |
| θ_{jb} | thermal resistance junction-to-board | | 16 | $^{\circ}\text{C/W}$ |
| LQFP64 | | | | |
| θ_{ja} | thermal resistance junction-to-ambient | JEDEC (4.5 in \times 4 in) | | |
| | | 0 m/s | 51 | $^{\circ}\text{C/W}$ |
| | | 1 m/s | 45 | $^{\circ}\text{C/W}$ |
| | | 2.5 m/s | 41 | $^{\circ}\text{C/W}$ |
| | | 8-layer (4.5 in \times 3 in) | | |
| | | 0 m/s | 75 | $^{\circ}\text{C/W}$ |
| | | 1 m/s | 60 | $^{\circ}\text{C/W}$ |
| | | 2.5 m/s | 54 | $^{\circ}\text{C/W}$ |
| | | θ_{jc} | thermal resistance junction-to-case | |
| θ_{jb} | thermal resistance junction-to-board | | 17 | $^{\circ}\text{C/W}$ |
| LQFP100 | | | | |
| θ_{ja} | thermal resistance junction-to-ambient | JEDEC (4.5 in \times 4 in) | | |
| | | 0 m/s | 42 | $^{\circ}\text{C/W}$ |
| | | 1 m/s | 37 | $^{\circ}\text{C/W}$ |
| | | 2.5 m/s | 34 | $^{\circ}\text{C/W}$ |
| | | 8-layer (4.5 in \times 3 in) | | |
| | | 0 m/s | 59 | $^{\circ}\text{C/W}$ |
| | | 1 m/s | 48 | $^{\circ}\text{C/W}$ |
| | | 2.5 m/s | 44 | $^{\circ}\text{C/W}$ |
| | | θ_{jc} | thermal resistance junction-to-case | |
| θ_{jb} | thermal resistance junction-to-board | | 17 | $^{\circ}\text{C/W}$ |

11. Static characteristics

Table 11. Static characteristics

$T_{amb} = -40\text{ °C}$ to $+105\text{ °C}$, unless otherwise specified.

| Symbol | Parameter | Conditions | Min | Typ ^[1] | Max | Unit |
|-----------|---|---|--|--------------------|---------------------|---------------|
| V_{DD} | supply voltage (core and external rail) | | ^[2] 2.4 | 3.3 | V_{DDA} | V |
| V_{DDA} | analog supply voltage | | 2.4 | 3.3 | 3.6 | V |
| V_{ref} | reference voltage | on pin VREFP_DAC_VDDCMP | 2.4 | - | V_{DDA} | V |
| | | on pin VREFP_ADC | 2.7 | - | V_{DDA} | V |
| V_{BAT} | battery supply voltage | | 2.4 | 3.3 | 3.6 | V |
| I_{DD} | supply current | Active mode; code while(1){} executed from flash; | | | | |
| | | system clock = 12 MHz; default mode; $V_{DD} = 3.3\text{ V}$ | ^{[3][4][5]} ^{[7][8]} - | 4.3 | - | mA |
| | | system clock = 12 MHz; low-current mode; $V_{DD} = 3.3\text{ V}$ | ^{[3][4][5]} ^{[7][8]} - | 2.7 | - | mA |
| | | system clock = 72 MHz; default mode; $V_{DD} = 3.3\text{ V}$ | ^{[3][4][7]} ^{[8][10]} - | 19.3 | - | mA |
| | | system clock = 72 MHz; low-current mode; $V_{DD} = 3.3\text{ V}$ | ^{[3][4][7]} ^{[8][10]} - | 18 | - | mA |
| | | Sleep mode; | | | | |
| | | system clock = 12 MHz; default mode; $V_{DD} = 3.3\text{ V}$ | ^{[3][4][5]} ^{[7][8]} - | 2.1 | - | mA |
| | | system clock = 12 MHz; low-current mode; $V_{DD} = 3.3\text{ V}$ | ^{[3][4][5]} ^{[7][8]} - | 1.5 | - | mA |
| | | system clock = 72 MHz; default mode; $V_{DD} = 3.3\text{ V}$ | ^{[3][4][10]} ^{[7][8]} - | 8.0 | - | mA |
| | | system clock = 72 MHz; low-current mode; $V_{DD} = 3.3\text{ V}$ | ^{[3][4][10]} ^{[7][8]} - | 7.3 | - | mA |
| I_{DD} | supply current | Deep-sleep mode; $V_{DD} = 3.3\text{ V}$; $T_{amb} = 25\text{ °C}$ | ^{[3][4][11]} - | 310 | 380 | μA |
| | | $T_{amb} = 105\text{ °C}$ | - | - | 620 | μA |
| I_{DD} | supply current | Power-down mode; $V_{DD} = 3.3\text{ V}$ $T_{amb} = 25\text{ °C}$ | ^{[3][4][11]} - | 3.8 | 8 | μA |
| | | $T_{amb} = 105\text{ °C}$ | - | - | 163 | μA |
| I_{DD} | supply current | Deep power-down mode; $V_{DD} = 3.3\text{ V}$; $V_{BAT} = 0$ or $V_{BAT} = 3.0\text{ V}$ RTC oscillator running $T_{amb} = 25\text{ °C}$ | ^{[3][12][13]} - | 1.1 | 1.3 ^[14] | μA |
| | | $T_{amb} = 105\text{ °C}$ | - | - | 15 | μA |
| | | RTC oscillator input grounded; $T_{amb} = 25\text{ °C}$ | ^{[3][12]} - | 560 | - | nA |

Table 11. Static characteristics ...continued
T_{amb} = -40 °C to +105 °C, unless otherwise specified.

| Symbol | Parameter | Conditions | Min | Typ ^[1] | Max | Unit |
|---|---|---|-----------------------|--------------------|-----------------------------|------|
| I _{BAT} | battery supply current | Deep power-down mode; V _{DD} = [13] V _{D_{DA}} = 3.3 V; V _{BAT} = 3.0 V | | 0 | - | nA |
| | | V _{DD} and V _{D_{DA}} tied to ground; [13] V _{BAT} = 3.0 V | | 1 | - | μA |
| Standard port pins configured as digital pins, RESET; see Figure 17 | | | | | | |
| I _{IL} | LOW-level input current | V _I = 0 V; on-chip pull-up resistor disabled | - | 0.5 | 10 ^[14] | nA |
| I _{IH} | HIGH-level input current | V _I = V _{DD} ; on-chip pull-down resistor disabled | - | 0.5 | 10 ^[14] | nA |
| I _{OZ} | OFF-state output current | V _O = 0 V; V _O = V _{DD} ; on-chip pull-up/down resistors disabled | - | 0.5 | 10 ^[14] | nA |
| V _I | input voltage | V _{DD} ≥ 2.4 V; 5 V tolerant pins except PIO0_12 [16] | 0 | - | 5 | V |
| | | V _{DD} ≥ 2.4 V; on 3 V tolerant pin PIO0_12 [18] | 0 | - | V _{D_{DA}} | |
| | | V _{DD} = 0 V | 0 | - | 3.6 | V |
| V _O | output voltage | output active | 0 | - | V _{DD} | V |
| V _{IH} | HIGH-level input voltage | | 0.7V _{DD} | - | - | V |
| V _{IL} | LOW-level input voltage | | - | - | 0.3V _{DD} | V |
| V _{hys} | hysteresis voltage | 2.4 V ≤ V _{DD} < 3.0 V | 0.30 | - | - | V |
| | | 3.0 V ≤ V _{DD} ≤ 3.6 V | 0.35 | - | - | V |
| V _{OH} | HIGH-level output voltage | I _{OH} = 4 mA | V _{DD} - 0.4 | - | - | V |
| V _{OL} | LOW-level output voltage | I _{OL} = 4 mA | - | - | 0.4 | V |
| I _{OH} | HIGH-level output current | V _{OH} = V _{DD} - 0.4 V | 4 | - | - | mA |
| I _{OL} | LOW-level output current | V _{OL} = 0.4 V | 4 | - | - | mA |
| I _{OHS} | HIGH-level short-circuit output current | V _{OH} = 0 V [19] | - | - | -45 | mA |
| I _{OLS} | LOW-level short-circuit output current | V _{OL} = V _{DD} [19] | - | - | 50 | mA |
| I _{pd} | pull-down current | V _I = 5 V | 10 | 50 | 150 | μA |
| I _{pu} | pull-up current | V _I = 0 V; | -10 | -50 | -85 | μA |
| | | V _{DD} < V _I < 5 V | 0 | 0 | 0 | μA |
| High-drive output pin configured as digital pin (PIO0_24); see Figure 17 | | | | | | |
| I _{IL} | LOW-level input current | V _I = 0 V; on-chip pull-up resistor disabled | - | 0.5 | 10 ^[14] | nA |
| I _{IH} | HIGH-level input current | V _I = V _{DD} ; on-chip pull-down resistor disabled | - | 0.5 | 10 ^[14] | nA |
| I _{OZ} | OFF-state output current | V _O = 0 V; V _O = V _{DD} ; on-chip pull-up/down resistors disabled | - | 0.5 | 10 ^[14] | nA |

Table 11. Static characteristics ...continued
 $T_{amb} = -40\text{ }^{\circ}\text{C}$ to $+105\text{ }^{\circ}\text{C}$, unless otherwise specified.

| Symbol | Parameter | Conditions | Min | Typ ^[1] | Max | Unit |
|---|--|--|----------------|--------------------|-------------|---------------|
| V_I | input voltage | $V_{DD} \geq 2.4\text{ V}$ | [16] [18] 0 | - | 5.0 | V |
| | | $V_{DD} = 0\text{ V}$ | 0 | - | 3.6 | V |
| V_O | output voltage | output active | 0 | - | V_{DD} | V |
| V_{IH} | HIGH-level input voltage | | $0.7V_{DD}$ | - | - | V |
| V_{IL} | LOW-level input voltage | | - | - | $0.3V_{DD}$ | V |
| V_{hys} | hysteresis voltage | $2.4\text{ V} \leq V_{DD} < 3.0\text{ V}$ | 0.30 | - | - | V |
| | | $3.0\text{ V} \leq V_{DD} \leq 3.6\text{ V}$ | 0.35 | - | - | V |
| V_{OH} | HIGH-level output voltage | $I_{OH} = 20\text{ mA}$; $2.7\text{ V} \leq V_{DD} < 3.6\text{ V}$ | $V_{DD} - 0.4$ | - | - | V |
| | | $I_{OH} = 12\text{ mA}$; $2.4\text{ V} \leq V_{DD} < 2.7\text{ V}$ | $V_{DD} - 0.4$ | - | - | V |
| V_{OL} | LOW-level output voltage | $I_{OL} = 4\text{ mA}$ | - | - | 0.4 | V |
| I_{OH} | HIGH-level output current | $V_{OH} = V_{DD} - 0.4\text{ V}$; $2.7\text{ V} \leq V_{DD} < 3.6\text{ V}$ | 20 | - | - | mA |
| | | $V_{OH} = V_{DD} - 0.4\text{ V}$; $2.4\text{ V} \leq V_{DD} < 2.7\text{ V}$ | 12 | - | - | mA |
| I_{OL} | LOW-level output current | $V_{OL} = 0.4\text{ V}$ | 4 | - | - | mA |
| I_{OLS} | LOW-level short-circuit output current | $V_{OL} = V_{DD}$ | [19] - | - | 50 | mA |
| I_{pd} | pull-down current | $V_I = 5\text{ V}$ | [20] 10 | 50 | 150 | μA |
| I_{pu} | pull-up current | $V_I = 0\text{ V}$ | [20] -10 | -50 | -85 | μA |
| | | $V_{DD} < V_I < 5\text{ V}$ | 0 | 0 | 0 | μA |
| I²C-bus pins (PIO0_22 and PIO0_23); see Figure 17 | | | | | | |
| V_{IH} | HIGH-level input voltage | | $0.7V_{DD}$ | - | - | V |
| V_{IL} | LOW-level input voltage | | - | - | $0.3V_{DD}$ | V |
| V_{hys} | hysteresis voltage | | - | $0.05V_{DD}$ | - | V |
| I_{OL} | LOW-level output current | $V_{OL} = 0.4\text{ V}$; I ² C-bus pins configured as standard mode pins | 3.5 | - | - | mA |
| I_{OL} | LOW-level output current | $V_{OL} = 0.4\text{ V}$; I ² C-bus pins configured as Fast-mode Plus pins; $2.7\text{ V} \leq V_{DD} < 3.6\text{ V}$ | 20 | - | - | mA |
| | | $V_{OL} = 0.4\text{ V}$; I ² C-bus pins configured as Fast-mode Plus pins; $2.4\text{ V} \leq V_{DD} < 2.7\text{ V}$ | 16 | - | - | mA |
| I_{LI} | input leakage current | $V_I = V_{DD}$ | [21] - | 2 | 4 | μA |
| | | $V_I = 5\text{ V}$ | - | 10 | 22 | μA |
| USB_DM and USB_DP pins | | | | | | |
| V_I | input voltage | | [2] 0 | - | V_{DD} | V |

Table 11. Static characteristics ...continued $T_{amb} = -40\text{ }^{\circ}\text{C}$ to $+105\text{ }^{\circ}\text{C}$, unless otherwise specified.

| Symbol | Parameter | Conditions | Min | Typ ^[1] | Max | Unit |
|------------------------|---|---|-----------|--------------------|------|----------|
| V_{IH} | HIGH-level input voltage | | 1.8 | - | - | V |
| V_{IL} | LOW-level input voltage | | - | - | 1.0 | V |
| V_{hys} | hysteresis voltage | | 0.32 | - | - | V |
| Z_{out} | output impedance | | 28 | - | 44 | Ω |
| V_{OH} | HIGH-level output voltage | | 2.9 | - | - | V |
| V_{OL} | LOW-level output voltage | | - | - | 0.18 | V |
| I_{OH} | HIGH-level output current | $V_{OH} = V_{DD} - 0.3\text{ V}$ | [22] 4.8 | - | - | mA |
| I_{OL} | LOW-level output current | $V_{OL} = 0.3\text{ V}$ | [22] 5.0 | - | - | mA |
| I_{OLS} | LOW-level short-circuit output current | drive LOW; pad connected to ground | - | - | 125 | mA |
| I_{OHS} | HIGH-level short-circuit output current | drive HIGH; pad connected to ground | - | - | 125 | mA |
| Oscillator pins | | | | | | |
| $V_{i(xtal)}$ | crystal input voltage | on pin XTALIN | -0.5 | 1.8 | 1.95 | V |
| $V_{o(xtal)}$ | crystal output voltage | on pin XTALOUT | -0.5 | 1.8 | 1.95 | V |
| $V_{i(rtcx)}$ | 32 kHz oscillator input voltage | on pin RTCXIN | [23] -0.5 | - | 3.6 | V |
| $V_{o(rtcx)}$ | 32 kHz oscillator output voltage | on pin RTCXOUT | [23] -0.5 | - | 3.6 | V |
| Pin capacitance | | | | | | |
| C_{io} | input/output capacitance | pins with analog and digital functions | [24] - | - | 7.1 | pF |
| | | I ² C-bus pins (PIO0_22 and PIO0_23) | [24] - | - | 2.5 | pF |
| | | pins with digital functions only | [24] - | - | 2.8 | pF |

[1] Typical ratings are not guaranteed. The values listed are for room temperature (25 °C), nominal supply voltages.

[2] For USB operation: $3.0\text{ V} \leq V_{DD} \leq 3.6\text{ V}$.

[3] $T_{amb} = 25\text{ }^{\circ}\text{C}$.

[4] I_{DD} measurements were performed with all pins configured as GPIO outputs driven LOW and pull-up resistors disabled.

[5] IRC enabled; system oscillator disabled; system PLL disabled.

[6] System oscillator enabled; IRC disabled; system PLL disabled.

[7] BOD disabled.

[8] All peripherals disabled in the SYSAHBCLKCTRL0/1 registers. Peripheral clocks to USART, CLKOUT, and IOCON disabled in system configuration block.

[9] IRC enabled; system oscillator disabled; system PLL enabled.

[10] IRC disabled; system oscillator enabled; system PLL enabled.

[11] All oscillators and analog blocks turned off: Use API power_mode_configure() with mode parameter set to DEEP_SLEEP or POWER_DOWN and peripheral parameter set to 0xFF.

[12] WAKEUP pin pulled HIGH externally.

- [13] RTC running or not running.
- [14] Characterized on samples. Not tested in production.
- [15] Low-current mode PWR_LOW_CURRENT selected when running the set_power routine in the power profiles.
- [16] Including voltage on outputs in tri-state mode.
- [17] V_{DD} supply voltage must be present.
- [18] Tri-state outputs go into tri-state mode in Deep power-down mode.
- [19] Allowed as long as the current limit does not exceed the maximum current allowed by the device.
- [20] Pull-up and pull-down currents are measured across the weak internal pull-up/pull-down resistors. See [Figure 17](#).
- [21] To V_{SS} .
- [22] The parameter values specified are simulated and absolute values.
- [23] The input voltage of the RTC oscillator is limited as follows: $V_{i(\text{rtcx})}, V_{o(\text{rtcx})} < \max(V_{BAT}, V_{DD})$.
- [24] Including bonding pad capacitance.

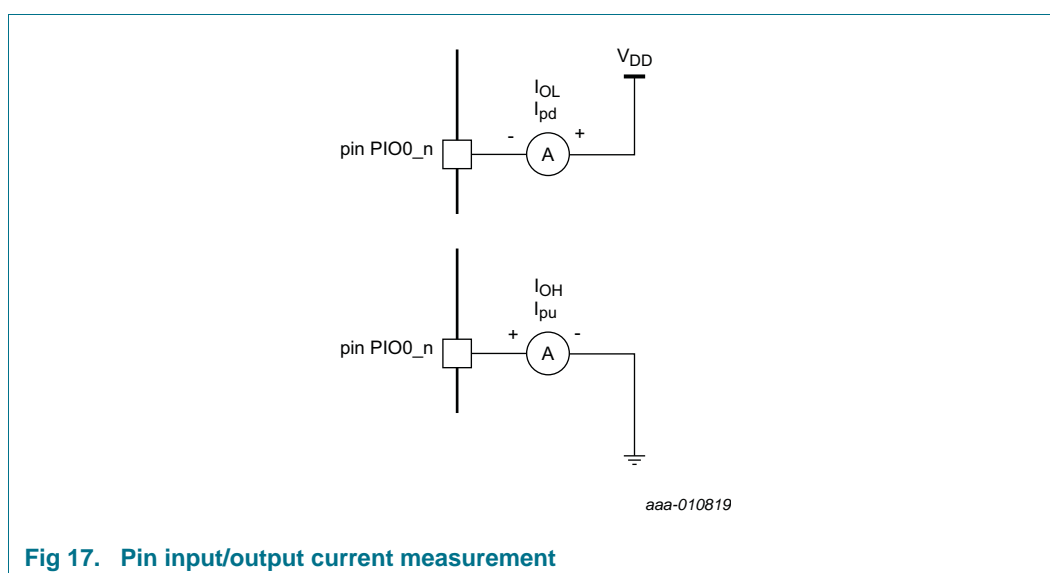
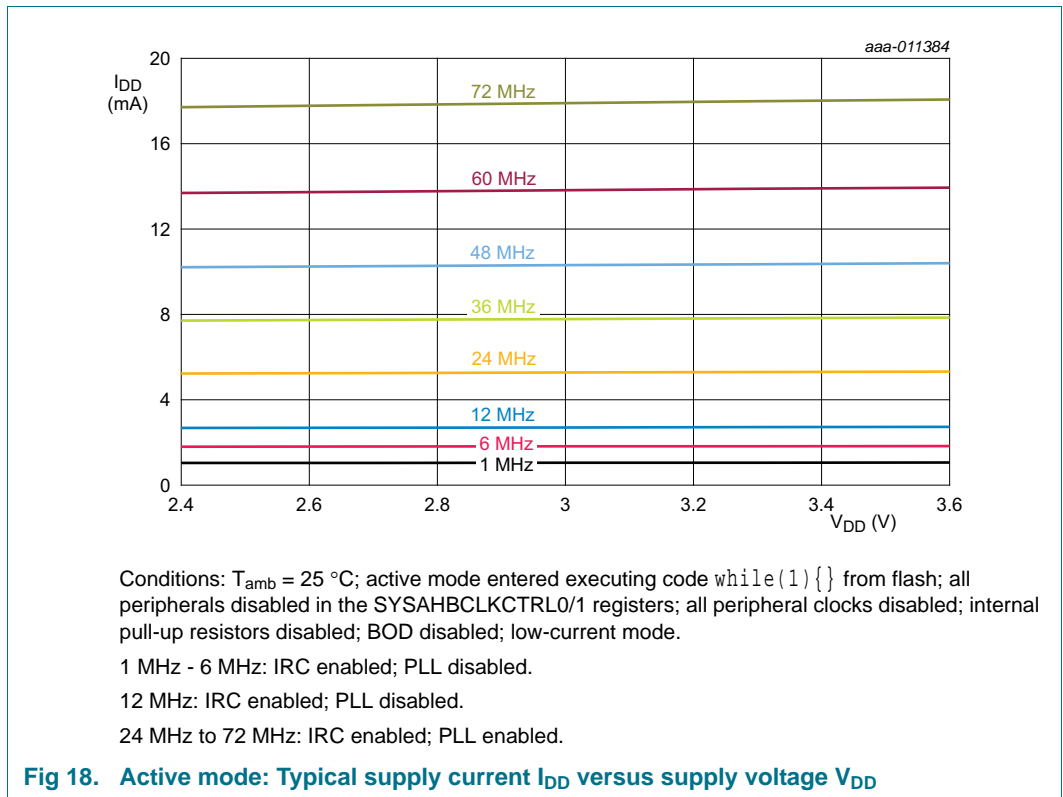


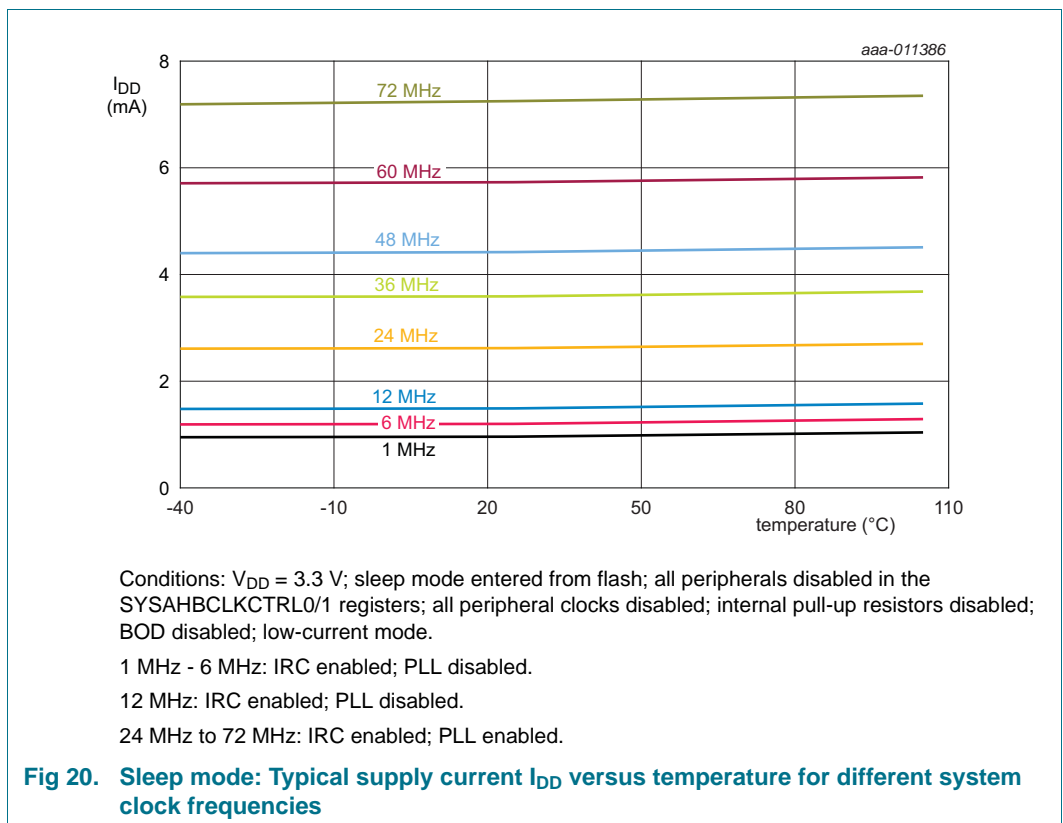
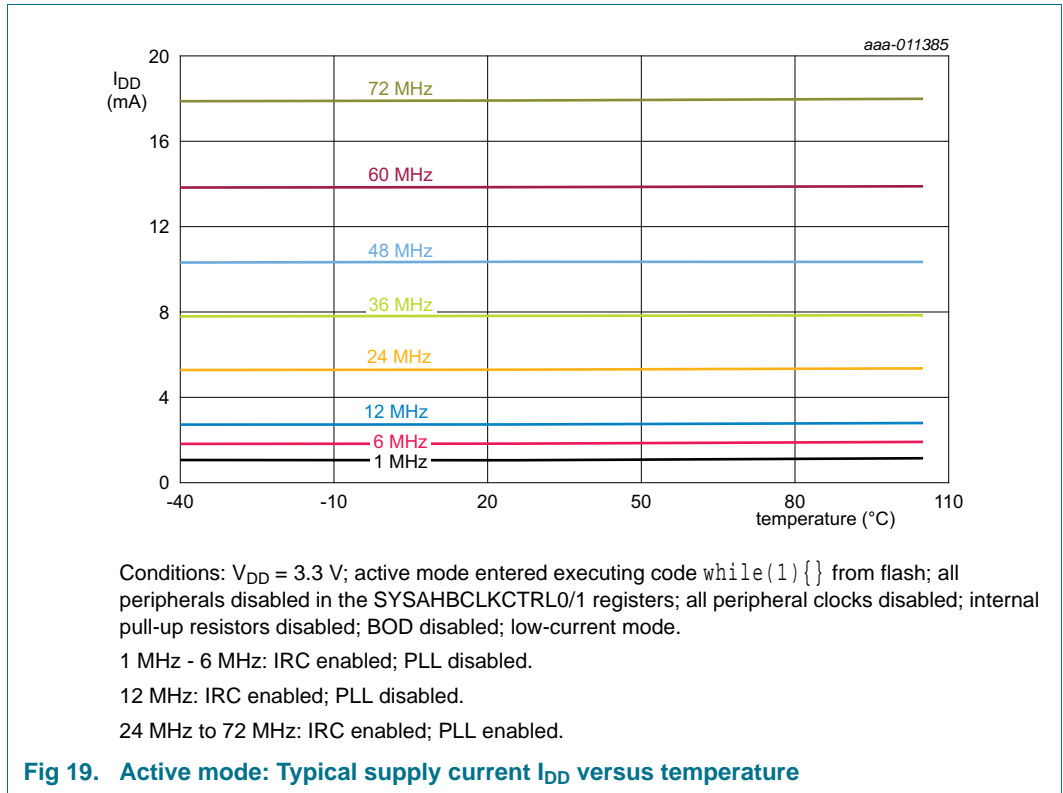
Fig 17. Pin input/output current measurement

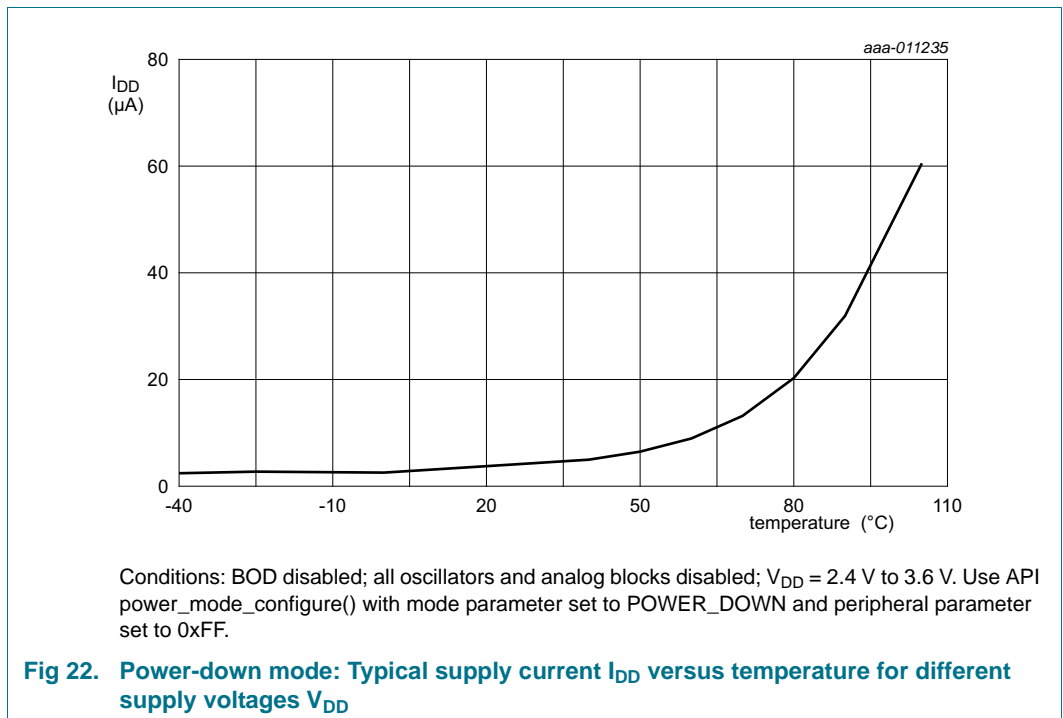
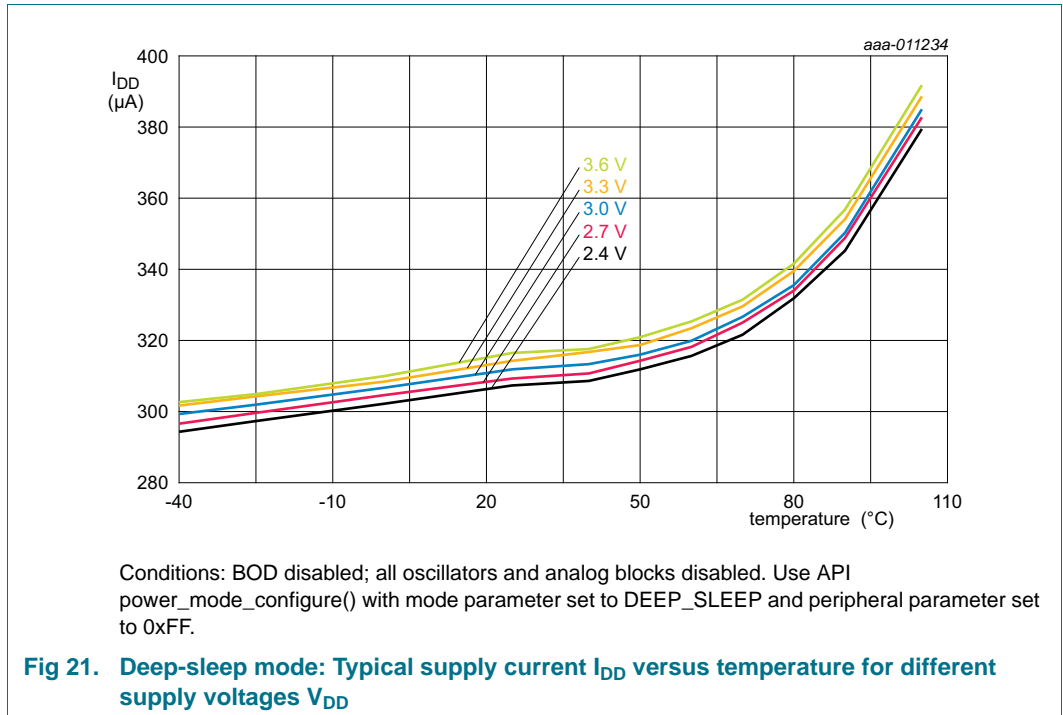
11.1 Power consumption

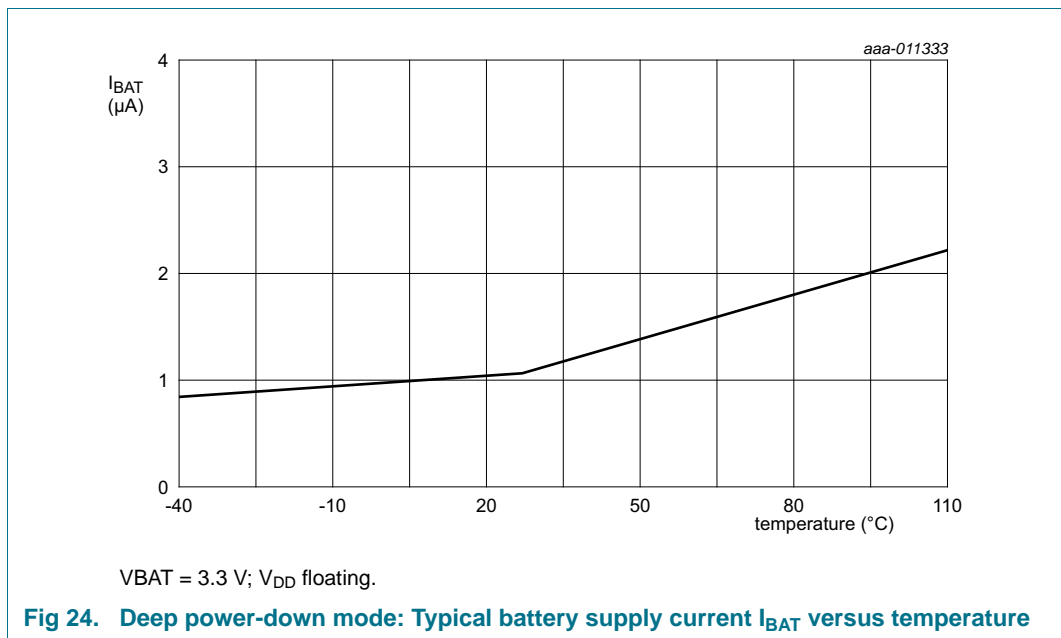
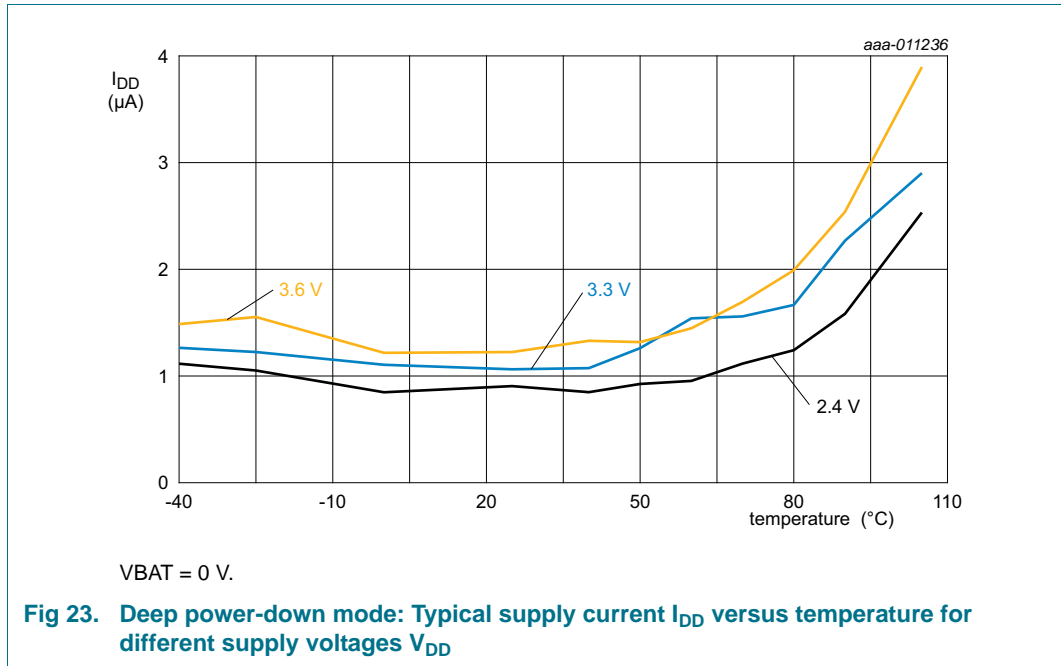
Power measurements in Active, Sleep, and Deep-sleep modes were performed under the following conditions:

- Configure all pins as GPIO with pull-up resistor disabled in the IOCON block.
- Configure GPIO pins as outputs using the GPIO DIR register.
- Write 1 to the GPIO CLR register to drive the outputs LOW.

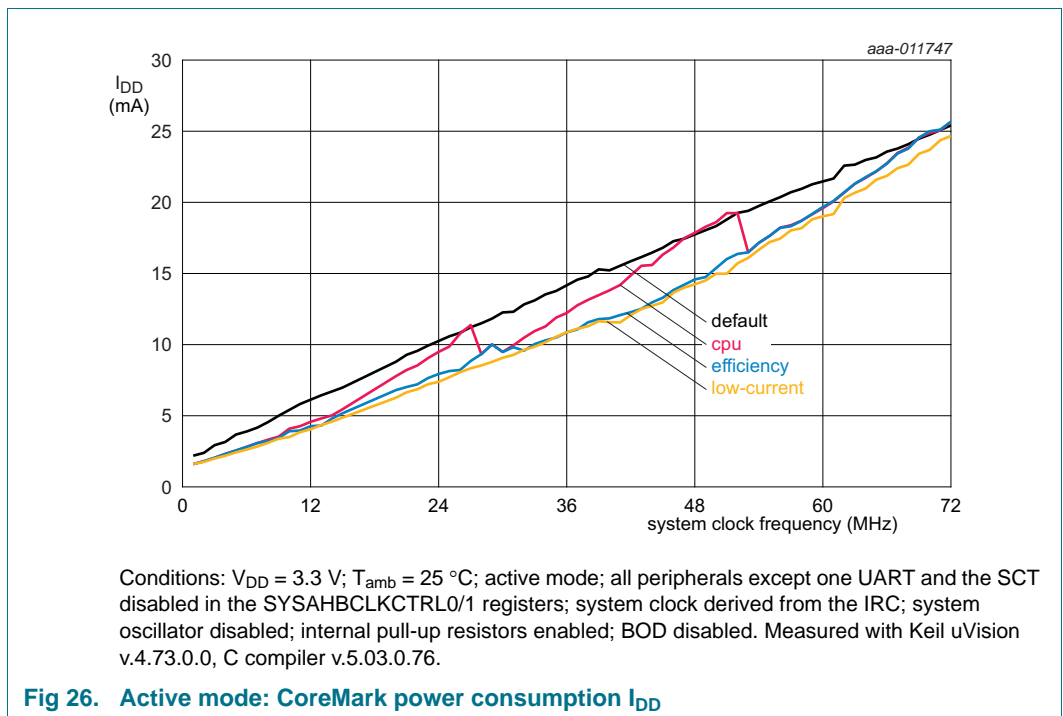
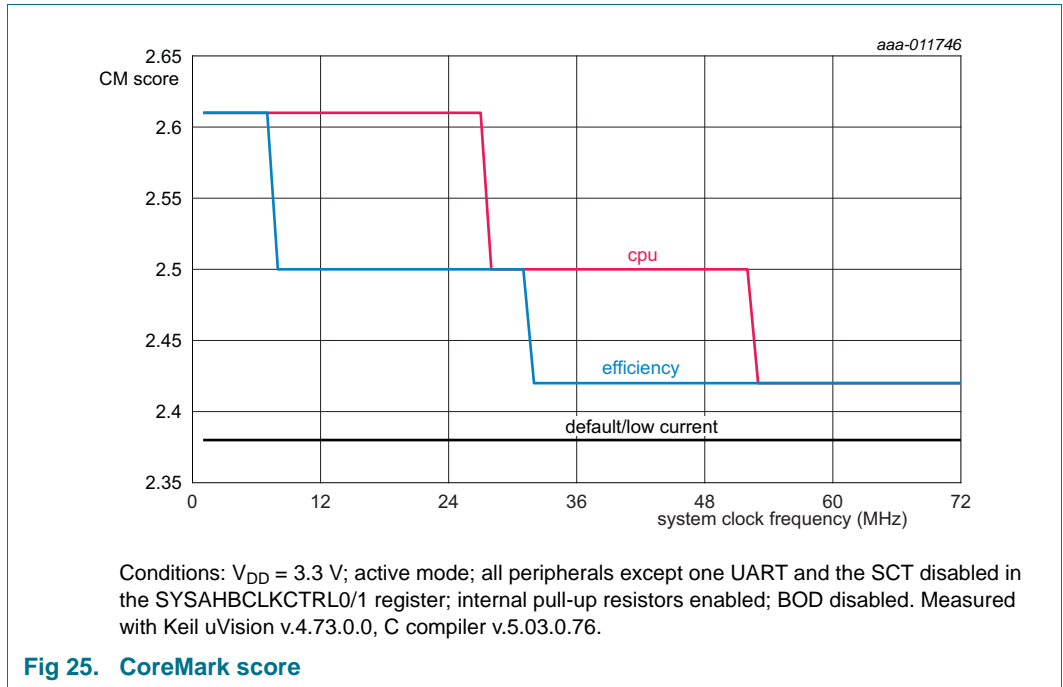








11.2 CoreMark data



11.3 Peripheral power consumption

The supply current per peripheral is measured as the difference in supply current between the peripheral block enabled and the peripheral block disabled in the SYSAHBCLKCFG and PDRUNCFG (for analog blocks) registers. All other blocks are disabled in both registers and no code accessing the peripheral is executed. Measured on a typical sample at $T_{amb} = 25\text{ }^{\circ}\text{C}$. Unless noted otherwise, the system oscillator and PLL are running in both measurements.

The supply currents are shown for system clock frequencies of 12 MHz and 72 MHz.

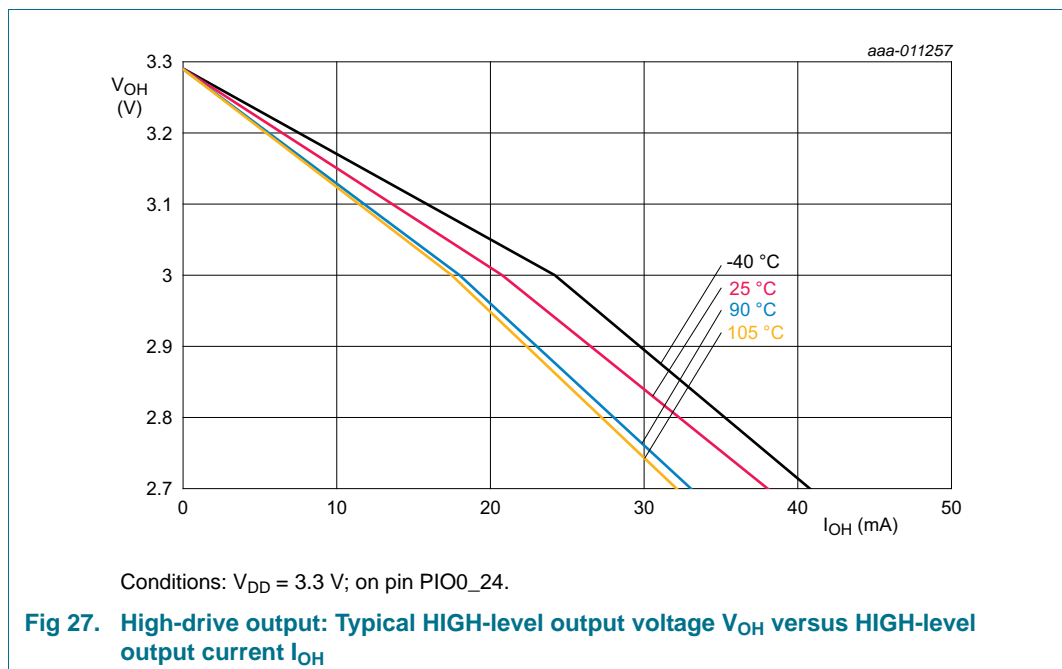
Table 12. Power consumption for individual analog and digital blocks

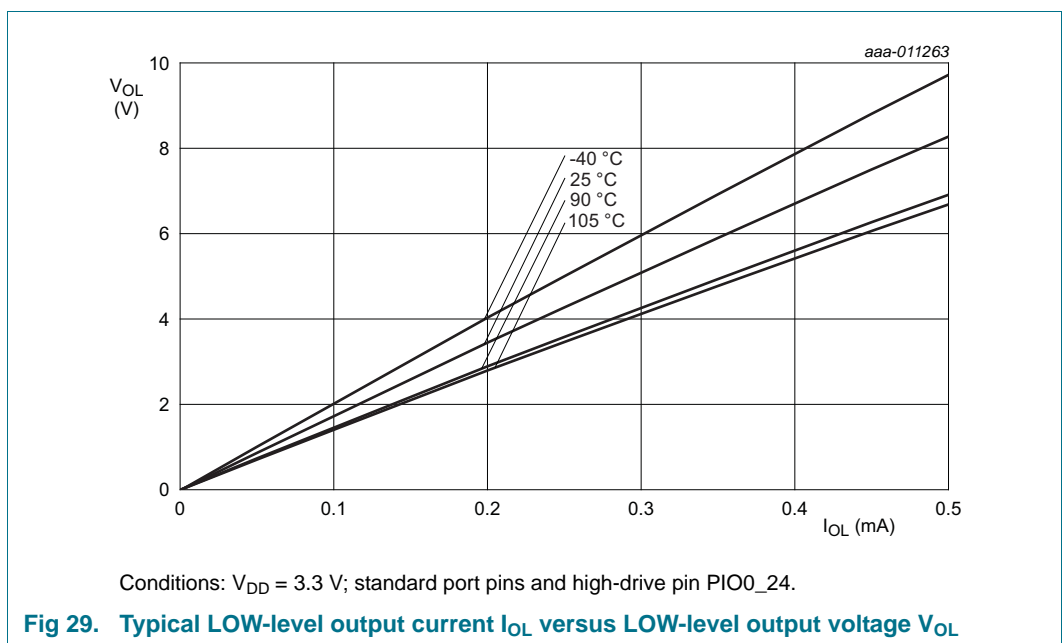
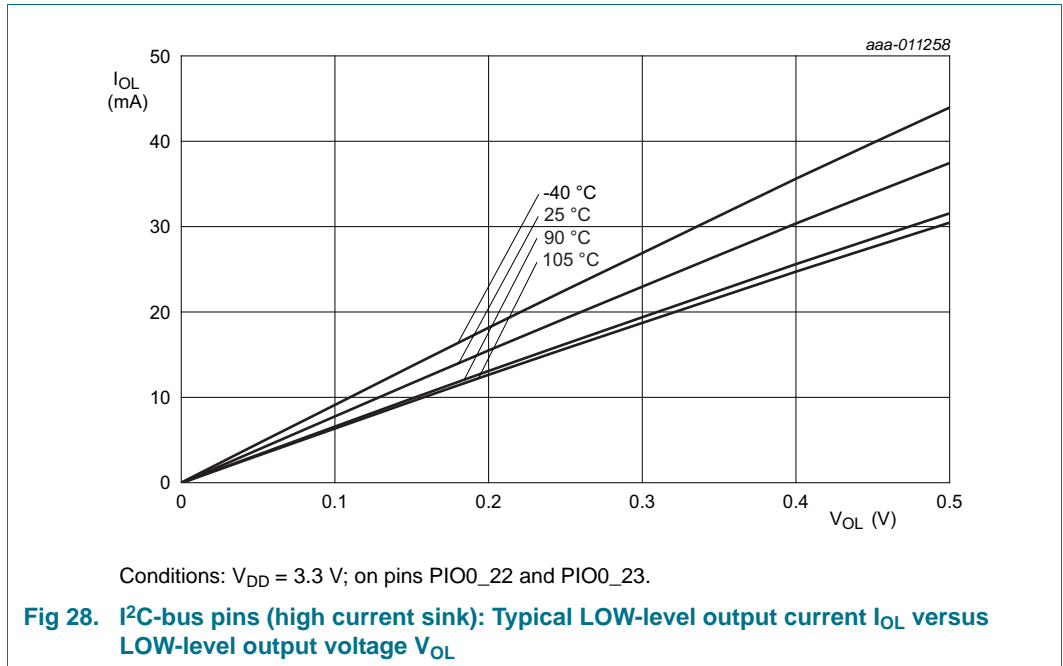
| Peripheral | Typical supply current in mA | | | Notes |
|------------------------------------|------------------------------|--------|--------|--|
| | n/a | 12 MHz | 72 MHz | |
| IRC | 0.008 | - | - | System oscillator running; PLL off; independent of main clock frequency. |
| System oscillator at 12 MHz | 0.220 | - | - | IRC running; PLL off; independent of main clock frequency. |
| Watchdog oscillator | 0.002 | - | - | System oscillator running; PLL off; independent of main clock frequency. |
| BOD | 0.045 | - | - | Independent of main clock frequency. |
| Main PLL | - | 0.085 | - | - |
| USB PLL | - | 0.100 | - | - |
| SCT PLL | - | 0.110 | - | - |
| CLKOUT | - | 0.005 | 0.01 | Main clock divided by 4 in the CLKOUTDIV register. |
| ROM | - | 0.015 | 0.02 | - |
| GPIO + pin interrupt/pattern match | - | 0.55 | 0.60 | GPIO pins configured as outputs and set to LOW. Direction and pin state are maintained if the GPIO is disabled in the SYSAHBCLKCFG register. |
| SWM | - | 0.04 | 0.29 | - |
| INPUT MUX | - | 0.05 | 0.30 | - |
| IOCON | - | 0.06 | 0.40 | - |
| SCTimer0/PWM | - | 0.18 | 1.10 | - |
| SCTimer1/PWM | - | 0.19 | 1.10 | - |
| SCTimer2/PWM | - | 0.13 | 0.70 | - |
| SCTimer3/PWM | - | 0.16 | 0.90 | - |
| SCT IPU | - | 0.02 | 0.1 | - |
| RTC | - | 0.01 | 0.05 | - |
| MRT | - | 0.03 | 0.10 | - |
| WWDT | - | 0.01 | 0.10 | Main clock selected as clock source for the WDT. |
| RIT | - | 0.07 | 0.20 | - |
| QEI | - | 0.12 | 0.80 | - |
| I2C0 | - | 0.02 | 0.12 | - |
| SPI0 | - | 0.03 | 0.3 | - |
| SPI1 | - | 0.01 | 0.28 | - |

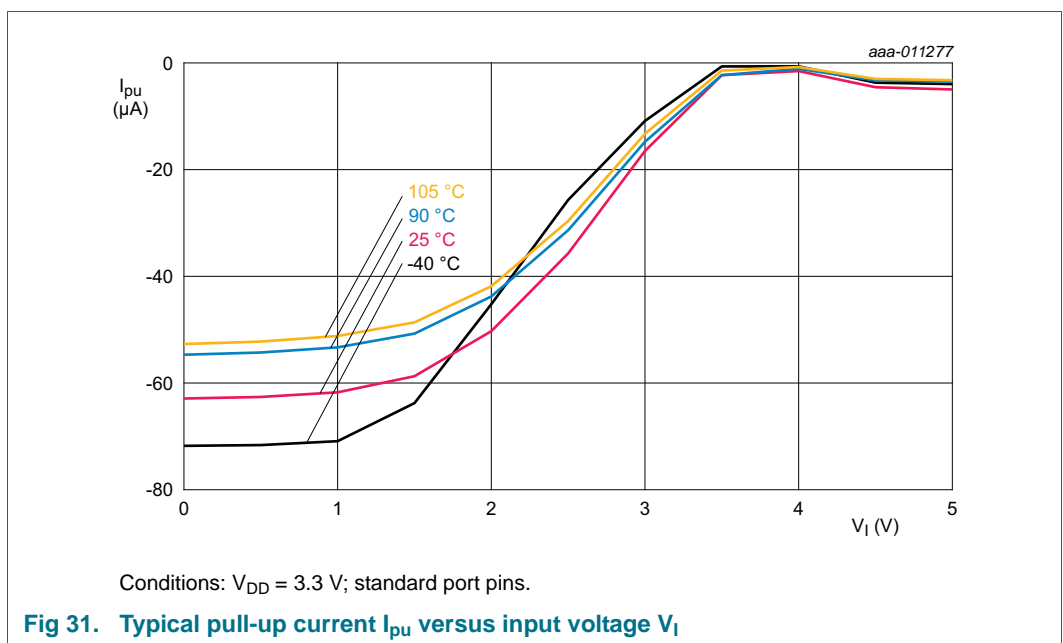
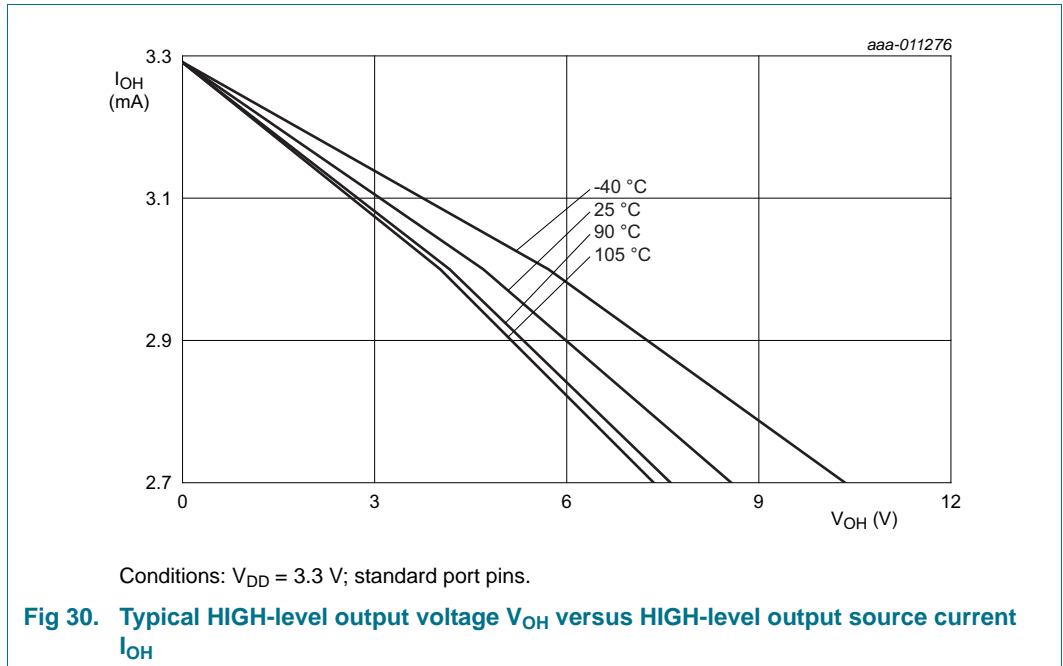
Table 12. Power consumption for individual analog and digital blocks ...continued

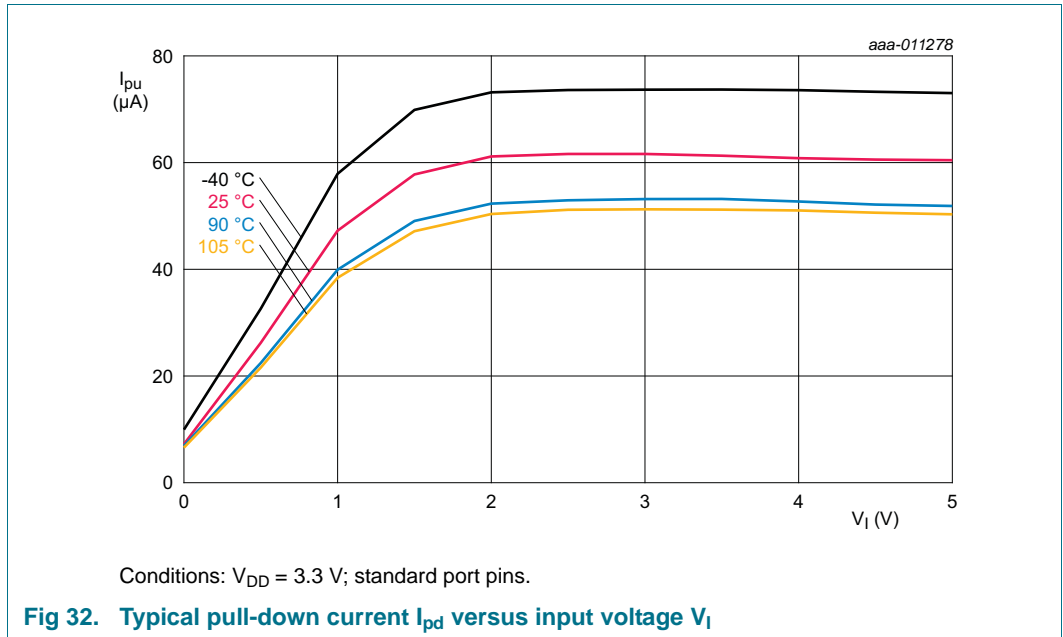
| Peripheral | Typical supply current in mA | | | Notes |
|-------------------------------------|------------------------------|--------|--------|-------|
| | n/a | 12 MHz | 72 MHz | |
| USART0 | - | 0.02 | 0.15 | - |
| USART1 | - | 0.02 | 0.16 | - |
| USART2 | - | 0.02 | 0.15 | - |
| C_CAN | - | 0.50 | 3.00 | - |
| USB | - | 0.10 | 0.50 | - |
| Comparator ACMP0/1/2/3 | - | 0.01 | 0.03 | - |
| ADC0 | - | 0.05 | 0.33 | - |
| ADC1 | - | 0.04 | 0.33 | - |
| temperature sensor | - | 0.03 | 0.03 | - |
| internal voltage reference/band gap | - | 0.03 | 0.04 | - |
| DAC | - | 0.02 | 0.09 | - |
| DMA | - | 0.36 | 1.5 | - |
| CRC | - | 0.01 | 0.08 | - |

11.4 Electrical pin characteristics









12. Dynamic characteristics

12.1 Flash/EEPROM memory

Table 13. Flash characteristics

$T_{amb} = -40\text{ °C to }+105\text{ °C}$. Based on JEDEC NVM qualification. Failure rate < 10 ppm for parts as specified below.

| Symbol | Parameter | Conditions | Min | Typ | Max | Unit |
|------------|------------------|--|-----------|--------|------|--------|
| N_{endu} | endurance | | [1] 10000 | 100000 | - | cycles |
| t_{ret} | retention time | powered | 10 | 20 | - | years |
| | | not powered | 20 | 40 | - | years |
| t_{er} | erase time | page or multiple consecutive pages, sector or multiple consecutive sectors | 95 | 100 | 105 | ms |
| t_{prog} | programming time | | [2] 0.95 | 1 | 1.05 | ms |

[1] Number of program/erase cycles.

[2] Programming times are given for writing 256 bytes to the flash. $T_{amb} \leq +85\text{ °C}$. Flash programming with IAP calls (see *LPC15xx user manual*).

Table 14. EEPROM characteristics

$T_{amb} = -40\text{ °C to }+85\text{ °C}$; $V_{DD} = 2.7\text{ V to }3.6\text{ V}$. Based on JEDEC NVM qualification. Failure rate < 10 ppm for parts as specified below.

| Symbol | Parameter | Conditions | Min | Typ | Max | Unit |
|------------|------------------|-------------|--------|---------|-----|--------|
| N_{endu} | endurance | | 100000 | 1000000 | - | cycles |
| t_{ret} | retention time | powered | 100 | 200 | - | years |
| | | not powered | 150 | 300 | - | years |
| t_{prog} | programming time | 64 bytes | - | 2.9 | - | ms |

12.2 External clock for the oscillator in slave mode

Remark: The input voltage on the XTALIN and XTALOUT pins must be $\leq 1.95\text{ V}$ (see [Table 11](#)). For connecting the oscillator to the XTAL pins, also see [Section 14.2](#).

Table 15. Dynamic characteristic: external clock (XTALIN input)

$T_{amb} = -40\text{ °C to }+105\text{ °C}$; V_{DD} over specified ranges. [1]

| Symbol | Parameter | Conditions | Min | Typ [2] | Max | Unit |
|---------------|----------------------|------------|--------------------------|---------|------|------|
| f_{osc} | oscillator frequency | | 1 | - | 25 | MHz |
| $T_{cy(clk)}$ | clock cycle time | | 40 | - | 1000 | ns |
| t_{CHCX} | clock HIGH time | | $T_{cy(clk)} \times 0.4$ | - | - | ns |
| t_{CLCX} | clock LOW time | | $T_{cy(clk)} \times 0.4$ | - | - | ns |
| t_{CLCH} | clock rise time | | - | - | 5 | ns |
| t_{CHCL} | clock fall time | | - | - | 5 | ns |

[1] Parameters are valid over operating temperature range unless otherwise specified.

[2] Typical ratings are not guaranteed. The values listed are for room temperature (25 °C), nominal supply voltages.

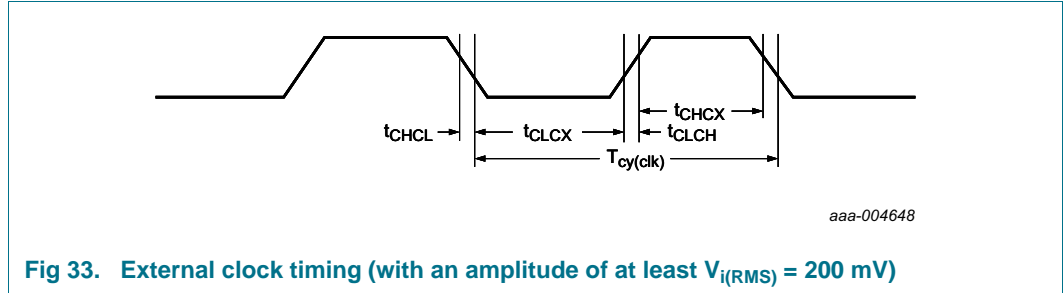


Fig 33. External clock timing (with an amplitude of at least $V_{i(RMS)} = 200\text{ mV}$)

12.3 Internal oscillators

Table 16. Dynamic characteristics: IRC

$T_{amb} = -40\text{ °C to }+105\text{ °C}; 2.7\text{ V} \leq V_{DD} \leq 3.6\text{ V}$ [1].

| Symbol | Parameter | Conditions | Min | Typ ^[2] | Max | Unit |
|---------------|----------------------------------|---|------------|--------------------|------------|------|
| $f_{osc(RC)}$ | internal RC oscillator frequency | $-25\text{ °C} \leq T_{amb} \leq +85\text{ °C}$ | 12 - 1% | 12 | 12 + 1 % | MHz |
| | | $-40\text{ °C} \leq T_{amb} < -25\text{ °C}$ | 12 - 2% | 12 | 12 + 1 % | MHz |
| | | $85\text{ °C} < T_{amb} \leq 105\text{ °C}$ | 12 - 1.5 % | 12 | 12 + 1.5 % | MHz |

[1] Parameters are valid over operating temperature range unless otherwise specified.

[2] Typical ratings are not guaranteed. The values listed are for room temperature (25 °C), nominal supply voltages.

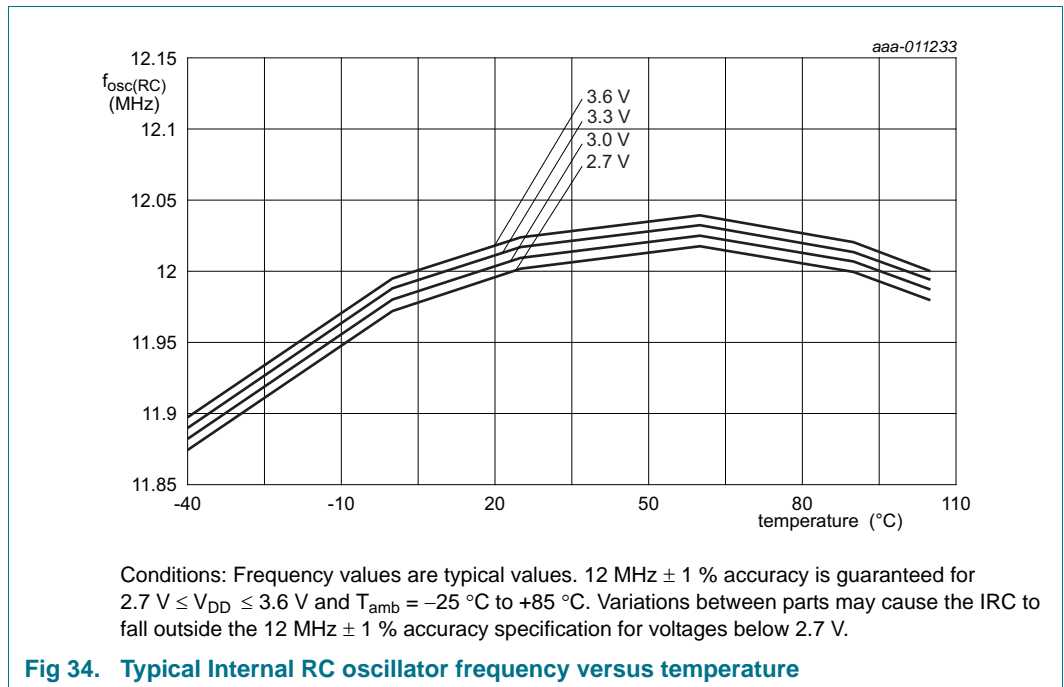


Fig 34. Typical Internal RC oscillator frequency versus temperature

Table 17. Dynamic characteristics: Watchdog oscillator

| Symbol | Parameter | Conditions | Min | Typ ^[1] | Max | Unit |
|-----------------------|-------------------------------|------------|-------|--------------------|-----|------|
| f _{osc(int)} | internal oscillator frequency | - | [2] - | 503 | - | kHz |

[1] Typical ratings are not guaranteed. The values listed are at nominal supply voltages.

[2] The typical frequency spread over processing and temperature (T_{amb} = -40 °C to +105 °C) is ±40 %.

12.4 I/O pins

Table 18. Dynamic characteristics: I/O pins^[1]

T_{amb} = -40 °C to +105 °C; 3.0 V ≤ V_{DD} ≤ 3.6 V.

| Symbol | Parameter | Conditions | Min | Typ | Max | Unit |
|----------------|-----------|--------------------------|-----|-----|-----|------|
| t _r | rise time | pin configured as output | 3.0 | - | 5.0 | ns |
| t _f | fall time | pin configured as output | 2.5 | - | 5.0 | ns |

[1] Applies to standard port pins and $\overline{\text{RESET}}$ pin.

12.5 I²C-bus

Table 19. Dynamic characteristic: I²C-bus pins^[1]

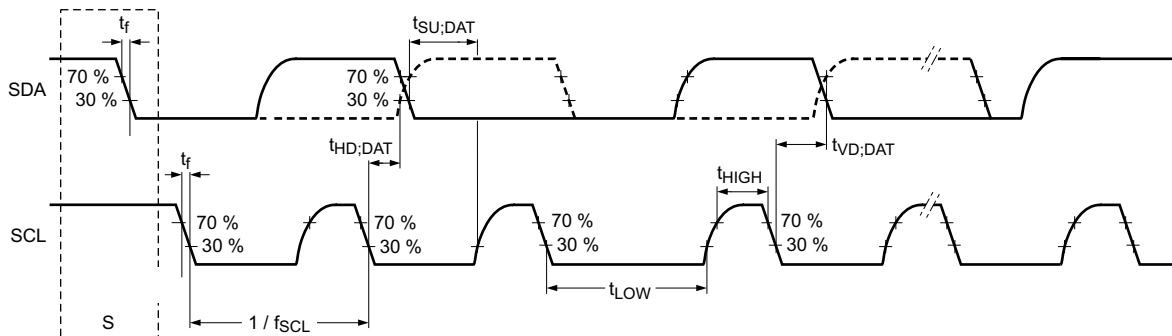
T_{amb} = -40 °C to +105 °C; values guaranteed by design.^[2]

| Symbol | Parameter | Conditions | Min | Max | Unit |
|---------------------|------------------------------|---|---------------------------|-----|------|
| f _{SCL} | SCL clock frequency | Standard-mode | 0 | 100 | kHz |
| | | Fast-mode | 0 | 400 | kHz |
| | | Fast-mode Plus; on pins PIO0_22 and PIO0_23 | 0 | 1 | MHz |
| t _f | fall time | [4][5][6][7] of both SDA and SCL signals | - | 300 | ns |
| | | Standard-mode | | | |
| | | Fast-mode | 20 + 0.1 × C _b | 300 | ns |
| t _{LOW} | LOW period of the SCL clock | Standard-mode | 4.7 | - | μs |
| | | Fast-mode | 1.3 | - | μs |
| | | Fast-mode Plus; on pins PIO0_22 and PIO0_23 | 0.5 | - | μs |
| t _{HIGH} | HIGH period of the SCL clock | Standard-mode | 4.0 | - | μs |
| | | Fast-mode | 0.6 | - | μs |
| | | Fast-mode Plus; on pins PIO0_22 and PIO0_23 | 0.26 | - | μs |
| t _{HD;DAT} | data hold time | [3][4][8] Standard-mode | 0 | - | μs |
| | | Fast-mode | 0 | - | μs |
| | | Fast-mode Plus; on pins PIO0_22 and PIO0_23 | 0 | - | μs |

Table 19. Dynamic characteristic: I²C-bus pins^[1]
T_{amb} = -40 °C to +105 °C; values guaranteed by design.^[2]

| Symbol | Parameter | Conditions | Min | Max | Unit |
|---------------------|------------------|---|-----|-----|------|
| t _{SU;DAT} | data set-up time | [9][10] Standard-mode | 250 | - | ns |
| | | Fast-mode | 100 | - | ns |
| | | Fast-mode Plus; on pins PIO0_22 and PIO0_23 | 50 | - | ns |

- [1] See the I²C-bus specification *UM10204* for details.
- [2] Parameters are valid over operating temperature range unless otherwise specified.
- [3] t_{HD;DAT} is the data hold time that is measured from the falling edge of SCL; applies to data in transmission and the acknowledge.
- [4] A device must internally provide a hold time of at least 300 ns for the SDA signal (with respect to the V_{IH(min)} of the SCL signal) to bridge the undefined region of the falling edge of SCL.
- [5] C_b = total capacitance of one bus line in pF.
- [6] The maximum t_f for the SDA and SCL bus lines is specified at 300 ns. The maximum fall time for the SDA output stage t_f is specified at 250 ns. This allows series protection resistors to be connected in between the SDA and the SCL pins and the SDA/SCL bus lines without exceeding the maximum specified t_f.
- [7] In Fast-mode Plus, fall time is specified the same for both output stage and bus timing. If series resistors are used, designers should allow for this when considering bus timing.
- [8] The maximum t_{HD;DAT} could be 3.45 μs and 0.9 μs for Standard-mode and Fast-mode but must be less than the maximum of t_{VD;DAT} or t_{VD;ACK} by a transition time (see *UM10204*). This maximum must only be met if the device does not stretch the LOW period (t_{LOW}) of the SCL signal. If the clock stretches the SCL, the data must be valid by the set-up time before it releases the clock.
- [9] t_{SU;DAT} is the data set-up time that is measured with respect to the rising edge of SCL; applies to data in transmission and the acknowledge.
- [10] A Fast-mode I²C-bus device can be used in a Standard-mode I²C-bus system but the requirement t_{SU;DAT} = 250 ns must then be met. This will automatically be the case if the device does not stretch the LOW period of the SCL signal. If such a device does stretch the LOW period of the SCL signal, it must output the next data bit to the SDA line t_{r(max)} + t_{SU;DAT} = 1000 + 250 = 1250 ns (according to the Standard-mode I²C-bus specification) before the SCL line is released. Also the acknowledge timing must meet this set-up time.



aaa-004643

Fig 35. I²C-bus pins clock timing

12.6 SPI interfaces

The maximum data bit rate is 17 Mbit/s in master mode and in slave mode.

Remark: SPI functions can be assigned to all digital pins. The characteristics are valid for all digital pins except the open-drain pins PIO0_22 and PIO0_23.

Table 20. SPI dynamic characteristics

$T_{amb} = -40\text{ }^{\circ}\text{C}$ to $105\text{ }^{\circ}\text{C}$; $2.4\text{ V} \leq V_{DD} \leq 3.6\text{ V}$; $C_L = 10\text{ pF}$; input slew = 1 ns. Simulated parameters sampled at the 50 % level of the rising or falling edge; values guaranteed by design.

| Symbol | Parameter | Min | Max | Unit |
|-------------------|------------------------|-----|-----|------|
| SPI master | | | | |
| t_{DS} | data set-up time | 30 | - | ns |
| t_{DH} | data hold time | 0 | - | ns |
| $t_{V(Q)}$ | data output valid time | - | 4 | ns |
| $t_{h(Q)}$ | data output hold time | 2 | - | ns |
| SPI slave | | | | |
| t_{DS} | data set-up time | 6 | - | ns |
| t_{DH} | data hold time | 0 | - | ns |
| $t_{V(Q)}$ | data output valid time | - | 29 | ns |
| $t_{h(Q)}$ | data output hold time | 12 | - | ns |

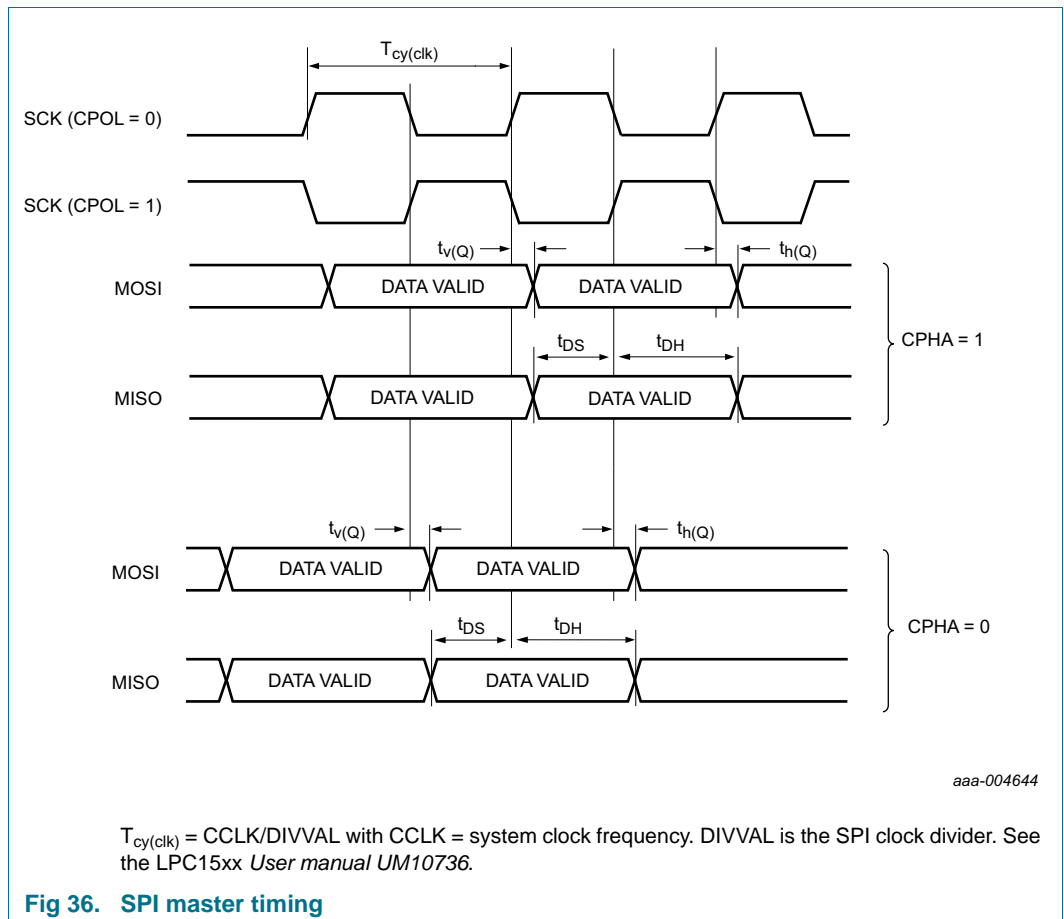


Fig 36. SPI master timing

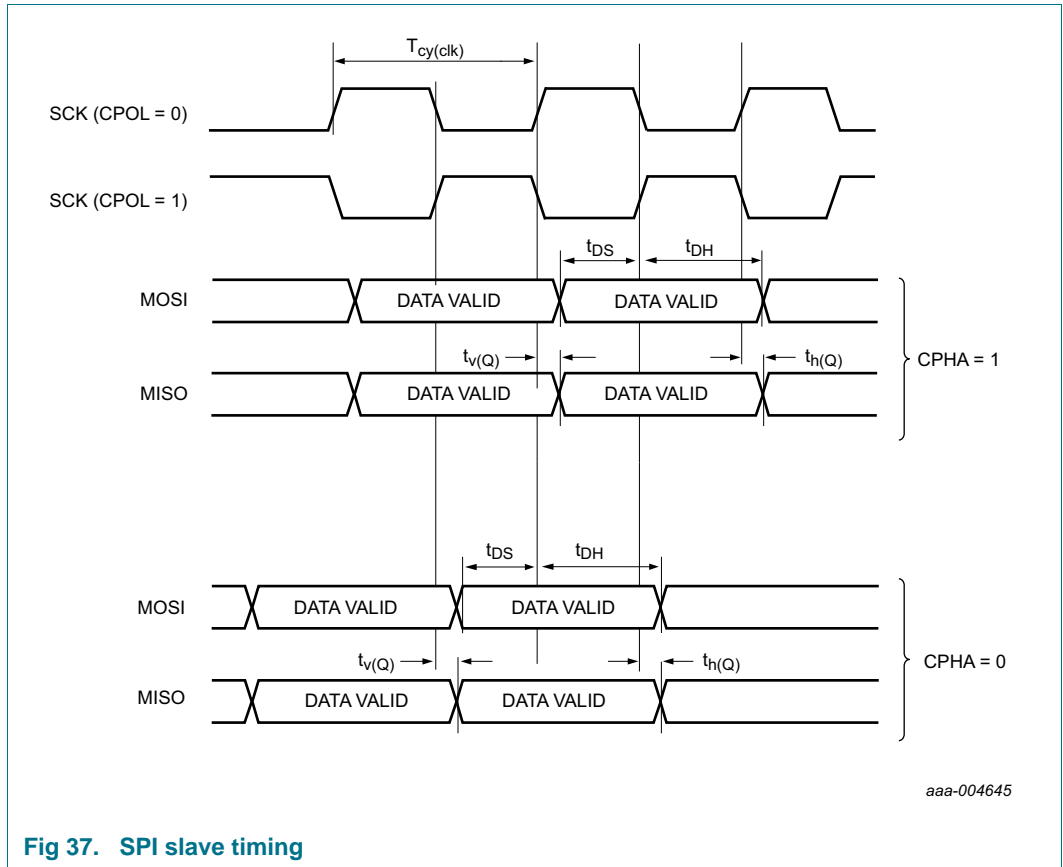


Fig 37. SPI slave timing

12.7 USART interface

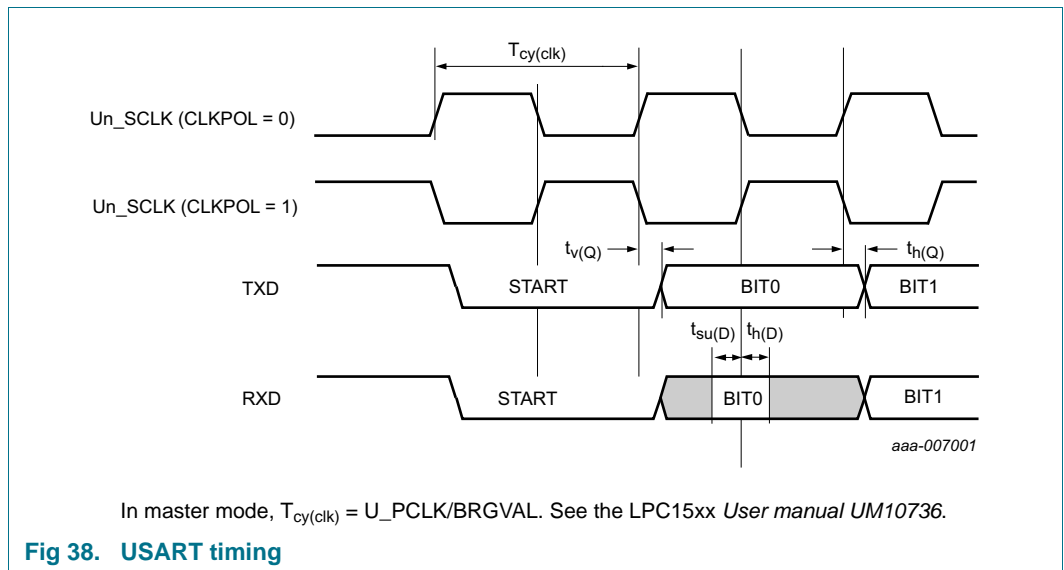
The maximum USART bit rate is 15 Mbit/s in synchronous mode master mode and 18 Mbit/s in synchronous slave mode.

Remark: USART functions can be assigned to all digital pins. The characteristics are valid for all digital pins except the open-drain pins PIO0_22 and PIO0_23.

Table 21. USART dynamic characteristics

$T_{amb} = -40\text{ }^{\circ}\text{C}$ to $105\text{ }^{\circ}\text{C}$; $2.4\text{ V} \leq V_{DD} \leq 3.6\text{ V}$; $C_L = 10\text{ pF}$; input slew = 10 ns . Simulated parameters sampled at the 50 % level of the falling or rising edge; values guaranteed by design.

| Symbol | Parameter | Min | Max | Unit |
|---|------------------------|-----|-----|------|
| USART master (in synchronous mode) | | | | |
| $t_{su(D)}$ | data input set-up time | 33 | - | ns |
| $t_{h(D)}$ | data input hold time | 0 | - | ns |
| $t_{v(Q)}$ | data output valid time | - | 7 | ns |
| $t_{h(Q)}$ | data output hold time | 2 | - | ns |
| USART slave (in synchronous mode) | | | | |
| $t_{su(D)}$ | data input set-up time | 13 | - | ns |
| $t_{h(D)}$ | data input hold time | 0 | - | ns |
| $t_{v(Q)}$ | data output valid time | - | 28 | ns |
| $t_{h(Q)}$ | data output hold time | 12 | - | ns |



12.8 SCT output timing

Table 22. SCT output dynamic characteristics

$T_{amb} = -40\text{ }^{\circ}\text{C}$ to $105\text{ }^{\circ}\text{C}$; $2.4\text{ V} \leq V_{DD} \leq 3.6\text{ V}$ $C_I = 10\text{ pF}$. Simulated skew (over process, voltage, and temperature) of any two SCT fixed-pin output signals; sampled at the 50 % level of the falling or rising edge; values guaranteed by design.

| Symbol | Parameter | Conditions | Min | Typ | Max | Unit |
|-------------|------------------|--------------|-----|-----|-----|------|
| $t_{sk(o)}$ | output skew time | SCTimer0/PWM | - | - | 4 | ns |
| | | SCTimer1/PWM | - | - | 3 | ns |
| | | SCTimer2/PWM | - | - | 1 | ns |
| | | SCTimer3/PWM | - | - | 2 | ns |

13. Characteristics of analog peripherals

Table 23. BOD static characteristics^[1]

$T_{amb} = 25\text{ }^{\circ}\text{C}$.

| Symbol | Parameter | Conditions | Min | Typ | Max | Unit |
|----------|-------------------|-------------------|-----|------|-----|------|
| V_{th} | threshold voltage | interrupt level 2 | | | | |
| | | assertion | - | 2.55 | - | V |
| | | de-assertion | - | 2.69 | - | V |
| | | interrupt level 3 | | | | |
| | | assertion | - | 2.83 | - | V |
| | | de-assertion | - | 2.96 | - | V |
| | | reset level 2 | | | | |
| | | assertion | - | 2.34 | - | V |
| | | de-assertion | - | 2.49 | - | V |
| | | reset level 3 | | | | |
| | | assertion | - | 2.64 | - | V |
| | | de-assertion | - | 2.79 | - | V |

[1] Interrupt levels are selected by writing the level value to the BOD control register BODCTRL, see *the LPC15xx user manual*.

Table 24. 12-bit ADC static characteristics

$T_{amb} = -40\text{ }^{\circ}\text{C}$ to $+105\text{ }^{\circ}\text{C}$; $V_{DD} = 2.4\text{ V}$ to 3.6 V ; $V_{REFP} = V_{DDA}$; $V_{SSA} = 0$; $V_{REFN} = V_{SSA}$.

| Symbol | Parameter | Conditions | Min | Max | Unit |
|----------------|------------------------------|-----------------------------|------------|-----------|------------|
| V_{IA} | analog input voltage | | [1] 0 | V_{DDA} | V |
| C_{ia} | analog input capacitance | | - | 0.32 | pF |
| $f_{clk(ADC)}$ | ADC clock frequency | $V_{DDA} \geq 2.7\text{ V}$ | | 50 | MHz |
| | | $V_{DDA} \geq 2.4\text{ V}$ | | 25 | MHz |
| f_s | sampling frequency | $V_{DDA} \geq 2.7\text{ V}$ | - | 2 | Msamples/s |
| | | $V_{DDA} \geq 2.4\text{ V}$ | - | 1 | Msamples/s |
| E_D | differential linearity error | | [2] - | +/- 2 | LSB |
| $E_{L(adj)}$ | integral non-linearity | | [3] - | +/- 2 | LSB |
| E_O | offset error | | [4] - | +/- 3 | LSB |
| $V_{err(fs)}$ | full-scale error voltage | 2 Msamples/s | [5] - | +/- 0.12 | % |
| | | 1 Msamples/s | | +/- 0.07 | % |
| Z_i | input impedance | $f_s = 2\text{ Msamples/s}$ | [6][7] 0.1 | - | M Ω |

- [1] The input resistance of ADC channel 0 is higher than for all other channels.
- [2] The differential linearity error (E_D) is the difference between the actual step width and the ideal step width. See [Figure 40](#).
- [3] The integral non-linearity ($E_{L(adj)}$) is the peak difference between the center of the steps of the actual and the ideal transfer curve after appropriate adjustment of gain and offset errors. See [Figure 40](#).
- [4] The offset error (E_O) is the absolute difference between the straight line which fits the actual curve and the straight line which fits the ideal curve. See [Figure 40](#).
- [5] The full-scale error voltage or gain error (E_G) is the difference between the straight line fitting the actual transfer curve after removing offset error, and the straight line which fits the ideal transfer curve. See [Figure 40](#).
- [6] $T_{amb} = 25\text{ }^{\circ}\text{C}$; maximum sampling frequency $f_s = 2\text{ Msamples/s}$ and analog input capacitance $C_{ia} = 0.1\text{ pF}$.
- [7] Input impedance Z_i is inversely proportional to the sampling frequency and the total input capacity including C_{ia} and C_{io} : $Z_i \propto 1 / (f_s \times C_i)$. See [Table 11](#) for C_{io} .

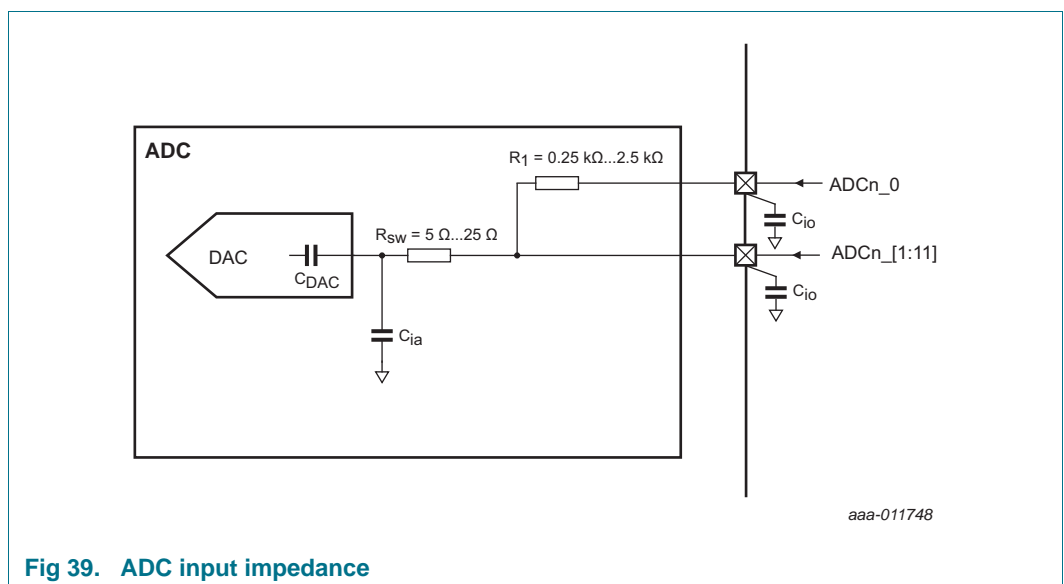
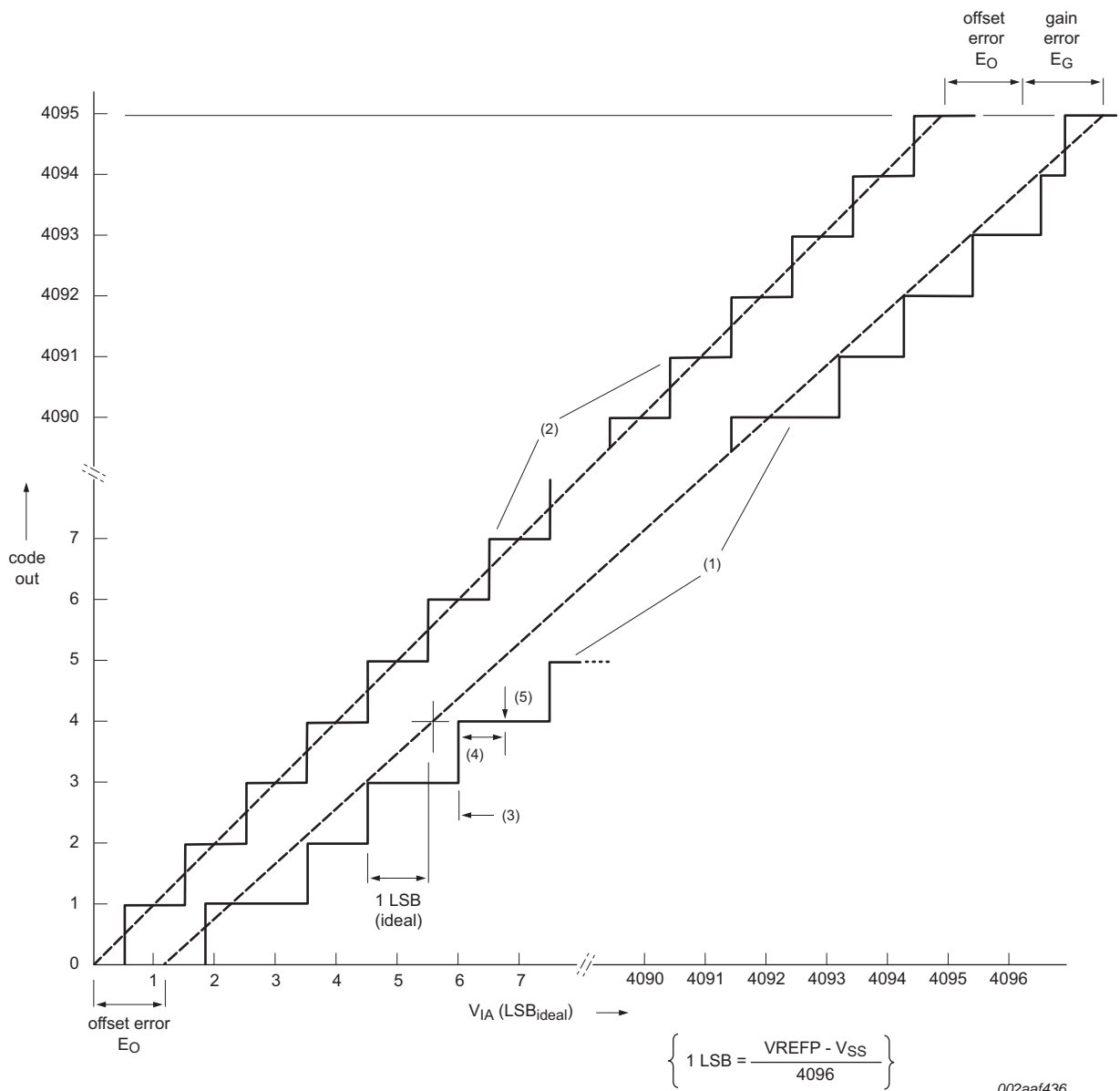


Fig 39. ADC input impedance



- (1) Example of an actual transfer curve.
- (2) The ideal transfer curve.
- (3) Differential linearity error (E_D).
- (4) Integral non-linearity ($E_{L(adj)}$).
- (5) Center of a step of the actual transfer curve.

Fig 40. 12-bit ADC characteristics

Table 25. DAC static and dynamic characteristics

$V_{DDA} = 2.4\text{ V to }3.6\text{ V}$; $T_{amb} = -40\text{ }^{\circ}\text{C to }+105\text{ }^{\circ}\text{C}$ unless otherwise specified; $C_L = 100\text{ pF}$; $R_L = 10\text{ k}\Omega$.

| Symbol | Parameter | Conditions | Min | Typ [1] | Max | Unit |
|--------------|------------------------------|---|-----|------------|-----------------|---------------|
| $f_{c(DAC)}$ | DAC conversion frequency | | - | - | 500 | kSamples/s |
| R_O | output resistance | | - | 300 | | Ω |
| t_s | settling time | | - | - | 2.5 | μs |
| E_D | differential linearity error | | - | - | +/-0.4 | LSB |
| $E_{L(adj)}$ | integral non-linearity | | - | - | +/-3 | LSB |
| E_O | offset error | $V_{DDA} = 3.3\text{ V}$ | - | - | +/-9 | LSB |
| | | $V_{DDA} = 2.4\text{ V}$ | - | - | +/-8 | LSB |
| E_G | gain error | | - | - | +/- 0.1 | % |
| V_O | output voltage | Output voltage range with less than 1 LSB deviation; with minimum R_L connected to ground or power supply | - | - | $V_{DDA} - 0.3$ | V |

[1] Typical ratings are not guaranteed. The values listed are at room temperature (25 °C), nominal supply voltages.

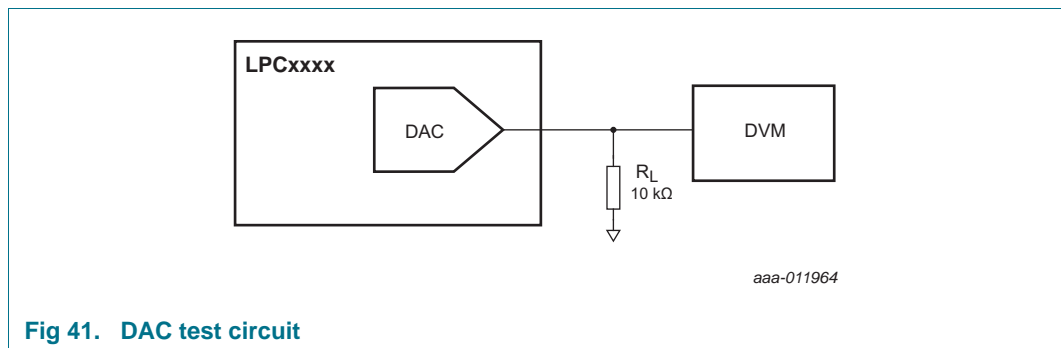


Fig 41. DAC test circuit

Table 26. Internal voltage reference static and dynamic characteristics

| Symbol | Parameter | Conditions | Min | Typ | Max | Unit |
|--------------------|------------------------|--------------------------------------|---------|-----|-----|------|
| V _O | output voltage | T _{amb} = -40 °C to +105 °C | [1] 875 | - | 925 | mV |
| | | T _{amb} = 25 °C | | 905 | | mV |
| t _{s(pu)} | power-up settling time | to 99% of V _O | - | - | 125 | µs |

[1] Maximum and minimum values are measured on samples from the corners of the process matrix lot.

[2] Settling time applies to switching between comparator and ADC channels.

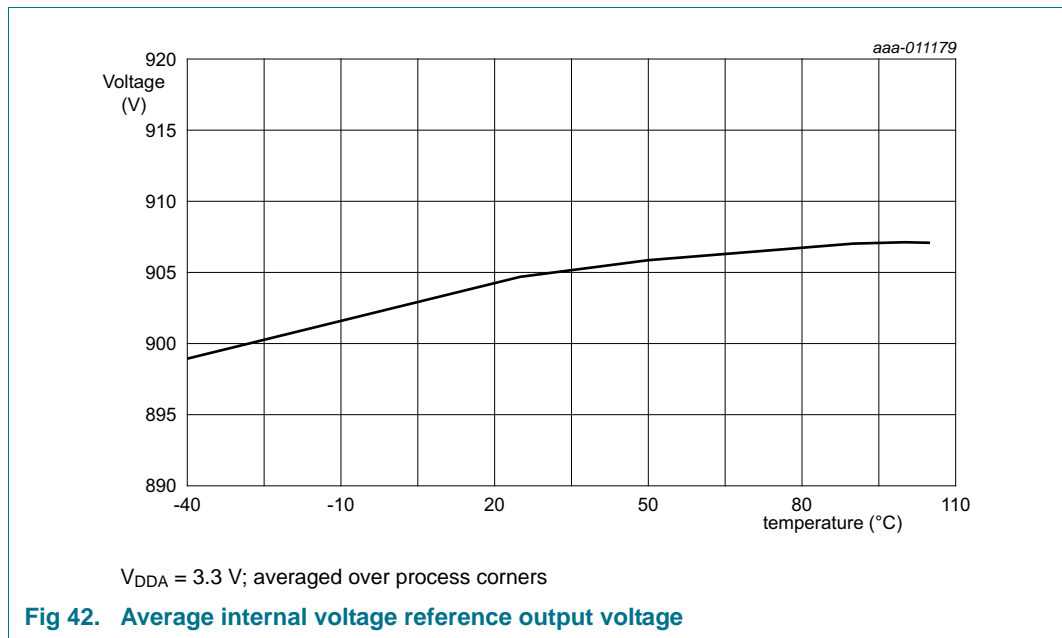


Table 27. Temperature sensor static and dynamic characteristics

$V_{DDA} = 2.4\text{ V to }3.6\text{ V}$

| Symbol | Parameter | Conditions | Min | Typ | Max | Unit |
|-------------|-----------------------------|---|-----|-----|-----|--------------------|
| DT_{sen} | sensor temperature accuracy | $T_{amb} = -40\text{ }^{\circ}\text{C to }+105\text{ }^{\circ}\text{C}$ [1] - | - | - | 5 | $^{\circ}\text{C}$ |
| E_L | linearity error | $T_{amb} = -40\text{ }^{\circ}\text{C to }+105\text{ }^{\circ}\text{C}$ | - | - | 5 | $^{\circ}\text{C}$ |
| $t_{s(pu)}$ | power-up settling time | to 99% of temperature sensor output value [2][3] - | - | 81 | 110 | μs |

[1] Absolute temperature accuracy.

[2] Typical values are derived from nominal simulation ($V_{DDA} = 3.3\text{ V}$; $T_{amb} = 27\text{ }^{\circ}\text{C}$; nominal process models). Maximum values are derived from worst case simulation ($V_{DDA} = 2.6\text{ V}$; $T_{amb} = 105\text{ }^{\circ}\text{C}$; slow process models).

[3] Internal voltage reference must be powered before the temperature sensor can be turned on.

[4] Settling time applies to switching between comparator and ADC channels.

Table 28. Temperature sensor Linear-Least-Square (LLS) fit parameters

$V_{DDA} = 2.4\text{ V to }3.6\text{ V}$

| Fit parameter | Range | Min | Typ | Max | Unit |
|--|---|---------|-------|-----|------------------------------|
| LLS slope | $T_{amb} = -40\text{ }^{\circ}\text{C to }+105\text{ }^{\circ}\text{C}$ | [1] - | -2.29 | - | $\text{mV}/^{\circ}\text{C}$ |
| LLS intercept at $0\text{ }^{\circ}\text{C}$ | $T_{amb} = -40\text{ }^{\circ}\text{C to }+105\text{ }^{\circ}\text{C}$ | [1] - | 577.3 | - | mV |
| Value at $30\text{ }^{\circ}\text{C}$ | | [2] 502 | - | 514 | mV |

[1] Measured over matrix samples.

[2] Measured for samples over process corners.

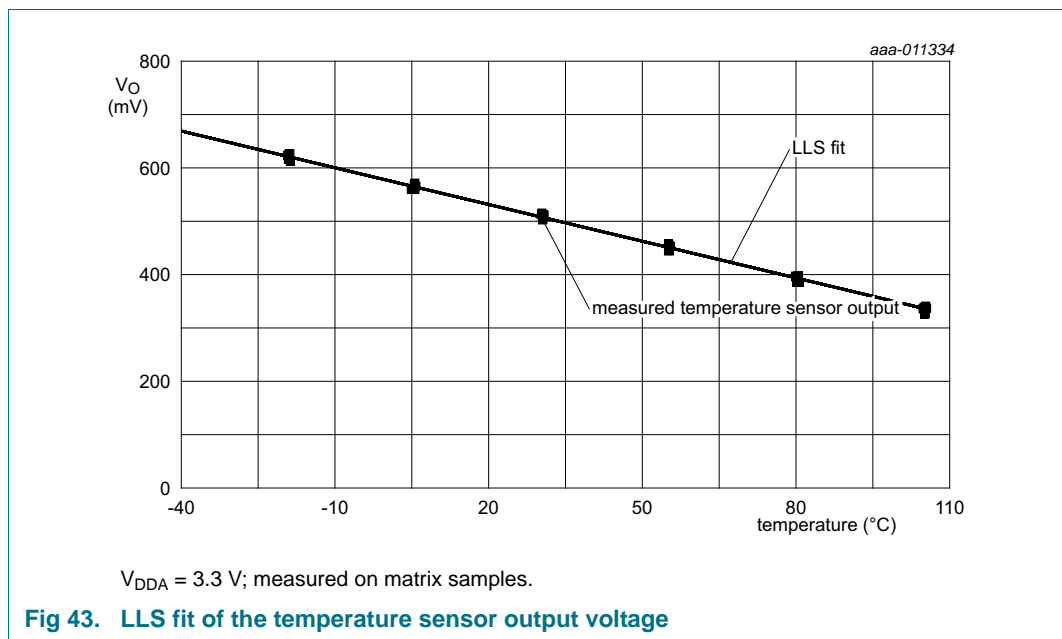


Table 29. Comparator characteristics

$V_{DDA} = 3.0\text{ V}$. $DLY = 0x0$ in the analog comparator CTRL register for shortest propagation delay setting. See the LPC15xx user manual UM10736.

| Symbol | Parameter | Conditions | Min | Typ | Max | Unit | |
|--------------------------------|---------------------------|--|--------|-------|-----------|---------------|----|
| Static characteristics | | | | | | | |
| I_{DD} | supply current | $VP > VM$ | - | 48 | - | μA | |
| | | $VM > VP$ | - | 38 | - | μA | |
| V_{IC} | common-mode input voltage | | 0 | - | V_{DDA} | V | |
| DV_O | output voltage variation | | 0 | - | V_{DD} | V | |
| V_{offset} | offset voltage | $V_{IC} = 0.1\text{ V}$ | - | +/- 3 | - | mV | |
| | | $V_{IC} = 1.5\text{ V}$ | - | +/- 3 | - | mV | |
| | | $V_{IC} = 2.9\text{ V}$ | - | +/- 6 | - | mV | |
| Dynamic characteristics | | | | | | | |
| $t_{startup}$ | start-up time | nominal process | - | 4.5 | 6 | μs | |
| t_{PD} | propagation delay | HIGH to LOW; $V_{DDA} = 3.0\text{ V}$; $V_{IC} = 0.1\text{ V}$; 50 mV overdrive input | [1] | - | 86 | 130 | ns |
| | | $V_{IC} = 0.1\text{ V}$; rail-to-rail input | [1] | - | 196 | 250 | ns |
| | | $V_{IC} = 1.5\text{ V}$; 50 mV overdrive input | [1] | - | 68 | 110 | ns |
| | | $V_{IC} = 1.5\text{ V}$; rail-to-rail input | [1] | - | 64 | 90 | ns |
| | | $V_{IC} = 2.9\text{ V}$; 50 mV overdrive input | [1] | - | 86 | 130 | ns |
| | | $V_{IC} = 2.9\text{ V}$; rail-to-rail input | [1] | - | 48 | 80 | ns |
| t_{PD} | propagation delay | LOW to HIGH; $V_{DDA} = 3.0\text{ V}$; $V_{IC} = 0.1\text{ V}$; 50 mV overdrive input | [1] | - | 98 | 130 | ns |
| | | $V_{IC} = 0.1\text{ V}$; rail-to-rail input | [1] | - | 24 | 40 | ns |
| | | $V_{IC} = 1.5\text{ V}$; 50 mV overdrive input | [1] | - | 88 | 130 | ns |
| | | $V_{IC} = 1.5\text{ V}$; rail-to-rail input | [1] | - | 68 | 120 | ns |
| | | $V_{IC} = 2.9\text{ V}$; 50 mV overdrive input | [1] | - | 84 | 110 | ns |
| | | $V_{IC} = 2.9\text{ V}$; rail-to-rail input | [1] | - | 98 | 180 | ns |
| V_{hys} | hysteresis voltage | positive hysteresis; $V_{DDA} = 3.0\text{ V}$; $V_{IC} = 1.5\text{ V}$; settings: | [2] | | | | |
| | | 5 mV | | 3 | - | 8 | mV |
| | | 10 mV | | 8 | - | 13 | mV |
| V_{hys} | hysteresis voltage | negative hysteresis; $V_{DDA} = 3.0\text{ V}$; $V_{IC} = 1.5\text{ V}$; settings: | [1][2] | | | | |
| | | 5 mV | | 3 | - | 9 | mV |
| | | 10 mV | | 8 | - | 18 | mV |
| V_{hys} | hysteresis voltage | 15 mV | | 17 | - | 25 | mV |
| | | 15 mV | | 18 | - | 27 | mV |
| R_{lad} | ladder resistance | - | - | 1 | - | $M\Omega$ | |

[1] $C_L = 10\text{ pF}$; results from measurements on silicon samples over process corners and over the full temperature range $T_{amb} = -40\text{ }^\circ\text{C}$ to $+105\text{ }^\circ\text{C}$.

[2] Input hysteresis is relative to the reference input channel and is software programmable.

Table 30. Comparator voltage ladder dynamic characteristics

| Symbol | Parameter | Conditions | Min | Typ | Max | Unit |
|-------------|-------------------------|---------------------------------------|-----|-----|-----|---------------|
| $t_{s(pu)}$ | power-up settling time | to 99% of voltage ladder output value | - | - | 30 | μs |
| $t_{s(sw)}$ | switching settling time | to 99% of voltage ladder output value | - | - | 20 | μs |

Table 31. Comparator voltage ladder reference static characteristics

$V_{DD(3V3)} = 3.3\text{ V}$; $T_{amb} = -40\text{ }^{\circ}\text{C}$ to $+105\text{ }^{\circ}\text{C}$; external or internal reference.

| Symbol | Parameter | Conditions | Min | Typ | Max ^[1] | Unit |
|------------|----------------------|----------------------------------|------|-----|--------------------|------|
| $E_{V(O)}$ | output voltage error | decimal code = 00 ^[2] | - | 0 | 3 | mV |
| | | decimal code = 08 | -1.5 | 0 | +1.5 | % |
| | | decimal code = 16 | -1.5 | 0 | +1.5 | % |
| | | decimal code = 24 | -1.5 | 0 | +1.5 | % |
| | | decimal code = 30 | -1.5 | 0 | +1.5 | % |
| | | decimal code = 31 | -1.5 | 0 | +1.5 | % |

[1] Measured over a polyresistor matrix lot with a 2 kHz input signal and overdrive $< 100\text{ }\mu\text{V}$.

[2] All peripherals except comparator, temperature sensor, and IRC turned off.

14. Application information

14.1 Suggested USB interface solutions

The USB device can be connected to the USB as self-powered device (see [Figure 44](#)) or bus-powered device (see [Figure 45](#)).

On the LPC15xx, the PIO0_3/USB_VBUS pin is 5 V tolerant only when V_{DD} is applied and at operating voltage level. Therefore, if the USB_VBUS function is connected to the USB connector and the device is self-powered, the USB_VBUS pin must be protected for situations when $V_{DD} = 0$ V.

If V_{DD} is always greater than 0 V while $VBUS = 5$ V, the USB_VBUS pin can be connected directly to the VBUS pin on the USB connector.

For systems where V_{DD} can be 0 V and VBUS is directly applied to the VBUS pin, precautions must be taken to reduce the voltage to below 3.6 V, which is the maximum allowable voltage on the USB_VBUS pin in this case.

One method is to use a voltage divider to connect the USB_VBUS pin to the VBUS on the USB connector. The voltage divider ratio should be such that the USB_VBUS pin will be greater than $0.7V_{DD}$ to indicate a logic HIGH while below the 3.6 V allowable maximum voltage.

For the following operating conditions

$$VBUS_{max} = 5.25 \text{ V}$$

$$V_{DD} = 3.6 \text{ V,}$$

the voltage divider should provide a reduction of $3.6 \text{ V}/5.25 \text{ V}$ or $\sim 0.686 \text{ V}$.

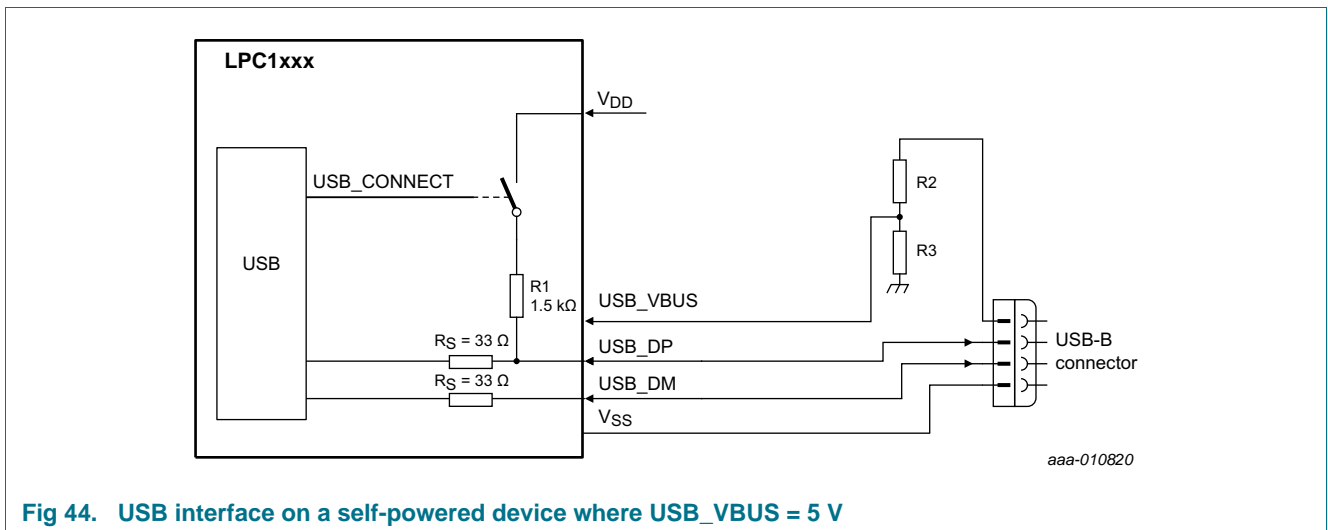


Fig 44. USB interface on a self-powered device where USB_VBUS = 5 V

For a bus-powered device, the VBUS signal does not need to be connected to the USB_VBUS pin (see [Figure 45](#)). The USB_CONNECT function can additionally be enabled internally by setting the DCON bit in the DEVCMDSTAT register to prevent the USB from timing out when there is a significant delay between power-up and handling USB traffic. External circuitry is not required for the USB_CONNECT functionality.

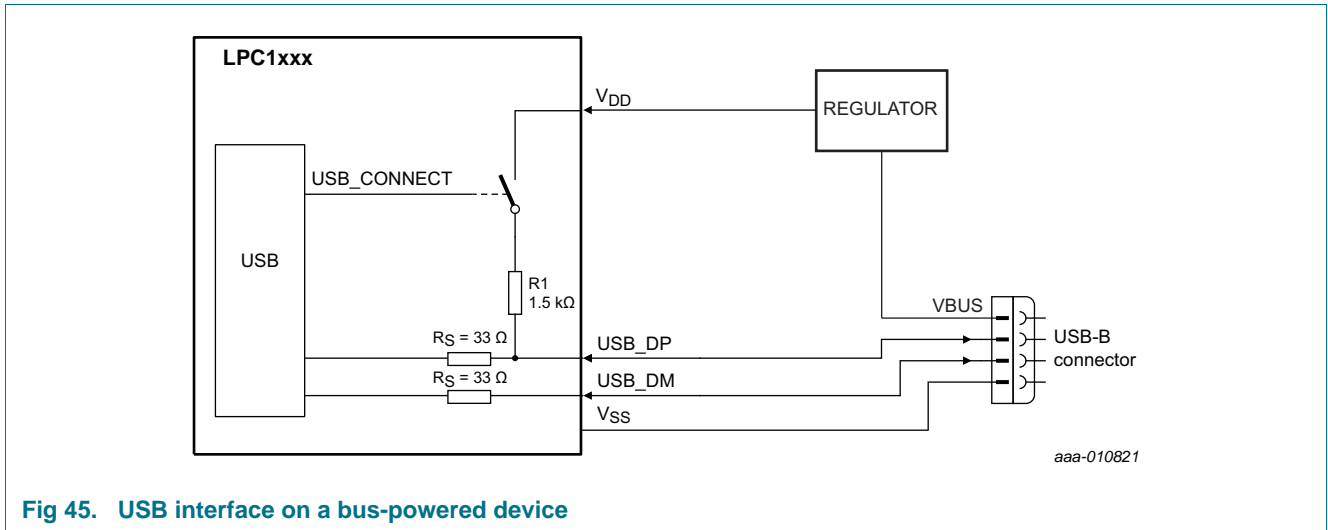


Fig 45. USB interface on a bus-powered device

Remark: When a bus-powered circuit as shown in [Figure 45](#) is used or, for a self-powered device, when the VBUS pin is not connected, configure the PIO0_3/USB_VBUS pin for GPIO (PIO0_3) in the IOCON block. This ties the VBUS signal HIGH internally.

14.1.1 USB Low-speed operation

The USB device controller can be used in low-speed mode supporting 1.5 Mbit/s data exchange with a USB host controller.

Remark: To operate in low-speed mode, change the board connections as follows:

1. Connect USB_DP to the D- pin of the connector.
2. Connect USB_DM to the D+ pin of the connector.

External 10 Ω resistors are recommended in low-speed mode to reduce over-shoots and accommodate for 5 m cable length required for USB-IF testing.

14.2 XTAL input and crystal oscillator component selection

The input voltage to the on-chip oscillators is limited to 1.8 V. If the oscillator is driven by a clock in slave mode, it is recommended that the input be coupled through a capacitor with $C_i = 100 \text{ pF}$. To limit the input voltage to the specified range, choose an additional capacitor to ground C_g which attenuates the input voltage by a factor $C_i / (C_i + C_g)$. In slave mode, a minimum of 200 mV(RMS) is needed.

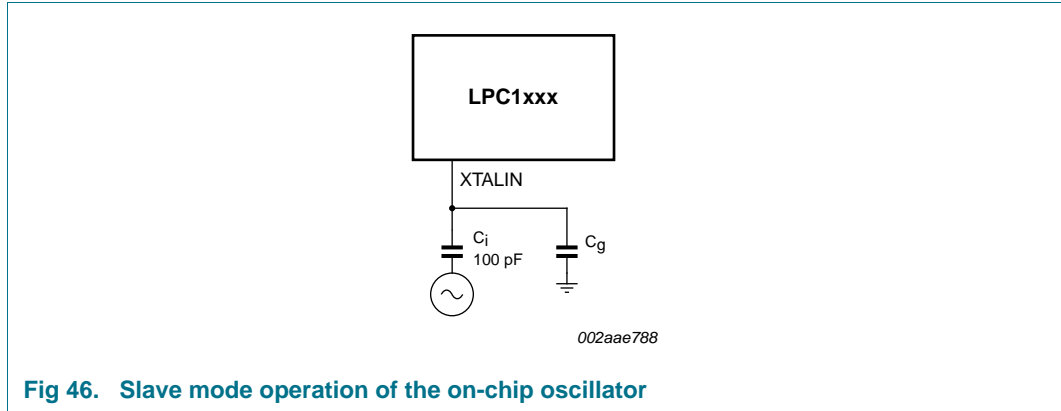


Fig 46. Slave mode operation of the on-chip oscillator

In slave mode the input clock signal should be coupled by means of a capacitor of 100 pF (Figure 46), with an amplitude between 200 mV (RMS) and 1000 mV (RMS). This corresponds to a square wave signal with a signal swing of between 280 mV and 1.4 V. The XTALOUT pin in this configuration can be left unconnected.

External components and models used in oscillation mode are shown in Figure 47 and in Table 32 and Table 33. Since the feedback resistance is integrated on chip, only a crystal and the capacitances C_{X1} and C_{X2} need to be connected externally in case of fundamental mode oscillation (the fundamental frequency is represented by L , C_L and R_S). Capacitance C_P in Figure 47 represents the parallel package capacitance and should not be larger than 7 pF. Parameters F_{OSC} , C_L , R_S and C_P are supplied by the crystal manufacturer (see Table 32).

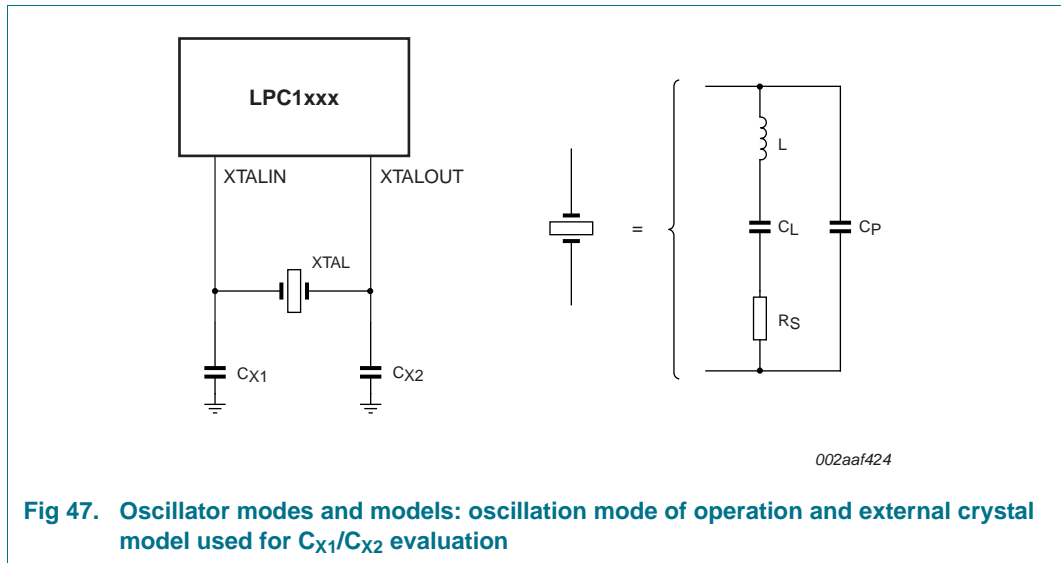


Fig 47. Oscillator modes and models: oscillation mode of operation and external crystal model used for C_{X1}/C_{X2} evaluation

Table 32. Recommended values for C_{X1}/C_{X2} in oscillation mode (crystal and external components parameters) low frequency mode

| Fundamental oscillation frequency F_{OSC} | Crystal load capacitance C_L | Maximum crystal series resistance R_S | External load capacitors C_{X1} , C_{X2} |
|---|--------------------------------|---|--|
| 1 MHz to 5 MHz | 10 pF | < 300 Ω | 18 pF, 18 pF |
| | 20 pF | < 300 Ω | 39 pF, 39 pF |
| | 30 pF | < 300 Ω | 57 pF, 57 pF |

Table 32. Recommended values for C_{X1}/C_{X2} in oscillation mode (crystal and external components parameters) low frequency mode

| Fundamental oscillation frequency F_{OSC} | Crystal load capacitance C_L | Maximum crystal series resistance R_S | External load capacitors C_{X1}, C_{X2} |
|---|--------------------------------|---|---|
| 5 MHz to 10 MHz | 10 pF | < 300 Ω | 18 pF, 18 pF |
| | 20 pF | < 200 Ω | 39 pF, 39 pF |
| | 30 pF | < 100 Ω | 57 pF, 57 pF |
| 10 MHz to 15 MHz | 10 pF | < 160 Ω | 18 pF, 18 pF |
| | 20 pF | < 60 Ω | 39 pF, 39 pF |
| 15 MHz to 20 MHz | 10 pF | < 80 Ω | 18 pF, 18 pF |

Table 33. Recommended values for C_{X1}/C_{X2} in oscillation mode (crystal and external components parameters) high frequency mode

| Fundamental oscillation frequency F_{OSC} | Crystal load capacitance C_L | Maximum crystal series resistance R_S | External load capacitors C_{X1}, C_{X2} |
|---|--------------------------------|---|---|
| 15 MHz to 20 MHz | 10 pF | < 180 Ω | 18 pF, 18 pF |
| | 20 pF | < 100 Ω | 39 pF, 39 pF |
| 20 MHz to 25 MHz | 10 pF | < 160 Ω | 18 pF, 18 pF |
| | 20 pF | < 80 Ω | 39 pF, 39 pF |

14.3 XTAL Printed-Circuit Board (PCB) layout guidelines

The crystal should be connected on the PCB as close as possible to the oscillator input and output pins of the chip. Take care that the load capacitors C_{X1} , C_{X2} , and C_{X3} in case of third overtone crystal usage have a common ground plane. The external components must also be connected to the ground plane. Loops must be made as small as possible in order to keep the noise coupled in via the PCB as small as possible. Also parasitics should stay as small as possible. Smaller values of C_{X1} and C_{X2} should be chosen according to the increase in parasitics of the PCB layout.

14.4 RTC oscillator component selection

The 32 kHz crystal must be connected to the part via the RTCXIN and RTCXOUT pins as shown in [Figure 48](#). If the RTC is not used, the RTCXIN pin can be grounded.

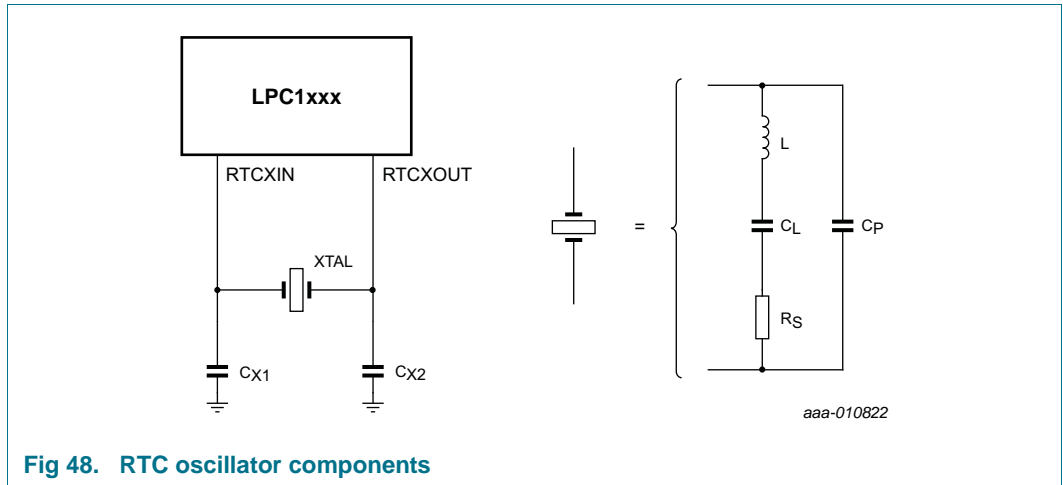


Fig 48. RTC oscillator components

Select C_{x1} and C_{x2} based on the external 32 kHz crystal used in the application circuitry. The pad capacitance C_P of the RTCXIN and RTCXOUT pad is 3 pF. If the external crystal's load capacitance is C_L , the optimal C_{x1} and C_{x2} can be selected as:

$$C_{x1} = C_{x2} = 2 \times C_L - C_P$$

15. Package outline

LQFP48: plastic low profile quad flat package; 48 leads; body 7 x 7 x 1.4 mm

SOT313-2

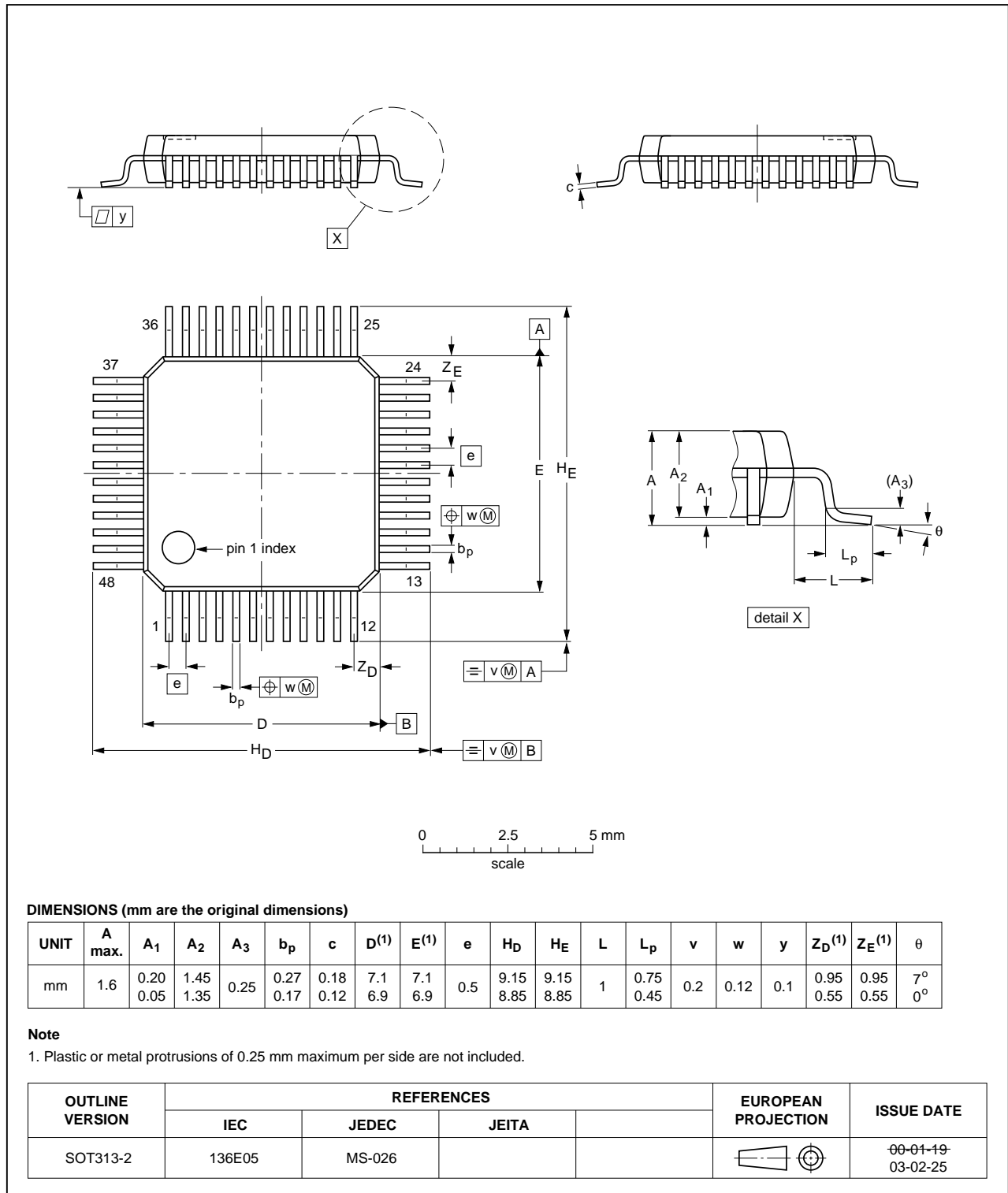


Fig 49. Package outline LQFP48 (SOT313-2)

LQFP64: plastic low profile quad flat package; 64 leads; body 10 x 10 x 1.4 mm

SOT314-2

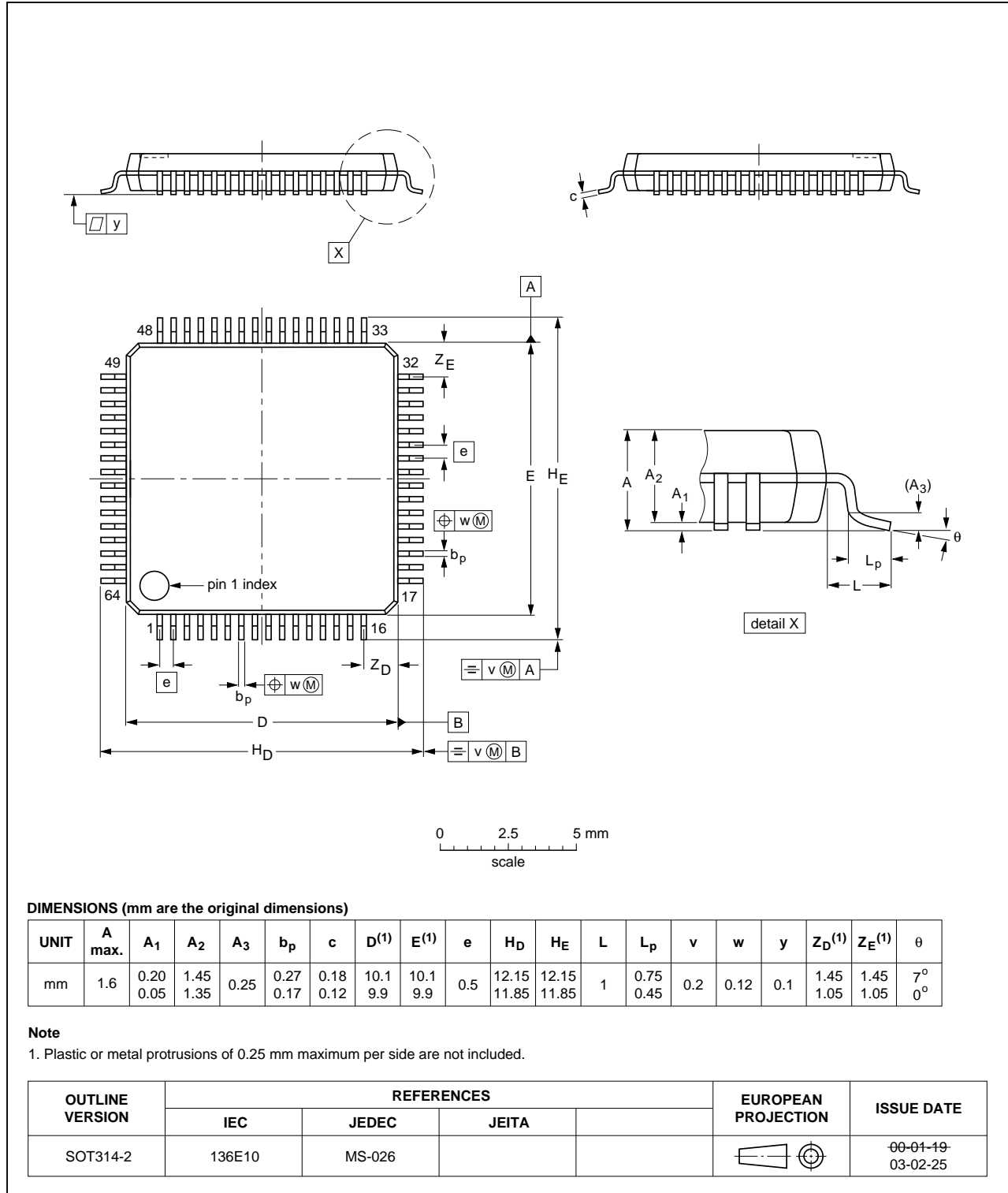


Fig 50. Package outline LQFP64 (SOT314-2)

LQFP100: plastic low profile quad flat package; 100 leads; body 14 x 14 x 1.4 mm

SOT407-1

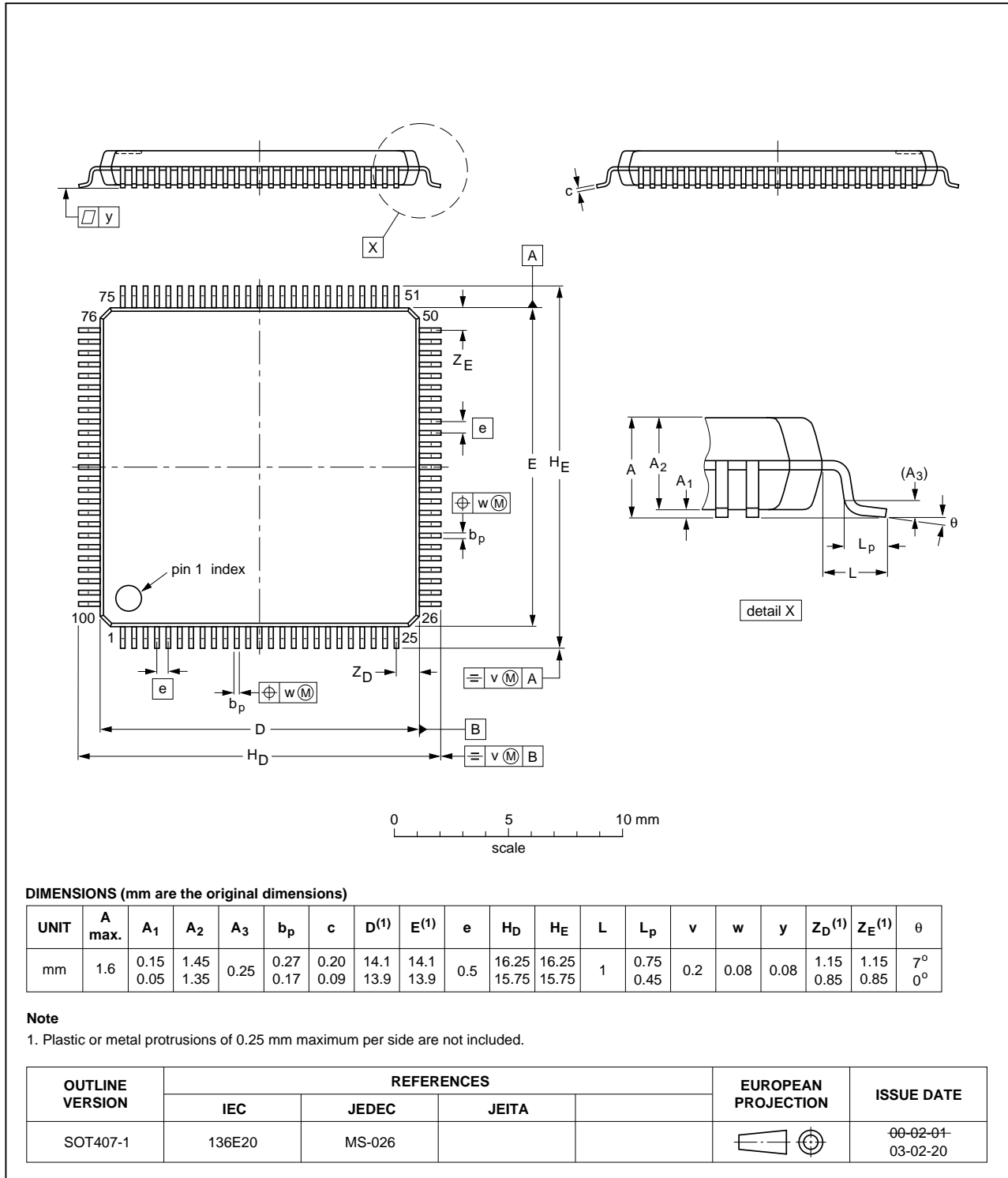


Fig 51. Package outline LQFP100 (SOT407-1)

16. Soldering

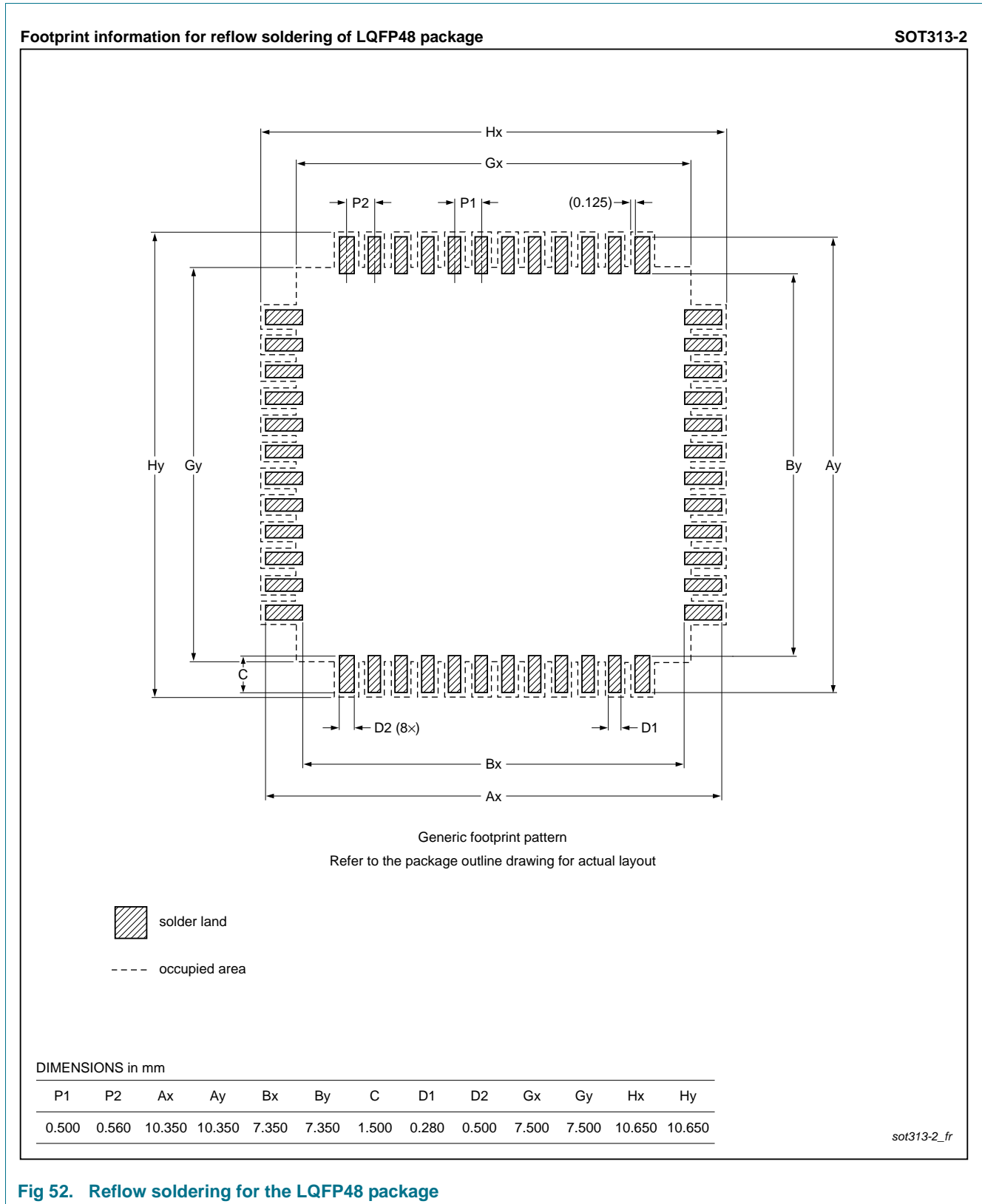


Fig 52. Reflow soldering for the LQFP48 package

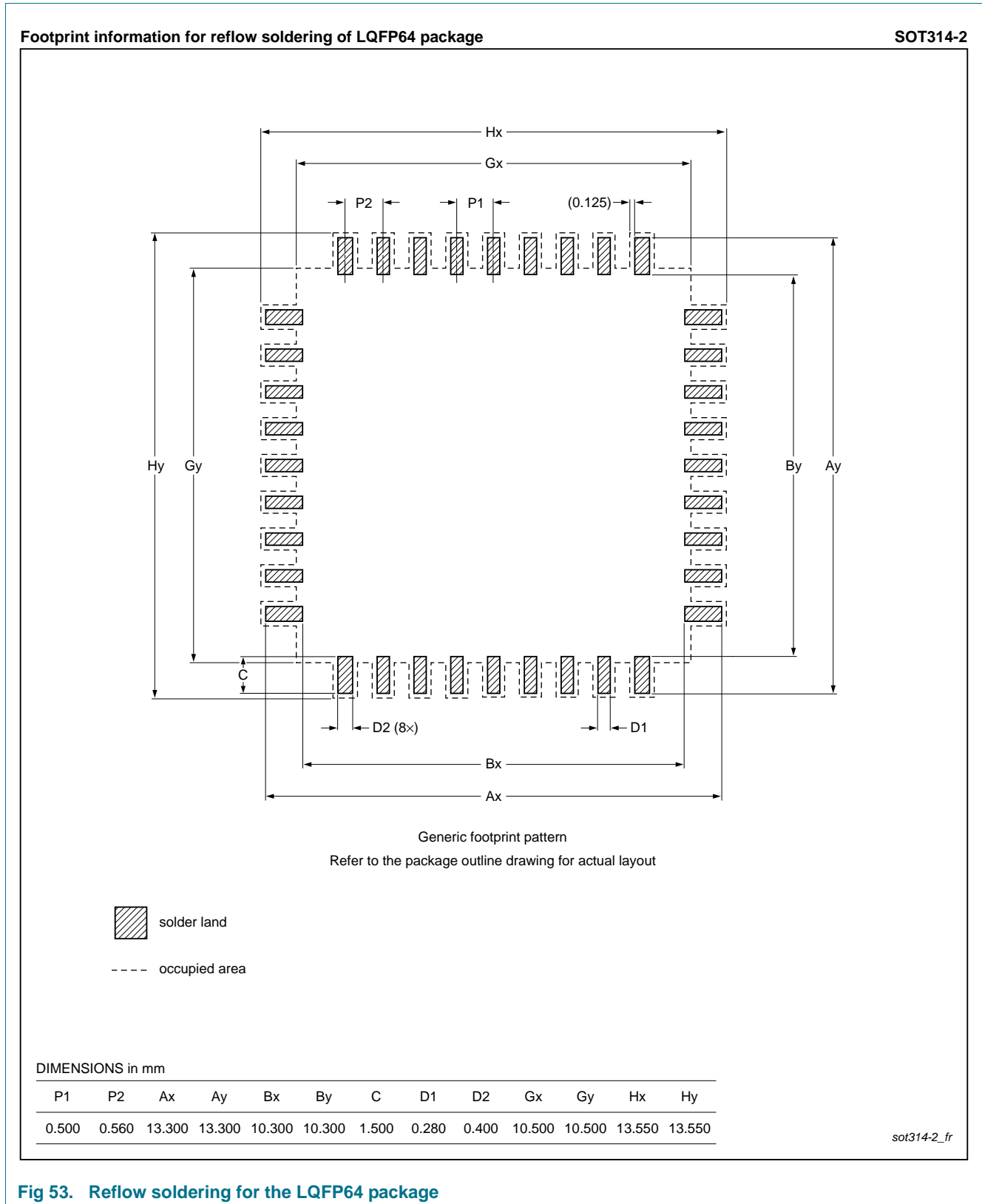


Fig 53. Reflow soldering for the LQFP64 package

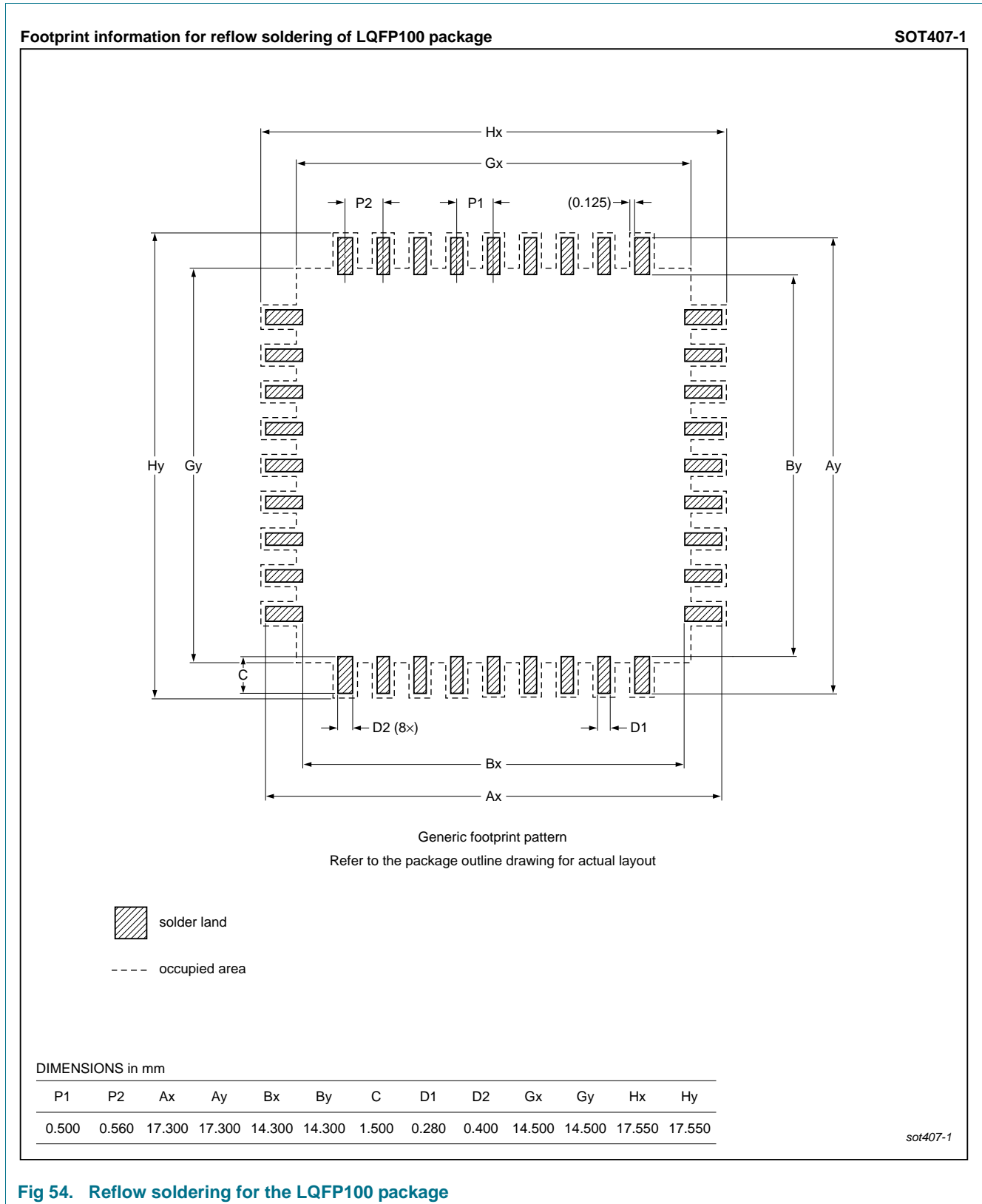


Fig 54. Reflow soldering for the LQFP100 package

17. References

- [1] LPC15xx User manual UM10736:
http://www.nxp.com/documents/user_manual/UM10736.pdf
- [2] LPC15xx Errata sheet:
http://www.nxp.com/documents/errata_sheet/ES_LPC15XX.pdf

18. Revision history

Table 34. Revision history

| Document ID | Release date | Data sheet status | Change notice | Supersedes |
|-------------|--------------|--------------------|---------------|------------|
| LPC15XX v.1 | 20140219 | Product data sheet | - | - |

19. Legal information

19.1 Data sheet status

| Document status ^{[1][2]} | Product status ^[3] | Definition |
|-----------------------------------|-------------------------------|---|
| Objective [short] data sheet | Development | This document contains data from the objective specification for product development. |
| Preliminary [short] data sheet | Qualification | This document contains data from the preliminary specification. |
| Product [short] data sheet | Production | This document contains the product specification. |

[1] Please consult the most recently issued document before initiating or completing a design.

[2] The term 'short data sheet' is explained in section "Definitions".

[3] The product status of device(s) described in this document may have changed since this document was published and may differ in case of multiple devices. The latest product status information is available on the Internet at URL <http://www.nxp.com>.

19.2 Definitions

Draft — The document is a draft version only. The content is still under internal review and subject to formal approval, which may result in modifications or additions. NXP Semiconductors does not give any representations or warranties as to the accuracy or completeness of information included herein and shall have no liability for the consequences of use of such information.

Short data sheet — A short data sheet is an extract from a full data sheet with the same product type number(s) and title. A short data sheet is intended for quick reference only and should not be relied upon to contain detailed and full information. For detailed and full information see the relevant full data sheet, which is available on request via the local NXP Semiconductors sales office. In case of any inconsistency or conflict with the short data sheet, the full data sheet shall prevail.

Product specification — The information and data provided in a Product data sheet shall define the specification of the product as agreed between NXP Semiconductors and its customer, unless NXP Semiconductors and customer have explicitly agreed otherwise in writing. In no event however, shall an agreement be valid in which the NXP Semiconductors product is deemed to offer functions and qualities beyond those described in the Product data sheet.

19.3 Disclaimers

Limited warranty and liability — Information in this document is believed to be accurate and reliable. However, NXP Semiconductors does not give any representations or warranties, expressed or implied, as to the accuracy or completeness of such information and shall have no liability for the consequences of use of such information. NXP Semiconductors takes no responsibility for the content in this document if provided by an information source outside of NXP Semiconductors.

In no event shall NXP Semiconductors be liable for any indirect, incidental, punitive, special or consequential damages (including - without limitation - lost profits, lost savings, business interruption, costs related to the removal or replacement of any products or rework charges) whether or not such damages are based on tort (including negligence), warranty, breach of contract or any other legal theory.

Notwithstanding any damages that customer might incur for any reason whatsoever, NXP Semiconductors' aggregate and cumulative liability towards customer for the products described herein shall be limited in accordance with the *Terms and conditions of commercial sale* of NXP Semiconductors.

Right to make changes — NXP Semiconductors reserves the right to make changes to information published in this document, including without limitation specifications and product descriptions, at any time and without notice. This document supersedes and replaces all information supplied prior to the publication hereof.

Suitability for use — NXP Semiconductors products are not designed, authorized or warranted to be suitable for use in life support, life-critical or safety-critical systems or equipment, nor in applications where failure or malfunction of an NXP Semiconductors product can reasonably be expected to result in personal injury, death or severe property or environmental damage. NXP Semiconductors and its suppliers accept no liability for inclusion and/or use of NXP Semiconductors products in such equipment or applications and therefore such inclusion and/or use is at the customer's own risk.

Applications — Applications that are described herein for any of these products are for illustrative purposes only. NXP Semiconductors makes no representation or warranty that such applications will be suitable for the specified use without further testing or modification.

Customers are responsible for the design and operation of their applications and products using NXP Semiconductors products, and NXP Semiconductors accepts no liability for any assistance with applications or customer product design. It is customer's sole responsibility to determine whether the NXP Semiconductors product is suitable and fit for the customer's applications and products planned, as well as for the planned application and use of customer's third party customer(s). Customers should provide appropriate design and operating safeguards to minimize the risks associated with their applications and products.

NXP Semiconductors does not accept any liability related to any default, damage, costs or problem which is based on any weakness or default in the customer's applications or products, or the application or use by customer's third party customer(s). Customer is responsible for doing all necessary testing for the customer's applications and products using NXP Semiconductors products in order to avoid a default of the applications and the products or of the application or use by customer's third party customer(s). NXP does not accept any liability in this respect.

Limiting values — Stress above one or more limiting values (as defined in the Absolute Maximum Ratings System of IEC 60134) will cause permanent damage to the device. Limiting values are stress ratings only and (proper) operation of the device at these or any other conditions above those given in the Recommended operating conditions section (if present) or the Characteristics sections of this document is not warranted. Constant or repeated exposure to limiting values will permanently and irreversibly affect the quality and reliability of the device.

Terms and conditions of commercial sale — NXP Semiconductors products are sold subject to the general terms and conditions of commercial sale, as published at <http://www.nxp.com/profile/terms>, unless otherwise agreed in a valid written individual agreement. In case an individual agreement is concluded only the terms and conditions of the respective agreement shall apply. NXP Semiconductors hereby expressly objects to applying the customer's general terms and conditions with regard to the purchase of NXP Semiconductors products by customer.

No offer to sell or license — Nothing in this document may be interpreted or construed as an offer to sell products that is open for acceptance or the grant, conveyance or implication of any license under any copyrights, patents or other industrial or intellectual property rights.

Export control — This document as well as the item(s) described herein may be subject to export control regulations. Export might require a prior authorization from competent authorities.

Non-automotive qualified products — Unless this data sheet expressly states that this specific NXP Semiconductors product is automotive qualified, the product is not suitable for automotive use. It is neither qualified nor tested in accordance with automotive testing or application requirements. NXP Semiconductors accepts no liability for inclusion and/or use of non-automotive qualified products in automotive equipment or applications.

In the event that customer uses the product for design-in and use in automotive applications to automotive specifications and standards, customer (a) shall use the product without NXP Semiconductors' warranty of the product for such automotive applications, use and specifications, and (b)

whenever customer uses the product for automotive applications beyond NXP Semiconductors' specifications such use shall be solely at customer's own risk, and (c) customer fully indemnifies NXP Semiconductors for any liability, damages or failed product claims resulting from customer design and use of the product for automotive applications beyond NXP Semiconductors' standard warranty and NXP Semiconductors' product specifications.

19.4 Trademarks

Notice: All referenced brands, product names, service names and trademarks are the property of their respective owners.

I²C-bus — logo is a trademark of NXP B.V.

20. Contact information

For more information, please visit: <http://www.nxp.com>

For sales office addresses, please send an email to: salesaddresses@nxp.com

21. Contents

| | | | | | |
|----------|---|-----------|----------|---|----|
| 1 | General description | 1 | 8.21.1 | Features | 33 |
| 2 | Features and benefits | 1 | 8.22 | PWM/timer/motor control subsystem | 33 |
| 3 | Applications | 4 | 8.22.1 | SCTimer/PWM subsystem | 33 |
| 4 | Ordering information | 4 | 8.22.2 | Timer controlled subsystem | 34 |
| 4.1 | Ordering options | 5 | 8.22.3 | SCTimer/PWM in the large configuration (SCT0/1) | 35 |
| 5 | Marking | 6 | 8.22.3.1 | Features | 35 |
| 6 | Block diagram | 7 | 8.22.4 | State-Configurable Timers in the small configuration (SCT2/3) | 37 |
| 7 | Pinning information | 8 | 8.22.4.1 | Features | 37 |
| 7.1 | Pinning | 8 | 8.22.5 | SCT Input processing unit (SCTIPU) | 38 |
| 7.2 | Pin description | 12 | 8.22.5.1 | Features | 38 |
| 8 | Functional description | 21 | 8.23 | Quadrature Encoder Interface (QEI) | 39 |
| 8.1 | ARM Cortex-M3 processor | 21 | 8.23.1 | Features | 39 |
| 8.2 | Memory Protection Unit (MPU) | 21 | 8.24 | Analog-to-Digital Converter (ADC) | 39 |
| 8.3 | On-chip flash programming memory | 22 | 8.24.1 | Features | 40 |
| 8.3.1 | ISP pin configuration | 22 | 8.25 | Digital-to-Analog Converter (DAC) | 40 |
| 8.4 | EEPROM | 22 | 8.25.1 | Features | 40 |
| 8.5 | SRAM | 23 | 8.26 | Analog comparator (ACMP) | 40 |
| 8.6 | On-chip ROM | 23 | 8.26.1 | Features | 41 |
| 8.7 | AHB multilayer matrix | 24 | 8.27 | Temperature sensor | 41 |
| 8.8 | Memory map | 25 | 8.28 | Internal voltage reference | 41 |
| 8.9 | Nested Vectored Interrupt controller (NVIC) | 26 | 8.29 | Multi-Rate Timer (MRT) | 42 |
| 8.9.1 | Features | 26 | 8.29.1 | Features | 42 |
| 8.9.2 | Interrupt sources | 26 | 8.30 | Windowed WatchDog Timer (WWDT) | 42 |
| 8.10 | IOCON block | 26 | 8.30.1 | Features | 42 |
| 8.10.1 | Features | 26 | 8.31 | Repetitive Interrupt (RI) timer | 43 |
| 8.10.2 | Standard I/O pad configuration | 26 | 8.31.1 | Features | 43 |
| 8.11 | Switch Matrix (SWM) | 27 | 8.32 | System tick timer | 43 |
| 8.12 | Fast General-Purpose parallel I/O (GPIO) | 28 | 8.33 | Real-Time Clock (RTC) | 43 |
| 8.12.1 | Features | 28 | 8.33.1 | Features | 43 |
| 8.13 | Pin interrupt/pattern match engine (PINT) | 28 | 8.34 | Clock generation | 44 |
| 8.13.1 | Features | 28 | 8.35 | Power domains | 45 |
| 8.14 | GPIO group interrupts (GINT0/1) | 29 | 8.36 | Integrated oscillators | 45 |
| 8.14.1 | Features | 29 | 8.36.1 | Internal RC oscillator | 46 |
| 8.15 | DMA controller | 29 | 8.36.2 | System oscillator | 46 |
| 8.15.1 | Features | 29 | 8.36.3 | Watchdog oscillator | 46 |
| 8.16 | Input multiplexing (Input mux) | 30 | 8.36.4 | RTC oscillator | 46 |
| 8.17 | USB interface | 30 | 8.37 | System PLL, USB PLL, and SCT PLL | 46 |
| 8.17.1 | Full-speed USB device controller | 30 | 8.38 | Clock output | 47 |
| 8.17.1.1 | Features | 30 | 8.39 | Wake-up process | 47 |
| 8.18 | USART0/1/2 | 31 | 8.40 | Power control | 47 |
| 8.18.1 | Features | 31 | 8.40.1 | Power profiles | 47 |
| 8.19 | SPI0/1 | 31 | 8.40.2 | Sleep mode | 47 |
| 8.19.1 | Features | 32 | 8.40.3 | Deep-sleep mode | 48 |
| 8.20 | I2C-bus interface | 32 | 8.40.4 | Power-down mode | 48 |
| 8.20.1 | Features | 32 | 8.40.5 | Deep power-down mode | 48 |
| 8.21 | C_CAN | 33 | 8.41 | System control | 49 |

continued >>

8.41.1 Reset 49

8.41.2 Brownout detection 49

8.41.3 Code security (Code Read Protection - CRP) 49

8.42 Emulation and debugging 51

9 Limiting values. 51

10 Thermal characteristics 52

11 Static characteristics. 54

11.1 Power consumption 59

11.2 CoreMark data 63

11.3 Peripheral power consumption 64

11.4 Electrical pin characteristics 65

12 Dynamic characteristics 69

12.1 Flash/EEPROM memory 69

12.2 External clock for the oscillator in slave mode 69

12.3 Internal oscillators 70

12.4 I/O pins 71

12.5 I²C-bus 71

12.6 SPI interfaces 73

12.7 USART interface 75

12.8 SCT output timing 76

13 Characteristics of analog peripherals 76

14 Application information. 84

14.1 Suggested USB interface solutions 84

14.1.1 USB Low-speed operation 85

14.2 XTAL input and crystal oscillator component selection 85

14.3 XTAL Printed-Circuit Board (PCB) layout guidelines 87

14.4 RTC oscillator component selection 88

15 Package outline 89

16 Soldering 92

17 References 95

18 Revision history. 95

19 Legal information. 96

19.1 Data sheet status 96

19.2 Definitions 96

19.3 Disclaimers 96

19.4 Trademarks 97

20 Contact information. 97

21 Contents 98

Please be aware that important notices concerning this document and the product(s) described herein, have been included in section 'Legal information'.

© NXP B.V. 2014. All rights reserved.

For more information, please visit: <http://www.nxp.com>
 For sales office addresses, please send an email to: salesaddresses@nxp.com

Date of release: 19 February 2014
 Document identifier: LPC15XX