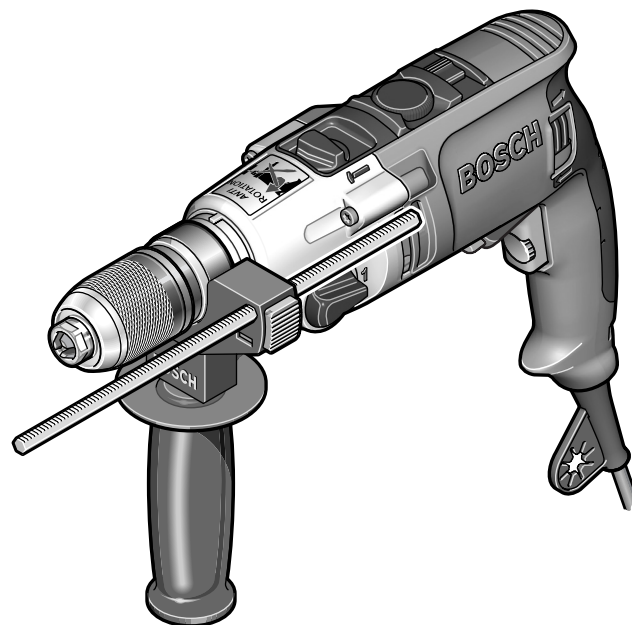


**GSB 20-2  
GSB 20-2 RE  
GSB 20-2 RCE  
GSB 20-2 RET  
PROFESSIONAL**



**BOSCH**



**Operating Instructions**

操作指南

操作指南

사용 설명서

หนังสือคู่มือการใช้งาน

**Petunjuk-Petunjuk  
untuk Penggunaan**

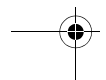
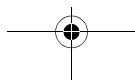
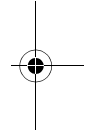
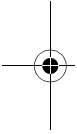
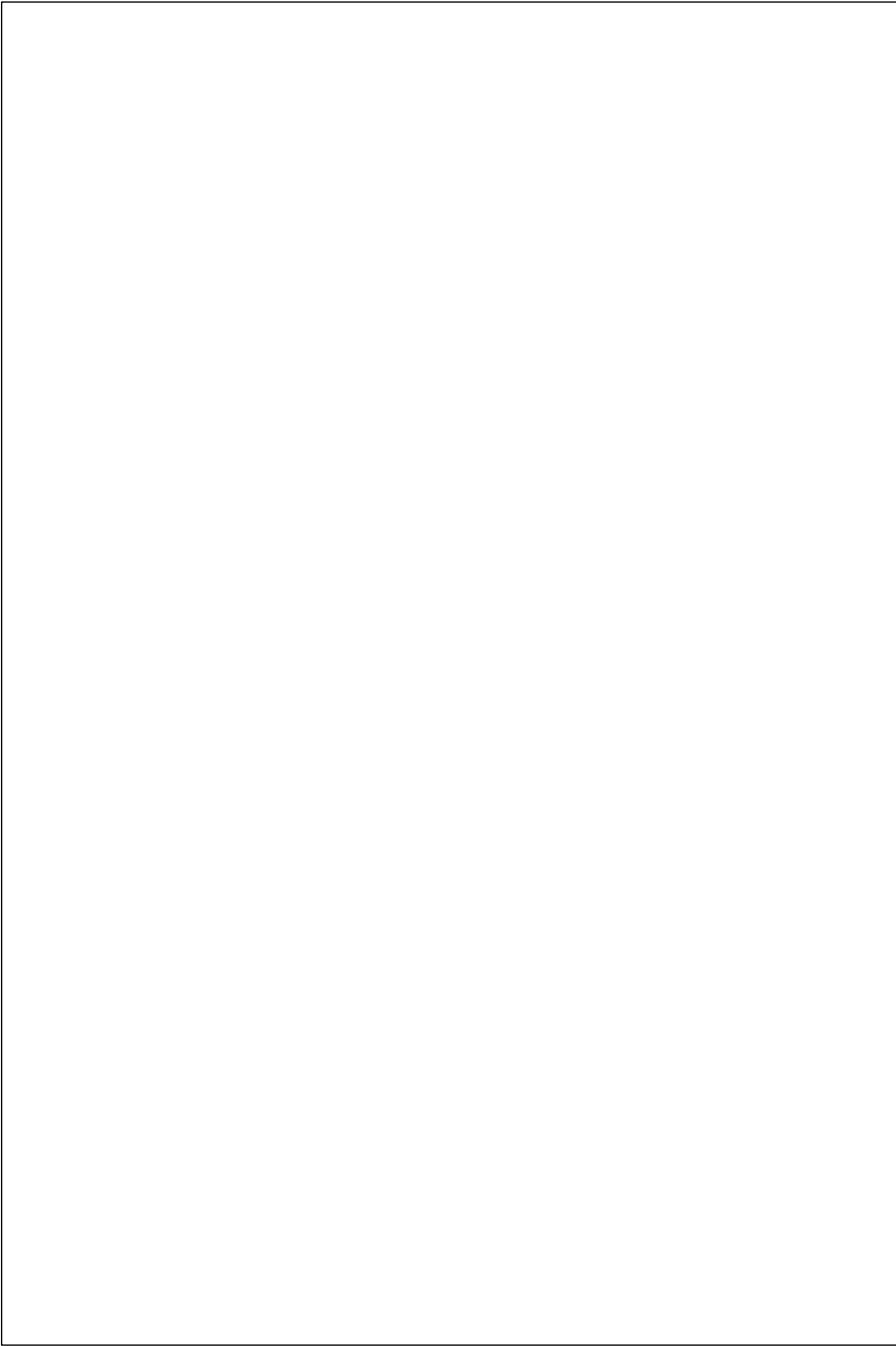
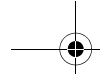
Hướng dẫn sử dụng

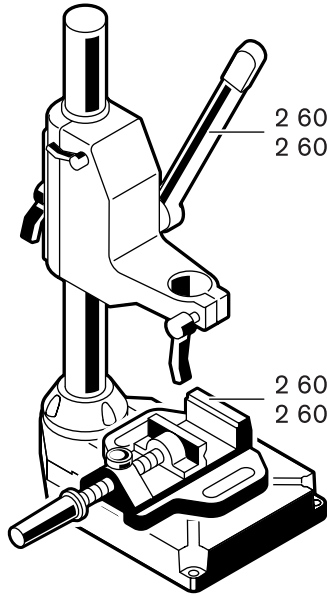
Instructions d'emploi

كراسة الاستعمال

راهنمای دستگاه

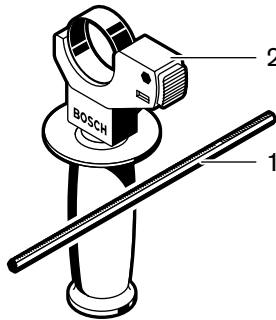






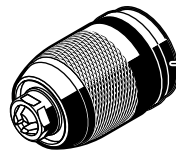
2 608 180 003 (BS 35)  
2 608 180 004 (BS 45)

2 608 030 053 (MS 65)  
2 608 030 055 (MS 80)

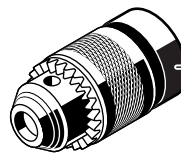


2 602 025 120

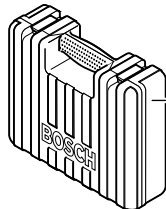
1 613 001 010



2 608 572 150



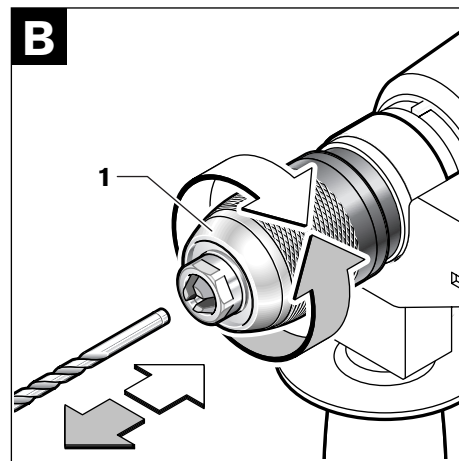
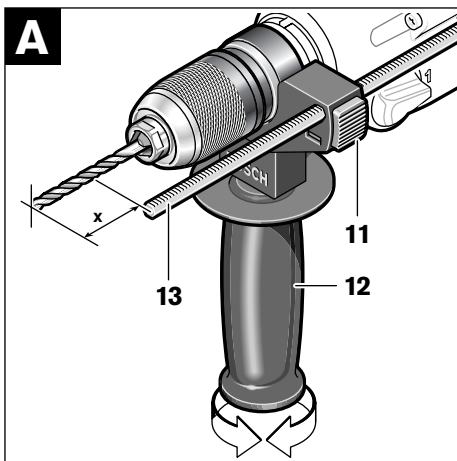
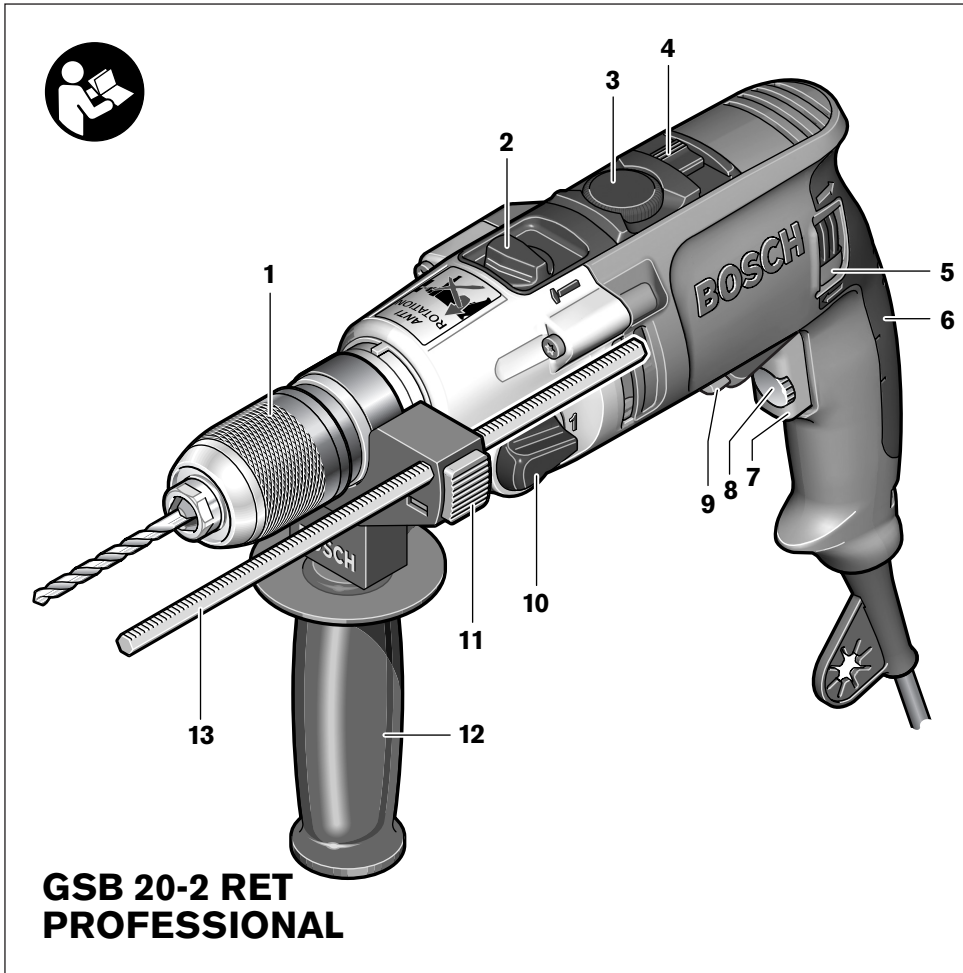
2 608 571 068

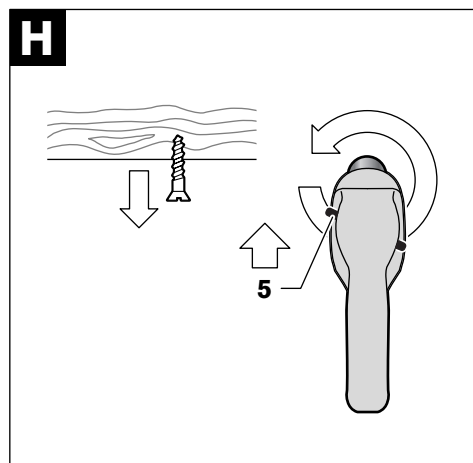
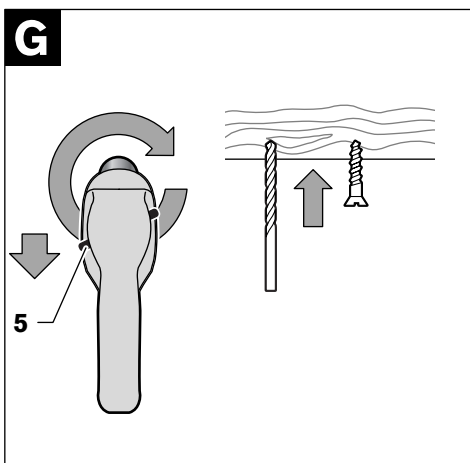
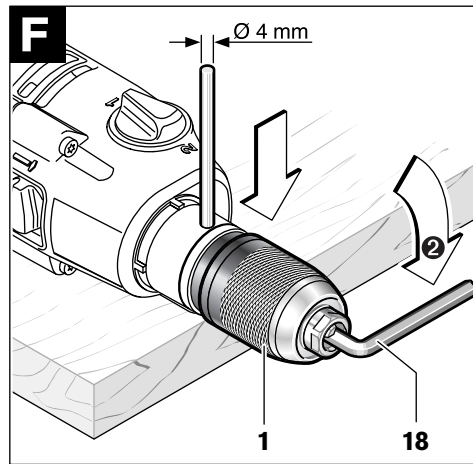
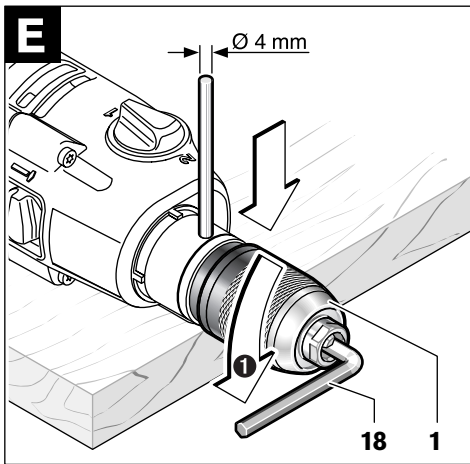
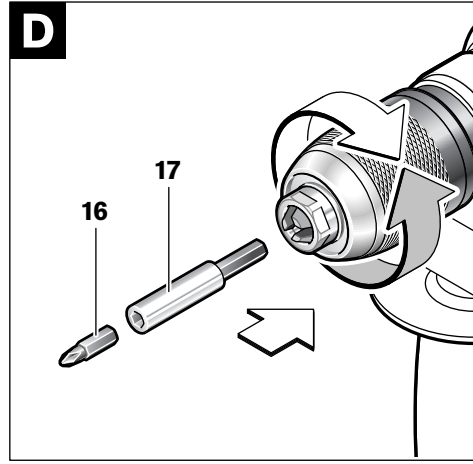
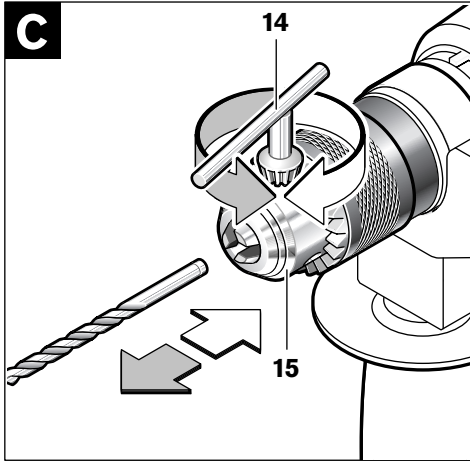


2 605 438 074



2 607 990 050  
(S 41)





## General Power Tool Safety Warnings

**⚠ WARNING** Read all safety warnings and all instructions. Failure to follow the warnings and instructions may result in electric shock, fire and/or serious injury.

Save all warnings and instructions for future reference.

The term "power tool" in the warnings refers to your mains-operated (corded) power tool or battery-operated (cordless) power tool.

### 1) Work area safety

- a) **Keep work area clean and well lit.** Cluttered or dark areas invite accidents.
- b) **Do not operate power tools in explosive atmospheres, such as in the presence of flammable liquids, gases, or dust.** Power tools create sparks which may ignite the dust or fumes.
- c) **Keep children and bystanders away while operating a power tool.** Distractions can cause you to lose control.

### 2) Electrical safety

- a) **Power tool plugs must match the outlet. Never modify the plug in any way. Do not use any adapter plugs with earthed (grounded) power tools.** Unmodified plugs and matching outlets will reduce the risk of electric shock.
- b) **Avoid body contact with earthed or grounded surfaces, such as pipes, radiators, ranges and refrigerators.** There is an increased risk of electric shock if your body is earthed or grounded.
- c) **Do not expose power tools to rain or wet conditions.** Water entering a power tool will increase the risk of electric shock.
- d) **Do not abuse the cord. Never use the cord for carrying, pulling or unplugging the power tool. Keep cord away from heat, oil, sharp edges or moving parts.** Damaged or entangled cords increase the risk of electric shock.
- e) **When operating a power tool outdoors, use an extension cord suitable for outdoor use.** Use of a cord suitable for outdoor use reduces the risk of electric shock.
- f) **If operating a power tool in a damp location is unavoidable, use a ground fault circuit interrupter (GFCI) or an earth leakage circuit breaker (ELCB).** Use of a GFCI or an ELCB reduces the risk of electric shock.

### 3) Personal safety

- a) **Stay alert, watch what you are doing and use common sense when operating a power tool. Do not use a power tool while you are tired or under the influence of drugs, alcohol, or medication.** A moment of inattention while operating power tools may result in serious personal injury.
- b) **Use personal protective equipment. Always wear eye protection.** Protective equipment such as dusk mask, non-skid safety shoes, hard hat or hearing protection used for appropriate conditions will reduce personal injuries.
- c) **Prevent unintentional starting. Ensure the switch is in the off position before connecting to power source and/or battery pack, picking up or carrying the tool.** Carrying power tools with your finger on the switch or energizing power tools that have the switch on invites accidents.
- d) **Remove any adjusting key or wrench before turning the power tool on.** A wrench or a key that is left attached to a rotating part of the power tool may result in personal injury.
- e) **Do not overreach. Keep proper footing and balance at all times.** This enables better control of the power tool in unexpected situations.
- f) **Dress properly. Do not wear loose clothing or jewelry. Keep your hair, clothing, and gloves away from moving parts.** Loose clothes, jewelry, or long hair can be caught in moving parts.
- g) **If devices are provided for the connection of dust extraction and collection facilities, ensure these are connected and properly used.** Use of dust collection can reduce dust-related hazards.

### 4) Power tool use and care

- a) **Do not force the power tool. Use the correct power tool for your application.** The correct power tool will do the job better and safer at the rate for which it is designed.
- b) **Do not use the power tool if the switch does not turn it on or off.** Any power tool that cannot be controlled with the switch is dangerous and must be repaired.
- c) **Disconnect the plug from the power source and/or the battery pack from the power tool before making any adjustments, changing accessories, or storing power tools.** Such preventive safety measures reduce the risk of starting the power tool accidentally.

- d) **Store idle power tools out of the reach of children and do not allow persons unfamiliar with the power tool or these instructions to operate the power tool.** Power tools are dangerous in the hands of untrained users.
  - e) **Maintain power tools. Check for misalignment or binding of moving parts, breakage of parts and any other condition that may affect the power tool's operation. If damaged, have the power tool repaired before use.** Many accidents are caused by poorly maintained power tools.
  - f) **Keep cutting tools sharp and clean.** Properly maintained cutting tools with sharp cutting edges are less likely to bind and are easier to control.
  - g) **Use the power tool, accessories, tool bits etc. in accordance with these instructions, taking into account the working conditions and the work to be performed.** Use of the power tool for operations different from those intended could result in a hazardous situation.
- 5) **Service**
- a) **Have your power tool serviced by a qualified repair person using only identical replacement parts.** This will ensure that the safety of the power tool is maintained.
- ▶ **Do not use the power tool with a damaged cord. Do not touch the damaged cord and pull the plug from the outlet when the cord is damaged while working.** Damaged cords increase the risk of an electric shock.
  - ▶ **Connect power tools that are used in the open via a Ground Fault Circuit Interrupter (GFCI).**
  - ▶ **Wear hearing protection when using impact drills.** The influence of noise can lead to loss of hearing.
  - ▶ **Use the auxiliary handle supplied with the power tool.** Loss of control over the power tool can cause personal injury.
  - ▶ **Use suitable detectors to determine if utility lines are hidden in the work area or call the local utility company for assistance.** Contact with electric lines can lead to fire and electric shock. Damaging a gas line can lead to explosion. Penetrating a water line causes property damage.
  - ▶ **Hold the power tool only by the insulated gripping surfaces when performing an operation where the cutting tool may contact hidden wiring or its own power cord.** Contact with a "live" wire will also make exposed metal parts of the power tool "live" and shock the operator.

## Power Tool-specific Safety Rules

- ▶ **When working with the power tool, always hold it firmly with both hands and provide for a secure stance.** The power tool is guided more secure with both hands.
- ▶ **Secure the workpiece.** A workpiece clamped with clamping devices or in a vice is held more secure than by hand.
- ▶ **Do not work materials containing asbestos.** Asbestos is considered carcinogenic.
- ▶ **Take protective measures when dust can develop during working that is harmful to one's health, combustible or explosive.** Example: Some dusts are regarded as carcinogenic. Wear a dust mask and work with dust/chip extraction when connectable.
- ▶ **Keep your workplace clean.** Blends of materials are particularly dangerous. Dust from light alloys can burn or explode.
- ▶ **Always wait until the power tool has come to a complete stop before placing it down.** The tool insert can jam and lead to loss of control over the power tool.

## Functional Description



**Read all safety warnings and all instructions.** Failure to follow the warnings and instructions may result in electric shock, fire and/or serious injury.

While reading the operating instructions, unfold the graphics page for the tool and leave it open.

### Intended Use

The machine is intended for impact drilling in brick, concrete and stone as well as for drilling in wood, metal and plastic. Machines with electronic control and right/left rotation are also suitable for driving screws in/out and thread-cutting.

## Product Features

The numbering of the product features refers to the illustration of the power tool on the graphics page.

- 1 Keyless chuck
- 2 "Drilling/Impact Drilling" selector switch
- 3 Speed dial for electronic speed preselection (GSB 20-2 RCE/GSB 20-2 RET)
- 4 Selector switch "Drilling/Screwdriving" (GSB 20-2 RET)
- 5 Rotational direction switch (GSB 20-2 RE/GSB 20-2 RCE/GSB 20-2 RET)
- 6 Soft grip
- 7 On/Off switch
- 8 Speed dial for speed preselection (GSB 20-2 RE)

- 9 Lock-on button for On/Off switch
- 10 Gear selection lever
- 11 Button for depth stop adjustment
- 12 Auxiliary handle\*
- 13 Depth stop\*
- 14 Chuck key
- 15 Key-type drill chuck
- 16 Screwdriver bit\*
- 17 Universal bit holder\*
- 18 Hex key\*\*

\*Not all of the accessories described are included as standard delivery.

\*\*Commercially available (not included in the delivery scope)

## Technical Data

Hammer Drill GSB ... PROFESSIONAL		20-2	20-2 RE	20-2 RE	20-2 RCE	20-2 RET
Article number	0 601 ...	19B 0..	19B 4..	19B 5..	19B 7..	19B 9..
Rated power input	W	750	800	800	1010	1010
Output power	W	350	420	420	475	475
No-load speed						
1st gear	rpm	1 100	0-1 100	0-1 100	0-1 100	0-1 100
2nd gear	rpm	3 000	0-3 000	0-3 000	0-3 000	0-3 000
Rated speed						
1st gear	rpm	740	740	740	1 100	1 100
2nd gear	rpm	1 930	1 930	1 930	3 000	3 000
Impact frequency at no-load	bpm	48 000	48 000	48 000	48 000	48 000
Rated torque (1st/2nd gear)	Nm	4.3/1.7	5.4/2.1	5.4/2.1	4.3/1.7	4.3/1.7
Electronic torque control		-	-	-	-	●
Speed preselection		-	●	●	●	●
Constant electronic control		-	-	-	●	●
Right/left rotation		-	●	●	●	●
Dual gear feature		●	●	●	●	●
Key-type drill chuck		●	●	-	-	-
Keyless drill chuck		-	-	●	●	●
Fully automatic spindle locking (Auto-lock)		-	-	●	●	●
Spindle collar dia.	mm	43	43	43	43	43
Maximum drilling diameter (1st/2nd gear)						
Brickwork	mm	22/16	22/16	22/16	22/16	22/16
Concrete	mm	20/13	20/13	20/13	20/13	20/13
Steel	mm	13/8	13/8	13/8	16/8	16/8
Wood	mm	40/25	40/25	40/25	40/25	40/25
Chuck clamping range	mm	1.5-13	1.5-13	1.5-13	1.5-13	1.5-13
Weight according to EPTA-Procedure 01/2003	kg	2.5	2.5	2.5	2.6	2.6
Protection class		□/II	□/II	□/II	□/II	□/II

The values given are valid for nominal voltages [U] of 230/240 V. For lower voltages and models for specific countries, these values can vary.

Please observe the article number on the type plate of your power tool. The trade names of individual tools may vary.



## Assembly

### Auxiliary Handle (see figure A)

**Operate your power tool only with the auxiliary handle 12.**

The auxiliary handle **12** can be set to any position for a secure and low-fatigue working posture.

Turn the bottom part of the auxiliary handle **12** in counterclockwise direction and swivel the auxiliary handle **12** to the desired position. Then retighten the bottom part of the auxiliary handle **12** by turning in clockwise direction.

### Adjusting the Drilling Depth (see figure A)

The required drilling depth **X** can be set with the depth stop **13**.

Press the button for the depth stop adjustment **11** and insert the depth stop into the auxiliary handle **12**.

Pull out the depth stop until the distance between the tip of the drill bit and the tip of the depth stop correspond with the desired drilling depth **X**.

The knurled surface of the depth stop **13** must face upward.

### Changing the Tool

**Before any work on the power tool itself, pull the mains plug.**

#### Keyless Chuck (see figure B)

The drill spindle is locked when the On/Off switch **7** is not pressed. This makes quick, convenient and easy changing of the tool in the drill chuck possible.

Open the keyless chuck **1** by turning until the tool can be inserted. Insert the tool.

Firmly tighten the collar of the keyless chuck **1** by hand in clockwise direction until the locking action ("click") is no longer heard. This automatically locks the drill chuck.

The locking is released again to remove the tool when the collar is turned in the opposite direction.

#### Key-type Drill Chuck (see figure C)

- ▶ **Wear protective gloves when changing the tool.** The drill chuck can become very hot during longer work periods.

Open the key-type drill chuck **15** by turning until the tool can be inserted. Insert the tool.

Insert the chuck key **14** into the corresponding holes of the key-type drill chuck **15** and clamp the tool uniformly.

#### Screwdriver Tools (see figure D)

When working with screwdriver bits **16**, a universal bit holder **17** should always be used. Use only screwdriver bits that fit the screw head.

For driving screws, always position the "Drilling/Impact Drilling" selector switch **2** to the "Drilling" symbol.

### Replacing the Drill Chuck

**Before any work on the power tool itself, pull the mains plug.**

**For power tools without spindle lock, the drill chuck must be replaced by an authorized after-sales service agent for Bosch power tools.**

#### Removing the Drill Chuck (see figure E)

Disassemble the auxiliary handle and set the gear selector **10** to the center position between the 1st and 2nd gear.

Insert a steel pin with a diameter of  $\varnothing$  4 mm and approx. 50 mm of length into the drill hole on the spindle neck in order to lock the drill spindle.


Clamp the short end of a hex key **18** into the keyless chuck **1**.

Place the machine on a stable surface (e.g. a workbench). Hold the machine firmly and loosen the keyless chuck **1** by turning the hex key **18** in counterclockwise direction. Loosen a tight-seated keyless chuck by giving the long end of the hex key **18** a light blow. Remove the hex key from the keyless chuck and completely unscrew the keyless chuck.

#### Mounting the Drill Chuck (see figure F)

The keyless chuck is mounted in reverse order.

**Remove the steel pin from the drill hole on the spindle neck after mounting is completed.**

 **The drill chuck must be tightened with a tightening torque of approx. 35–40 Nm.**

## Operation

### Starting Operation

**Observe correct mains voltage!** The voltage of the power source must agree with the voltage specified on the type plate of the power tool.

**Reversing the Rotational Direction (see figures G–H) (GSB 20-2 RE/GSB 20-2 RCE/GSB 20-2 RET)**

**Actuate the rotational direction switch 5 only when the machine is at a standstill.**

The rotational direction switch **5** is used to reverse the rotational direction of the machine. However, this is not possible with the On/Off switch **7** actuated.

**Right rotation:** For drilling and driving in screws, push the rotational direction switch **5** downward on the left side and at the same time upward on the right side.

**Left rotation:** For loosening and unscrewing screws and nuts, push the rotational direction switch **5** upward on the left side and at the same time downward on the right side.

### Setting the Operating Mode



#### Drilling and Screwdriving

Set the selector switch **2** to the "Drilling" symbol.



#### Hammer Drilling

Set the selector switch **2** to the "Hammer drilling" symbol.

The selector switch **2** engages noticeably and can also be actuated with the machine running.

### Gear Selection, Mechanical

The gear selector **10** can be actuated at standstill or when the machine is running. However, this should not be done while operating at full load or maximum speed.

Two speed ranges can be preselected with the gear selection lever **10**.



#### Gear I:

Low speed range; for working with large drilling diameter or for driving in screws.



#### Gear II:

High speed range; for working with small drilling diameter.

If the gear selection lever **10** cannot be fully engaged, lightly rotate the drill bit by twisting the drill chuck.

### Switching On and Off

To **start** the power tool, press the On/Off switch **7** and keep it pressed.

To lock the **pressed** On/Off switch **7**, press the lock-on button **9**.

To **switch off** the power tool, release the On/Off switch **7** or when it is locked with the lock-on button **9**, briefly press the On/Off switch **7** and then release it.

### Overload Clutch



To limit dangerous reaction torque, the machine is equipped with a safety clutch (anti-rotation).

If the tool insert becomes caught or jammed, the drive to the drill spindle is interrupted. Because of the forces that occur, **always hold the power tool firmly with both hands and provide for a secure stance.**

**If the power tool jams, switch the machine off and loosen the tool insert.** When switching the power tool on with the drilling tool jammed, high reaction torques can occur.

### Adjusting the Speed/Impact Frequency (GSB 20-2 RE/GSB 20-2 RCE/GSB 20-2 RET)

Depending on the pressure applied on the On/Off switch **7**, the speed/impact rate can be adjusted variably.

Light pressure on the On/Off switch **7** results in low speed/impact rate. Further pressure on the switch increases the speed/impact rate.

### Preselecting the Speed/Impact Frequency (GSB 20-2 RE)

With the dial control for speed preselection **8**, the required speed/impact frequency can be preselected even during operation.

The required speed/impact frequency depends on the material and the working conditions, and can be determined through practical testing.

### Electronic Speed Preselection (GSB 20-2 RCE/GSB 20-2 RET)

With the speed dial for electronic speed preselection **3**, the required speed/impact frequency can be selected even if the machine is running.

The required speed/impact frequency depends on the material and the working conditions, and can be determined through practical testing.

**Constant Electronic Control  
(GSB 20-2 RCE/GSB 20-2 RET)**

The constant electronic control keeps the preselected speed and impact rate nearly constant between no-load and load conditions.

**Electronic Torque Limitation/Speed Preselection (Torque Control) (GSB 20-2 RET)**



**Drilling with speed preselection:** Set the selector switch **4** to the "Drilling" symbol. The required speed can be selected with the speed dial **3**; it can also be adjusted during operation.



**Screwdriving with torque limitation:** Set the selector switch **4** to the "Screwdriving" symbol. The effective torque at the drill spindle can be variable adjusted with the thumbwheel **3** during operation:  
**I**=low torque, **III**=high torque.

The maximum speed is automatically adapted to the adjusted torque.

If the preselected torque is reached during screwdriving, the machine switches off; the drilling tool no longer rotates. If the load on the machine is then removed with the On/Off switch **7** still pressed, the drilling tool continues to run only at very low speed for safety reasons. After briefly releasing the On/Off switch **7**, the next screw can be driven in with the same torque.



For **screwdriving without torque limitation**, turn the speed dial **3** to the right stop. This setting is required, when the torque in position **III** is not sufficient.

**Operating Instructions**

**Position the machine against the nut/screw only when it is switched off.**

**Tips**

After longer periods of working at low speed, allow the machine to cool down by running it for approx. 3 minutes at maximum speed with no load.

For drilling in tiles, set the selector switch **2** to the "Drilling" symbol. Do not switch over to the symbol "Impact Drilling" or work with impact until after drilling through the tile.

Use carbide tipped drill bits when working in concrete, masonry and brick wall.

For drilling in metal, use only perfectly sharpened HSS drill bits (HSS = High Speed Steel). The appropriate quality is guaranteed by the Bosch accessories program.

Twist drills from 2.5–10 mm can easily be sharpened with the drill bit sharpener (see accessories).

**Soft Grip**

The gripping surface (soft grip) **6** reduces the danger of slipping and thereby improves the grip on the machine and the handling.

At the same time, the rubber coating achieves a vibration-reducing effect.

**Maintenance and Service**

**Maintenance and Cleaning**

**Before any work on the power tool itself, pull the mains plug.**

**For safe and proper working, always keep the power tool and the ventilation slots clean.**

If the power tool should fail despite the care taken in manufacturing and testing procedures, repair should be carried out by an after-sales service center for Bosch power tools.

In all correspondence and spare parts orders, please always include the 10-digit article number given on the type plate of the power tool.

**Service and Customer Assistance**

Exploded views and information on spare parts can be found under:

**www.bosch-pt.com**

In case of a claim, repair or purchase of replacement parts or in case of queries or other problems, please contact your local dealer or Bosch representative.

**People's Republic of China**

Website: [www.bosch-pt.com.cn](http://www.bosch-pt.com.cn)

**China Mainland**

Bosch Power Tools (China) Co., Ltd.

567, Bin Kang Road

Bin Jiang District 310052

Hangzhou, P.R.China

Service Hotline: ..... 800 8 20 84 84

© .....+86 571 87 77 43 38

Fax .....+86 571 87 77 45 02

**HK and Macau Special Administrative Regions**

Room 1210, Shun Tak Centre, West-Tower,

168 – 200 Connaught Road, Central Hong Kong

Customer Service Hotline: .....+852 25 89 15 61

Fax .....+852 25 48 79 14

E-Mail: [bosch@melchers.com.hk](mailto:bosch@melchers.com.hk)



**Indonesia**

P. T. Multi Tehaka  
Karang Anyar Permai Block B-24  
Jl. Karang Anyar No. 55  
Jakarta Pusat 10740  
Indonesia  
☎ .....+62 21 6 59 52 22 (5 lines)  
Fax .....+62 21 6 59 52 52-3  
sales@bosch.co.id  
www.bosch.co.id

**Philippines**

Robert Bosch, Inc.  
Zuellig Building  
Sen. Gil Puyat Avenue  
Makati City 1200, Metro Manila  
Philippines  
☎ .....+63 2 8 17 32 31  
www.bosch.com.ph

**Malaysia**

Robert Bosch (SEA.) Pte. Ltd.  
No. 8a, Jalan 13/6  
Selangor Darul Ehsan  
Petaling Jaya 46200  
Malaysia  
☎ .....+60 3 79 58 30 00  
Fax (EW Dept.) .....+60 3 79 58 38 38  
www.bosch.com.sg

**Thailand**

Robert Bosch Ltd.  
Liberty Square Building  
No. 287, 11 Floor  
Silom Road, Bangrak  
Bangkok 10500  
☎ .....+66 2 6 31 18 79 - 18 88 (10 lines)  
Fax .....+66 2 2 38 47 83  
Robert Bosch Ltd., P. O. Box 2054  
Bangkok 10501, Thailand  
Bosch Service – Training Centre  
2869-2869/1 Soi Ban Kluay  
Rama IV Road (near old Paknam Railway)  
Prakanong District  
10110 Bangkok  
Thailand  
☎ .....+66 26 71 78 00-4  
Fax .....+66 2 2 49 42 96  
Fax .....+66 2 2 49 52 99

**Singapore**

Robert Bosch (SEA.) Pte. Ltd.  
38 C Jalan Pemimpin  
Singapore 915701  
Republic of Singapore  
☎ .....+65 3 50 54 94  
Fax .....+65 3 50 53 27  
www.bosch.com.sg

**Vietnam**

Saigon Trade Center  
37 Ton Duc Thang St  
Ben Nghe Ward  
Dist 1  
HCMC  
Vietnam  
☎ .....+84 8 9 11 13 74-9 11 13 75  
Fax .....+84 8 9 11 13 76

**Australia and New Zealand**

Robert Bosch Australia Pty. Ltd.  
RBAU/SPT  
1555 Centre Road  
P.O. Box 66  
3168 Clayton/Victoria  
☎ .....+61 (0)1 / 3 00 30 70 44  
Fax .....+61 (0)1 / 3 00 30 70 45  
www.bosch.com.au

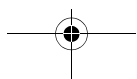
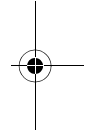
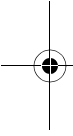
---

**Disposal**

---

Power tools, accessories and packaging should be sorted for environmental-friendly recycling.

**Subject to change without notice.**



## 针对电动工具的一般性警告提示

**警告** 阅读所有的警告提示和指示。如未确实遵循警告提示和指示，可能导致电击、火灾并且 / 或其他的严重伤害。

妥善保存所有的警告提示和指示，以便日后查阅。

在警告提示和指示中使用的 " 电动工具 " 是指必须连接电源的电动工具（配备电线）和使用蓄电池的电动工具（无电线）。

### 1) 工作场所的安全规章

- 工作场所必须保持乾淨并且照明要充足。** 杂乱或昏暗的工作场所容易导致意外。
- 不可在有爆炸危险的环境下操作本电动工具。有爆炸危险的环境是指充斥了易燃液体、瓦斯或尘埃的工作场所。** 操作机器时会产生火花，火花容易引燃尘埃或易燃蒸汽。
- 操作机器时不可让儿童或旁观者靠近工作场所。** 工作时如果因为第三者的干扰而分散注意力可能导致操作失控。

### 2) 使用电器用品的安全指示

- 使用的插座必须能够配合电动工具的插头。切勿擅自更改插头。转接插头不可以和接了地线的电动工具一起使用。** 使用机器出厂时的原装插头和合适的插座可以降低遭受电击的危险。
- 避免让身体接触接地的物体，例如水管、散热器、电炉和冰箱等。** 如果您的身体接地了，非常容易遭受电击。
- 机器必须远离雨水或湿气。** 如果让水渗入电动工具中，会提高操作者遭受电击的危险。
- 正确地处理电线。不可以使用电线提携电动工具、悬挂电动工具或者以抽拉电线的方式拔出插头。电线必须远离高温、油垢、锋利的边缘或转动中的机件。** 电线如果受损或缠绕在一起，会提高操作者遭受电击的危险。
- 如果在户外使用电动工具，只能使用合适的户外专用延长线。** 使用合格的户外专用延长线，可降低操作者遭受电击的危险。
- 如果无法避免的，必须在潮湿的环境中使用时，得使用剩餘电流保护开关。** 使用剩餘电流保护开关可以预防遭受电击。

### 3) 针对操作者的安全指示

- 工作时务必要全神贯注，不但要保持头脑清醒更要理性地操作电动工具。疲惫、喝酒或服用毒品、兴奋剂、药物之后，切勿操作电动工具。** 使用电动工具时只要稍微分心便可能发生后果严重的意外。

- 穿好您个人的防护装备并戴上护目镜。** 根据所使用的电动工具穿戴合适的防护装备，例如防尘面罩、止滑工作鞋、安全帽或耳罩，可降低工作伤害的发生机率。

- 避免意外启动机器。插上插头并且 / 或安装蓄电池之前，提起或搬运机器之前，必须先检查电动工具是否处在关闭状况。** 如果您在提携电动工具时，手指碰触了开关，或著在连接电源时，起停开关仍然设定在开动位置，都可能造成极严重的意外。

- 开动电动工具之前必须拆除仍然插在机器上的调整工具 / 或螺丝扳手。** 如果机器已经开始转动，而机器上仍然插著调整工具，很容易伤害使用者。

- 避免错误的持机姿势。操作机器时要确保立足稳固，並要随时保持平衡。** 正确的操作姿势能够帮助您在突发状况下及时控制住电动工具。

- 穿著合适的工作服。工作时不可以穿太宽鬆的衣服，也不可以戴首饰。不可以让头髮、衣服和手套接触机器上的转动机件。** 宽鬆的衣物、长髮或首饰容易被卷入转动的机件中。

- 如果能够在机器上安装吸尘装置、集尘装备，务必按照指示安装此类辅助工具，並正确地操作该装置。** 使用吸尘装备可以防止工作尘危害人体。

### 4) 小心地使用和处理电动工具

- 勿让机器承载过重的负荷。根据工作性质选择适合的电动工具。** 正确地选用电动工具可以在规定的功率范围中，更有效率更安全的操作机器。

- 勿使用开关故障的电动工具。** 如果无法正常操控起停开关，极易在操作机器时产生意外。尽快将故障的机器送修。

- 在调整机器设定、更换零件或不使用机器时，都必须先从插座上拔出插头并且 / 或取出蓄电池。** 这个预防措施可以避免不小心开动电动工具。

- 不使用电动工具时，必须把机器存放在儿童无法取得之处。勿让不熟悉机器操作方法及未阅读本说明书的人使用本机器。** 让经验不足的人操作电动工具容易发生意外。

- 细心地保养、维护电动工具。检查机器上的转动零件是否运作正常，並确定是否有零件断裂或损坏。故障的机件会影响电动工具的运作功能。使用机器之前务必须先更换或修理故障的机件。** 若未彻底执行机器的维护工作容易导致工作意外。

- 切割工具必须保持锋利、清洁。** 经过细心保养而且刀刃锋利的切割工具不易被夹住，而且较容易操作。

g) 遵照这些指示使用电动工具、配件及安装在机器上的工具。另外也必须注意有关机器操作方式及机器适用范围的解说。如果使用电动工具执行不符合该机器性能的工作，极容易发生意外。

#### 5) 检修服务

a) 只能将电动工具交给合格的专业人员检修。检修时只能换装原厂零、配件。唯有如此才能确保机器的安全性能。

## 针对机器的安全指示

- ▶ 工作时必须用双手握紧电动工具，并且要确保立足稳固。使用双手比较能够握稳电动工具。
- ▶ 固定好工件。使用固定装置或老虎钳固定工件，会比用手持握工件更牢固。
- ▶ 勿加工含石棉的物料。石棉可能致癌。
- ▶ 如果操作机器时会产生有害健康、易燃或可能引爆的废尘，务必采取适当的防护措施。例如针对某些可能导致癌症的尘埃，务必戴上防尘面具，如果能够在机器上安装吸尘器，也要加装此机件。
- ▶ 工作场所必须保持清洁。不同的工作尘经过混合后容易产生化学反应，十分危险。轻金属尘容易着火或引起爆炸。
- ▶ 等待电动工具完全静止后才能够放下机器。机器上的工具可能在工作中被夹住，而令您无法控制电动工具。
- ▶ 勿使用电线已经损坏的电动工具。如果电源电线在工作中受损，千万不可触摸损坏的电线，并马上拔出插头。损坏的电线会提高使用者触电的危险。
- ▶ 在户外使用电动工具时，必须在电动工具上安装故障电流 (FI) 保护开关。
- ▶ 使用冲击电钻时请佩戴耳罩。噪音会损坏您的听力。
- ▶ 请使用电动工具附带的辅助手柄。如果无法控制好电动工具容易造成伤害。
- ▶ 使用合适的侦测器，以便找出隐藏着的电源线的位 置。或者向当地的供电单位索取相关资料。钻穿电线会造成火灾并遭受电击。损坏瓦斯管会引起爆炸。如果水管被刺穿了会导致财物损失。
- ▶ 如果工作时可能割断隐藏着的电线或机器本身的电源线，那麽一定要握著绝缘手柄操作机器。电动工具如果接触了带电的线路，机器上的金属部件会导电，并可能造成操作者触电。

## 功能解说



阅读所有的警告提示和指示。如未确实遵循警告提示和指示，可能导致电击、火灾并且 / 或其他的严重伤害。

翻开标示了机器详解图的折叠页。阅读操作指南时必须翻开折叠页参考。

## 按照规定使用机器

本机器适合在砖块、混凝土和石材上进行冲击钻。另外也可以在木材、金属、陶瓷和塑料上钻孔。配备电子调速装备和正 / 逆转功能的机型，也能够鬆 / 紧螺丝和攻牙。

## 插图上的机件

机件的编号和电动工具详解图上的编号一致。

- 1 快速夹头
- 2 " 正常钻 / 冲击钻 " 的转换开关
- 3 电子转速设定的调整轮 (GSB 20-2 RCE/GSB 20-2 RET)
- 4 " 正常钻 / 旋转螺丝 " 的功能转换钮 (GSB 20-2 RET)
- 5 正逆转开关 (GSB 20-2 RE/GSB 20-2 RCE/ GSB 20-2 RET)
- 6 软柄
- 7 起停开关
- 8 转速调整轮 (GSB 20-2 RE)
- 9 起停开关的锁紧键
- 10 选档开关
- 11 调整深度尺的按键
- 12 辅助手柄\*
- 13 深度尺\*
- 14 夹头扳手
- 15 齿环夹头
- 16 螺丝批嘴\*
- 17 通用批嘴连杆\*
- 18 六角扳手\*\*

\*图表或说明上提到的附件，并非全部包含在供货范围中。

\*\*可以在市面上购得 (不包含在供货范围中)。

## 技术数据

冲击电钻 GSB ... PROFESSIONAL		20-2	20-2 RE	20-2 RE	20-2 RCE	20-2 RET
物品代码	0 601 ...	19B 0..	19B 4..	19B 5..	19B 7..	19B 9..
标称输入功率	瓦	750	800	800	1010	1010
输出功率	瓦	350	420	420	475	475
无负载转速						
第一档	次/分	1100	0 - 1100	0 - 1100	0 - 1100	0 - 1100
第二档	次/分	3000	0 - 3000	0 - 3000	0 - 3000	0 - 3000
标称转速						
第一档	次/分	740	740	740	1100	1100
第二档	次/分	1930	1930	1930	3000	3000
空转时的冲击次数	次/分	48000	48000	48000	48000	48000
额定转速 (1./2. 档)	牛·吨米	4,3/1,7	5,4/2,1	5,4/2,1	4,3/1,7	4,3/1,7
电子扭力限制功能 (Torque Control)		-	-	-	-	●
设定转速		-	●	●	●	●
恒定电子装置		-	-	-	●	●
正 / 逆转功能		-	●	●	●	●
两段换档		●	●	●	●	●
齿环夹头		●	●	-	-	-
快速夹头		-	-	●	●	●
全自动的主轴锁定功能 (Auto-Lock)		-	-	●	●	●
主轴颈直径	毫米	43	43	43	43	43
最大钻孔直径 Ø (1./2. 档)						
砖墙	毫米	22/16	22/16	22/16	22/16	22/16
混凝土	毫米	20/13	20/13	20/13	20/13	20/13
钢	毫米	13/8	13/8	13/8	16/8	16/8
木材	毫米	40/25	40/25	40/25	40/25	40/25
夹头的夹紧范围	毫米	1,5 - 13	1,5 - 13	1,5 - 13	1,5 - 13	1,5 - 13
重量符合 EPTA-Procedure 01/2003	公斤	2,5	2,5	2,5	2,6	2,6
绝缘等级		□/II	□/II	□/II	□/II	□/II

本说明书提供的参数是针对 230 /240 伏特的电压。此数据不适用于非使用上述电压的国家，也不适用于低电压地区。

请认清电动工具铭牌上的物品代码。电动工具在销售市场上没有统一的商品名称。

## 安装

### 辅助手柄 (参考插图 A)

#### 操作电动工具时必须使用辅助手柄 12。

您可以根据需要改变辅助手柄 12 的位置，以提高工作安全和增加工作的舒适性。

朝著逆时针方向转动辅助手柄 12。把辅助手柄 12 摆动到需要的位置。接著再朝顺时针方向转紧辅助手柄 12。

### 调整钻深 (参考插图 A)

使用深度尺 13 可以设定需要的钻深 X。

按下调整深度尺的按键 11，再把深度尺装入辅助手柄 12 中。

适当调整深度尺，从钻咀尖端到深度尺尖端的距离必须和需要的钻深 X 一致。

深度尺 13 上的肋纹必须朝上。

## 更换工具

**维修电动工具或换装零、配件之前，务必从插座上拔出插头。**

### 快速夹头（参考插图 B）

如果未按下起停开关 **7**，主轴是处在锁定状态。因此能够简便，快速地在夹头上更换工具。

转开快速夹头 **1** 至能够插入工具为止。安装好工具。

顺着时针的转向用力旋转快速夹头 **1** 的套筒，必须旋转至不再听见过槽的摩擦声响为止。此时夹头已经自动锁定。

当您朝著反方向转动套筒以便取出工具时，锁定便已经自动解除。

### 齿环夹头（参考插图 C）

► **更换工具时必须佩戴手套。** 长期工作之后夹头会变得十分炽热。

转动齿环夹头 **15** 至能够装入工具为止，安装好工具。

把夹头扳手 **14** 插入夹头 **15** 上的收紧孔中，並正确地夹紧工具。

### 起子机的工具（参考插图 D）

以螺丝批嘴 **16** 作业时，一定要使用通用批嘴连杆 **17**。只能选用能够配合螺丝头的螺丝批嘴。

旋转螺丝时必须把“正常钻 / 冲击钻”的转换开关 **2** 调整到“正常钻”的符号上。

## 更换夹头

**维修电动工具或换装零、配件之前，务必从插座上拔出插头。**

**如果电动工具本身没有主轴锁定功能。更换夹头的工作必须交给经过授权的博世电动工具客户服务处执行。**

### 拆卸夹头（参考插图 E）

先拆下辅助手柄，把选档开关 **10** 调整在第 **1** 档和第 **2** 档之间。

把直径  $\varnothing 4$  毫米长度约 **50** 毫米的钢棒插入主轴颈的孔中，以便锁定主轴颈。

把六角扳手 **18** 的短端插入快速夹头 **1** 中。

把电动工具放在平稳的底垫上，例如工作台。握稳电动工具，朝著反时针的方向转动六角扳手 **18** 便可以放鬆快速夹头 **1** 如果快速夹头卡住了，轻敲六角扳手 **18** 的长端便可以解开夹头。取出插在快速夹头中的六角扳手，并转出快速夹头。

### 安装夹头（参考插图 F）

以反顺序安装快速夹头。

**安装好夹头之后，必须从轴颈孔中取出钢棒。**



使用约 **35-40** 牛顿米的拉紧扭力拧紧夹头。

## 操作

### 操作机器

**注意电源的电压！** 电源的电压必须和电动工具铭牌上标示的电压一致。

### 改变转向（参考插图 G-H）

**(GSB 20-2 RE/GSB 20-2 RCE/GSB 20-2 RET)**

**在电动工具完全静止时才可以使正逆转开关 5。**

使用正逆转开关 **5** 可以改变机器的转向。如果按住了起停开关 **7**，则无法改变转向。

**正转：** 钻孔或拧入螺丝时必须把机器左侧的正逆转开关 **5** 向下推，并同时机器右侧的正逆转开关往上移。

**逆转：** 放鬆或拧出螺丝，螺母时必须把机器左侧的正逆转开关 **5** 向上推，并同时机器右侧的正逆转开关往下移。

### 设定操作模式



#### 正常钻和旋转螺丝

把转换开关 **2** 调整到“正常钻”的符号上。



#### 冲击钻

把转换开关 **2** 设定在“冲击钻”的符号上。

在设定的过程中，可以明显地感觉到转换开关 **2** 齿合。机器运作中也可以进行调整。

### 机械式选档

在电动工具静止时，或者运作当中都可以使用选档开关 **10**。但在机器超荷或者正以最高转速运作时，则勿启动选档开关。

使用选档开关 **10** 能够预设 **2** 个转速范围。



#### 第 1 档

低转速范围；适用于钻大的孔时或旋转螺丝时。



#### 第 2 档

高转速范围；适用于钻小的孔时。

如果无法将选档开关 **10** 旋转到尽头，可以透过钻头稍微转动主轴。



**开 / 关闭**

**操作电动工具**时先按下电动工具的起停开关 **7**，并持续按著。

按下锁紧键 **9** 即可**锁定**被按住的起停开关 **7**。

放开起停开关 **7** 即可**关闭**电动工具。如果起停开关被锁紧键 **9** 固定了，先按下起停开关 **7** 并随即将其放开。

**过载离合器**

为了局限高危险性的反应扭力，本电动工具配备了超荷联结装置（Anti-Rotation）。

如果工具卡住了，传往主轴的动力会中断。此时会产生非常大的震动力。**因此操作机器时务必要用双手握紧机器，并且要确保立足稳固。**

**如果电动工具卡住了，先关闭电动工具，再取出工具。** 开动工具被卡住的电动工具，会产生很高的反应力矩。

**调整转速 / 冲击次数 (GSB 20-2 RE/GSB 20-2 RCE/ GSB 20-2 RET)**

施加在起停开关 **7** 上的压力，可以改变转速 / 冲击次数。轻按起停开关 **7**，机器以低转速 / 冲击次数运作。增强施加在起停开关上的压力，可以提高机器的转速 / 冲击次数。

**设定转速 / 冲击次数 (GSB 20-2 RE)**

使用指拨轮 **8** 可以设定需要的转速 / 冲击次数。即使在机器运作中也可以改变转速 / 冲击次数。

正确的转速 / 冲击次数必须视加工物料和工作状况而定，唯有实际操作才能够得到最合适的结果。

**电子转速设定开关 (GSB 20-2 RCE/GSB 20-2 RET)**

使用电子转速设定的调整轮 **3**，在机器运行当中也可以设定需要的转速 / 冲击次数。

正确的转速 / 冲击次数必须视加工物料和工作状况而定，唯有实际操作才能够得到最合适的结果。

**恒定电子装置 (GSB 20-2 RCE/GSB 20-2 RET)**

恒定电子装置让转速和冲击次数在无载运作和负载运作时都能够保持恒定。

**电子扭力限制功能 / 转速设定功能 (Torque Control) (GSB 20-2 RET)**

**使用转速设定功能钻孔**时必须把功能转换钮 **4** 调整在 "正常钻" 符号上。即使在机器运作中也可以使用调整轮 **3** 设定需要的转速。



**使用扭力限制功能旋转螺丝**时必须把功能转换钮 **4** 调整在 "旋转螺丝" 符号上。即使在机器运作中也可以使用调整轮 **3** 无级式地调整传送到主轴上的扭力。

**I=低扭力 III=高扭力**  
机器的最大转速会自动与设定好的扭力配合。

旋转螺丝时扭力如果已经到达了设定的上限，电动工具会自动关闭；夹头上的工具停止转动。如果电动工具的负荷减轻了，而起停开关 **7** 仍然被按住，基于安全的顾虑，夹头上的工具会以极低的转速继续运转。此时必须暂时放开起停开关 **7**，接著又可以使用相同的扭力拧紧下一个螺丝。



**如果不使用扭力限制功能旋转螺丝**，必须把调整轮 **3** 向右旋转到尽头。当调整轮的第 **III** 段扭力不敷使用时，则可以采用上述设定。

**有关操作方式的指点**

**先确定机器已经关闭了，再把机器顶在螺母 / 螺丝上。**

**建议**

在机器以低转速长期运作之后，可让机器在空载的状况下，以最高转速旋转 **3** 分钟，以加速冷却。

在瓷砖上钻孔时，必须把转换开关 **2** 调整在 "正常钻" 的符号上。待穿透瓷砖后，再把转换开关调整在 "冲击钻" 的符号上，并以冲击钻的功能继续作业。

在混凝土、石材和砖墙上钻孔时，必须使用硬金属钻头。

在金属上钻孔时只能使用完好，经过研磨的 HSS 钻头（HSS = 高效率高速钢）。在博世的附件产品系列中，有符合这个品质等级的产品。

使用钻头研磨器（参考附件），可轻易地补磨 2,5-10 毫米的麻花钻头。

**软柄**

握柄 **6**（软柄）具备止滑的功能，可以加强电动工具的操作性。

此外软柄上的橡胶还具备了减震的功能。



## 维修和服务



### 维修和清洁

**维修电动工具或换装零、配件之前，务必从插座上拔出插头。**

**电动工具和通风间隙都必须保持清洁，这样才能够提高工作品质 and 安全性。**

本公司生产的电动工具都经过严密的品质检验，如果机器仍然发生故障，请将机器交给博世电动工具公司授权的顾客服务处修理。

询问和订购备件时，务必提供机器铭牌上标示的 10 位数物品代码。

### 服务与顾客咨询

有关机器分解图和备用零件的资料请参阅：  
**www.bosch-pt.com**

有关保证，维修或更换零件事宜，请向合格的经销商查询。

#### 中华人民共和国

网址：[www.bosch-pt.com.cn](http://www.bosch-pt.com.cn)

#### 中国大陆

博世电动工具（中国）有限公司

中国，浙江省，杭州市

滨江区，滨康路 567 号

邮编 310052

客户服务热线：..... 800 8 20 84 84

电话：..... +86 571 87 77 43 38

传真：..... +86 571 87 77 45 02

#### 香港和澳门特别行政区

香港上环干诺道中 168 - 200 号

信德中心西座 1210 室

客户服务热线：..... +852 25 89 15 61

传真：..... +852 25 48 79 14

电邮：[bosch@melchers.com.hk](mailto:bosch@melchers.com.hk)

### 处理废弃物

必须以符合环保的方式，回收再利用损坏的机器、附件和废弃的包装材料。

**保留修改权。**



## 針對電動工具的一般性警告提示

**警告** 閱讀所有的警告提示和指示。如未確實遵循警告提示和指示，可能導致電擊、火災並且 / 或其他的嚴重傷害。

妥善保存所有的警告提示和指示，以便日後查閱。

在警告提示和指示中使用的“電動工具”是指必須連接電源的電動工具（配備電線）和使用蓄電池的電動工具（無電線）。

### 1) 工作場所的安全規章

- a) 工作場所必須保持乾淨並且照明要充足。雜亂或昏暗的工作場所容易導致意外。
- b) 不可在有爆炸危險的環境下操作本電動工具。有爆炸危險的環境是指充斥了易燃液體、瓦斯或塵埃的工作場所。操作機器時會產生火花，火花容易引燃塵埃或易燃蒸汽。
- c) 操作機器時不可讓兒童或旁觀者靠近工作場所。工作時如果因為第三者的干擾而分散注意力可能導致操作失控。

### 2) 使用電器用品的安全指示

- a) 使用的插座必須能夠配合電動工具的插頭。切勿擅自更改插頭。轉接插頭不可以和接了地線的電動工具一起使用。使用機器出廠時的原裝插頭和合適的插座可以降低遭受電擊的危險。
- b) 避免讓身體碰觸接地的物體，例如水管、散熱器、電爐和冰箱等。如果您的身體接地了，非常容易遭受電擊。
- c) 機器必須遠離雨水或濕氣。如果讓水滲入電動工具中，會提高操作者遭受電擊的危險。
- d) 正確地處理電線。不可以使用電線提攜電動工具、懸掛電動工具或者以拖拉電線的方式拔出插頭。電線必須遠離高溫、油垢、鋒利的邊緣或轉動中的機件。電線如果受損或纏繞在一起，會提高操作者遭受電擊的危險。
- e) 如果在戶外使用電動工具，只能使用合適的戶外專用延長線。使用合格的戶外專用延長線，可降低操作者遭受電擊的危險。
- f) 如果無法避免的，必須在潮濕的環境中使用本電動工具，得使用剩餘電流保護開關。使用剩餘電流保護開關可以預防遭受電擊。

### 3) 針對操作者的安全指示

- a) 工作時務必要全神貫注，不但要保持頭腦清醒更要理性地操作電動工具。疲憊、喝酒或服用毒品、興奮劑、藥物之後，切勿操作電動工具。使用電動工具時只要稍微分心便可能發生後果嚴重的意外。

b) 穿好您個人的防護裝備並戴上護目鏡。根據所使用的電動工具穿戴合適的防護裝備，例如防塵面罩、止滑工作鞋、安全帽或耳罩，可降低工作傷害的發生機率。

c) 避免意外啟動機器。插上插頭並且 / 或安裝蓄電池之前，提起或搬運機器之前，務必先檢查電動工具是否處在關閉狀況。如果您在提攜電動工具時，手指碰觸了開關，或著在連接電源時，起停開關仍然設定在開動位置，都可能造成極嚴重的意外。

d) 開動電動工具之前必須拆除仍然插在機器上的調整工具 / 或螺絲扳手。如果機器已經開始轉動，而機器上仍然插著調整工具，很容易傷害使用者。

e) 避免錯誤的持機姿勢。操作機器時要確保立足穩固，並要隨時保持平衡。正確的操作姿勢能夠幫助您在突發狀況下及時控制住電動工具。

f) 穿著合適的工作服。工作時不可以穿太寬鬆的衣服，也不可以戴首飾。不可以讓頭髮、衣服和手套接觸機器上的轉動機件。寬鬆的衣物、長髮或首飾容易被捲入轉動的機件中。

g) 如果能夠在機器上安裝吸塵裝置、集塵裝備，務必按照指示安裝此類輔助工具，並且正確地操作該裝置。使用吸塵裝備可以防止工作塵危害人體。

### 4) 小心地使用和處理電動工具

a) 勿讓機器承載過重的負荷。根據工作性質選擇適合的電動工具。正確地選用電動工具可以在規定的功率範圍中，更有效率更安全的操作機器。

b) 勿使用開關故障的電動工具。如果無法正常操控起停開關，極容易在操作機器時產生意外。盡快將故障的機器送修。

c) 在調整機器設定、更換零件或不使用機器時，都必須先從插座上拔出插頭並且 / 或取出蓄電池。這個預防措施可以避免不小心開動電動工具。

d) 不使用電動工具時，必須把機器存放在兒童無法取得之處。勿讓不熟悉機器操作方法及未閱讀本說明書的人使用本機器。讓經驗不足的人操作電動工具容易發生意外。

e) 細心地保養、維護電動工具。檢查機器上的轉動零件是否運作正常，並確定是否有零件斷裂或損壞。故障的機件會影響電動工具的運作功能。使用機器之前務必先更換或修理故障的機件。若未徹底執行機器的維護工作容易導致工作意外。

f) 切割工具必須保持鋒利、清潔。經過細心保養而且刀刃鋒利的切割工具不易被夾住，而且較容易操作。

g) 遵照這些指示使用電動工具、配件及安裝在機器上的工具。另外也必須注意有關機器操作方式及機器適用範圍的解說。如果使用電動工具執行不符合該機器性能的工作，極容易發生意外。

#### 5) 檢修服務

a) 只能將電動工具交給合格的專業人員檢修。檢修時只能換裝原廠零件、配件。唯有如此才能確保機器的安全性能。

## 針對機器的安全指示

- ▶ 工作時必須用雙手握緊電動工具，並且要確保立足穩固。使用雙手比較能夠握穩電動工具。
- ▶ 固定好工件。使用固定裝置或老虎鉗固定工件，會比用手持握工件更牢固。
- ▶ 勿加工含石棉的物料。石棉可能致癌。
- ▶ 如果操作機器時會產生有害健康、易燃或可能引爆的廢塵，務必採取適當的防護措施。例如針對某些可能導致癌症的塵埃，務必戴上防塵面具，如果能夠在機器上安裝吸塵器，也要加裝此機件。
- ▶ 工作場所必須保持清潔。不同的工作塵經過混合後容易產生化學反應，十分危險。輕金屬塵容易著火或引起爆炸。
- ▶ 等待電動工具完全靜止後才能夠放下機器。機器上的工具可能在工作中被夾住，而令您無法控制電動工具。
- ▶ 勿使用電線已經損壞的電動工具。如果電源電線在工作中受損，千萬不可觸摸損壞的電線，並馬上拔出插頭。損壞的電線會提高使用者觸電的危險。
- ▶ 在戶外使用電動工具時，必須在電動工具上安裝故障電流 (FI) 保護開關。
- ▶ 使用沖擊電鑽時請佩戴耳罩。噪音會損壞您的聽力。
- ▶ 請使用電動工具附帶的輔助手柄。如果無法控制好電動工具容易造成傷害。
- ▶ 使用合適的偵測器，以便找出隱藏著的電源線的位置。或者向當地的供電單位索取相關資料。鑽穿電線會造成火災並遭受電擊。損壞瓦斯管會引起爆炸。如果水管被刺穿了會導致財物損失。
- ▶ 如果工作時可能割斷隱藏著的電線或機器本身的電源線，那麼一定要握著絕緣手柄操作機器。電動工具如果接觸了帶電的線路，機器上的金屬部件會導電，並可能造成操作者觸電。

## 功能解說



閱讀所有的警告提示和指示。如未確實遵循警告提示和指示，可能導致電擊、火災並且 / 或其他的嚴重傷害。

翻開標示了機器詳解圖的折疊頁。閱讀操作指南時必須翻開折疊頁參考。

## 按照規定使用機器

本機器適合在磚塊、混凝土和石材上進行沖擊鑽。另外也可以在木材、金屬、陶瓷和塑料上鑽孔。配備電子調速裝備和正 / 逆轉功能的機型，也能夠鬆 / 緊螺絲和攻牙。

## 插圖上的機件

機件的編號和電動工具詳解圖上的編號一致。

- 1 快速夾頭
- 2 " 正常鑽 / 沖擊鑽 " 的轉換開關
- 3 電子轉速設定的調整輪 (GSB 20-2 RCE/GSB 20-2 RET)
- 4 " 正常鑽 / 旋轉螺絲 " 的功能轉換鈕 (GSB 20-2 RET)
- 5 正逆轉開關 (GSB 20-2 RE/GSB 20-2 RCE/GSB 20-2 RET)
- 6 軟柄
- 7 起停開關
- 8 轉速調整輪 (GSB 20-2 RE)
- 9 起停開關的鎖緊鍵
- 10 選檔開關
- 11 調整深度尺的按鍵
- 12 輔助手柄\*
- 13 深度尺\*
- 14 夾頭扳手
- 15 齒環夾頭
- 16 螺絲批嘴\*
- 17 通用批嘴連桿\*
- 18 六角扳手\*\*

\*圖表或說明上提到的附件，並非全部包含在供貨範圍中。

\*\*可以在市面上購得 (不包含在供貨範圍中)。

## 技術性數據

衝擊電鑽 GSB ... PROFESSIONAL		20-2	20-2 RE	20-2 RE	20-2 RCE	20-2 RET
物品代碼	0 601 ...	19B 0..	19B 4..	19B 5..	19B 7..	19B 9..
標稱輸入功率	瓦	750	800	800	1010	1010
輸出功率	瓦	350	420	420	475	475
無負載轉速						
第一檔	次/分	1100	0 - 1100	0 - 1100	0 - 1100	0 - 1100
第二檔	次/分	3000	0 - 3000	0 - 3000	0 - 3000	0 - 3000
標稱轉速						
第一檔	次/分	740	740	740	1100	1100
第二檔	次/分	1930	1930	1930	3000	3000
空轉時的沖擊次數	次/分	48000	48000	48000	48000	48000
額定轉速 (1./2. 檔)	牛頓米	4,3/1,7	5,4/2,1	5,4/2,1	4,3/1,7	4,3/1,7
電子扭力限制功能 (Torque Control)		-	-	-	-	●
設定轉速		-	●	●	●	●
恆定電子裝置		-	-	-	●	●
正 / 逆轉功能		-	●	●	●	●
兩段換檔		●	●	●	●	●
齒環夾頭		●	●	-	-	-
快速夾頭		-	-	●	●	●
全自動的主軸鎖定功能 (Auto-Lock)		-	-	●	●	●
主軸頸直徑	毫米	43	43	43	43	43
最大鑽孔直徑 Ø (1./2. 檔)						
磚牆	毫米	22/16	22/16	22/16	22/16	22/16
混凝土	毫米	20/13	20/13	20/13	20/13	20/13
鋼	毫米	13/8	13/8	13/8	16/8	16/8
木材	毫米	40/25	40/25	40/25	40/25	40/25
夾頭的夾緊範圍	毫米	1,5 - 13	1,5 - 13	1,5 - 13	1,5 - 13	1,5 - 13
重量符合 EPTA-Procedure 01/2003	公斤	2,5	2,5	2,5	2,6	2,6
絕緣等級		□/II	□/II	□/II	□/II	□/II

本說明書提供的參數是針對 230 /240 伏特的電壓。此數據不適用於非使用上述電壓的國家，也不適用於低電壓地區。

請認清電動工具銘牌上的物品代碼。電動工具在銷售市場上沒有統一的商品名稱。

## 安裝

## 輔助手柄 (參考插圖 A)

## 操作電動工具時務必使用輔助手柄 12.

您可以根據需要改變輔助手柄 12 的位置，以提高工作安全和增加工作的舒適性。

朝著逆時針方向轉動輔助手柄 12。把輔助手柄 12 擺動到需要的位置。接著再朝順時針方向轉緊輔助手柄 12。

## 調整鑽深 (參考插圖 A)

使用深度尺 13 可以設定需要的鑽深 X。

按下調整深度尺的按鍵 11，再把深度尺裝入輔助手柄 12 中。

適當調整深度尺，從鑽咀尖端到深度尺尖端的距離必須和需要的鑽深 X 一致。

深度尺 13 上的肋紋必須朝上。

## 更換工具

維修電動工具或換裝零、配件之前，務必從插座上拔出插頭。

### 快速夾頭（參考插圖 B）

如果未按下起停開關 7 主軸是處在鎖定狀態。因此能夠簡便，快速地在夾頭上更換工具。

轉開快速夾頭 1 至能夠插入工具為止。安裝好工具。

順著時針的轉向用力旋轉快速夾頭 1 的套筒，必須旋轉至不再聽見過槽的摩擦聲響為止。此時夾頭已經自動鎖定。

當您朝著反方向轉動套筒以便取出工具時，鎖定便已經自動解除。

### 齒環夾頭（參考插圖 C）

▶ 更換工具時必須佩戴手套。長期工作之後夾頭會變得十分熾熱。

轉動齒環夾頭 15 至能夠裝入工具為止，安裝好工具。

把夾頭扳手 14 插入夾頭 15 上的收緊孔中，並正確地夾緊工具。

### 起子機的工具（參考插圖 D）

以螺絲批嘴 16 作業時，一定要使用通用批嘴連桿 17。只能選用能夠配合螺絲頭的螺絲批嘴。

旋轉螺絲時必須把“正常鑽 / 沖擊鑽”的轉換開關 2 調整到“正常鑽”的符號上。

## 更換夾頭

維修電動工具或換裝零、配件之前，務必從插座上拔出插頭。

如果電動工具本身沒有主軸鎖定功能。更換夾頭的工作必須交給經過授權的博世電動工具客戶服務處執行。

### 拆卸夾頭（參考插圖 E）

先拆下輔助手柄，把選檔開關 10 調整在第 1 檔和第 2 檔之間。

把直徑  $\varnothing 4$  毫米長度約 50 毫米的鋼棒插入主軸頭的孔中，以便鎖定主軸頭。

把六角扳手 18 的短端插入快速夾頭 1 中。

把電動工具放在平穩的底墊上，例如工作台。握穩電動工具，朝著反時針的方向轉動六角扳手 18 便可以放鬆快速夾頭 1。如果快速夾頭卡住了，輕敲六角扳手 18 的長端便可以解開夾頭。取出插在快速夾頭中的六角扳手，並轉出快速夾頭。

### 安裝夾頭（參考插圖 F）

以反順序安裝快速夾頭。

安裝好夾頭之后，必須從軸頭孔中取出鋼棒。



使用約 35–40 牛頓米的拉緊扭力擰緊夾頭。

## 操作

### 操作機器

**注意電源的電壓！** 電源的電壓必須和電動工具銘牌上標示的電壓一致。

### 改變轉向（參考插圖 G–H）

**(GSB 20-2 RE/GSB 20-2 RCE/GSB 20-2 RET)**

在電動工具完全靜止時才可以使用正逆轉開關 5。

使用正逆轉開關 5 可以改變機器的轉向。如果按住了起停開關 7，則無法改變轉向。

**正轉：** 鑽孔或擰入螺絲時必須把機器左側的正逆轉開關 5 向下推，並同時將機器右側的正逆轉開關往上移。

**逆轉：** 放鬆或擰出螺絲，螺母時必須把機器左側的正逆轉開關 5 向上推，並同時將機器右側的正逆轉開關往下移。

### 設定操作模式



#### 正常鑽和旋轉螺絲

把轉換開關 2 調整到“正常鑽”的符號上。



#### 沖擊鑽

把轉換開關 2 設定在“沖擊鑽”的符號上。

在設定的過程中，可以明顯地感覺到轉換開關 2 齒合。機器運作中也可以進行調整。

### 機械式選檔

在電動工具靜止時，或者運作當中都可以使用選檔開關 10。但在機器超荷或者正以最高轉速運作時，則勿啓動選檔開關。

使用選檔開關 10 能夠預設 2 個轉速範圍。



#### 第 1 檔

低轉速範圍；適用於鑽大的孔時或旋轉螺絲時。



#### 第 2 檔

高轉速範圍；適用於鑽小的孔時。

如果無法將選檔開關 10 旋轉到盡頭，可以透過鑽頭 稍微轉動主軸。

**開動 / 關閉**

**操作電動工具**時先按下電動工具的起停開關 **7**，並持續按著。

按 **下鎖緊鍵 9** 即可鎖定被按住的起停開關 **7**。

放開起停開關 **7** 即可**關閉**電動工具。如果起停開關被鎖緊鍵 **9** 固定了，先按下起停開關 **7** 並隨即將其放開。

**過載離合器**

爲了局限高危險性的反應扭力，本電動工具配備了超荷聯結裝置（Anti-Rotation）。

如果工具卡住了，傳往主軸的動力會中斷。此時會產生非常大的震動力。因此**操作機器時務必要用雙手握緊機器，並且要確保立足穩固。**

如果電動工具卡住了，先**關閉電動工具**，再取出工具。開動工具被卡住的電動工具，會產生很高的反應力矩。

**調整轉速 / 沖擊次數 (GSB 20-2 RE/GSB 20-2 RCE/ GSB 20-2 RET)**

施加在起停開關 **7** 上的壓力，可以改變轉速 / 沖擊次數。輕按起停開關 **7**，機器以低轉速 / 沖擊次數運作。增強施加在起停開關上的壓力，可以提高機器的轉速 / 沖擊次數。

**設定轉速 / 沖擊次數 (GSB 20-2 RE)**

使用指撥輪 **8**，可以設定需要的轉速 / 沖擊次數。即使在機器運作中也可以改變轉速 / 沖擊次數。

正確的轉速 / 沖擊次數必須視加工物料和工作狀況而定，唯有實際操作才能夠得到最合適的結果。

**電子轉速設定開關 (GSB 20-2 RCE/GSB 20-2 RET)**

使用電子轉速設定的調整輪 **3**，在機器運行當中也可以設定需要的轉速 / 沖擊次數。

正確的轉速 / 沖擊次數必須視加工物料和工作狀況而定，唯有實際操作才能夠得到最合適的結果。

**恆定電子裝置 (GSB 20-2 RCE/GSB 20-2 RET)**

恆定電子裝置讓轉速和沖擊次數在無載運作和負載運作時都能夠保持恆定。

**電子扭力限制功能 / 轉速設定功能 (Torque Control) (GSB 20-2 RET)**

使用轉速設定功能鑽孔時必須把功能轉換鈕 **4** 調整在“正常鑽”符號上。即使在機器運作中也可以使用調整輪 **3** 設定需要的轉速。



使用**扭力限制功能旋轉螺絲**時必須把功能轉換鈕 **4** 調整在“旋轉螺絲”符號上。即使在機器運作中也可以使用調整輪 **3** 無級式地調整傳送到主軸上的扭力。

**I**=低扭力 **III**=高扭力  
機器的最大轉速會自動與設定好的扭力配合。

旋轉螺絲時扭力如果已經到達了設定的上限，電動工具會自動關閉；夾頭上的工具停止轉動。如果電動工具的負荷減輕了，而起停開關 **7** 仍然被按住，基於安全的考慮，夾頭上的工具會以極低的轉速繼續運轉。此時必須暫時放開起停開關 **7**，接著又可以使用相同的扭力擰緊下一個螺絲。



如果**不使用扭力限制功能旋轉螺絲**，必須把調整輪 **3** 向右旋轉到盡頭。當調整輪的第 **III** 段扭力不敷使用時，則可以采用上述設定。

**有關操作方式的指點**

先**確定機器已經關閉了**，再把機器頂在螺母 / 螺絲上。

**建議**

在機器以低轉速長期運作之後，可讓機器在空載的狀況下，以最高轉速旋轉 **3** 分鐘，以加速冷卻。

在瓷磚上鑽孔時，必須把轉換開關 **2** 調整在“正常鑽”的符號上。待穿透瓷磚後，再把轉換開關調整在“沖擊鑽”的符號上，並以沖擊鑽的功能繼續作業。

在混凝土、石材和磚牆上鑽孔時，必須使用硬金屬鑽頭。

在金屬上鑽孔時只能使用完好，經過研磨的 HSS 鑽頭（HSS = 高效率高速鋼）。在博世的附件產品系列中，有符合這個品質等級的產品。

使用鑽頭研磨器（參考附件），可輕易地補磨 2,5-10 毫米的麻花鑽頭。

**軟柄**

握柄 **6**（軟柄）具備止滑的功能，可以加強電動工具的操作性。

此外軟柄上的橡膠還具備了減震的功能。



## 維修和服務

### 維修和清潔

維修電動工具或換裝零、配件之前，務必從插座上拔出插頭。

電動工具和通風間隙都必須保持清潔，這樣才能夠提高工作品質和安全性。

本公司生產的電動工具都經過嚴密的品質檢驗，如果機器仍然發生故障，請將機器交給博世電動工具公司授權的顧客服務處修理。

詢問和訂購備件時，務必提供機器銘牌上標示的 10 位數物品代碼。

### 服務與顧客諮詢

有關機器分解圖和備用零件的資料請參閱：  
**www.bosch-pt.com**

有關保證，維修或更換零件事宜，請向合資格的分銷商查詢。

#### 台灣

德商美最時貿易股份有限公司

台灣分公司

台北市 10454 林森北路 380 號金石大樓 9 樓

電話：..... +88 62 / 25 51 32 64-9

傳真：..... +88 62 / 25 51 32 60

E-Mail: boschinfo@melchers.com.tw

### 處理廢棄物

必須以符合環保的方式，回收再利用損壞的機器、附件和廢棄的包裝材料。

保留修改權。





## 전동공구용 일반 안전 경고 사항

**⚠ 경고** 모든 안전 경고 사항과 지시 사항을 상세히 읽고 지켜야 합니다. 다음의 안전 경고 사항과 지시 사항을 준수하지 않으면 화재 위험이 있으며 감전 혹은 중상을 입을 수 있습니다.

**앞으로의 참고를 위해 이 안전 경고 사항과 사용 설명서를 잘 보관하십시오.**

다음에서 사용되는 “전동공구”라는 개념은 전원에 연결하여 사용하는 전동 기기 (전선이 있는) 나 배터리를 사용하는 전동 기기 (전선이 없는)를 의미합니다.

### 1) 작업장 안전

- a) 작업장을 항상 깨끗이 하고 조명을 밝게 하십시오. 작업장 환경이 어수선하거나 어두우면 사고를 초래할 수 있습니다.
- b) 가연성 유체, 가스 또는 분진이 있어 폭발 위험이 있는 환경에서 전동공구를 사용하지 마십시오. 전동공구는 분진이나 증기에 점화하는 불꽃을 일으킬 수 있습니다.
- c) 전동공구를 사용할 때 구멍이나 어린이 혹은 다른 사람이 작업장에 접근하지 못하게 하십시오. 다른 사람이 주의를 산만하게 하면 기기에 대한 통제를 잃기 쉽습니다.

### 2) 전기에 관한 안전

- a) 전동공구의 전원 플러그가 전원 콘센트에 잘 맞아야 합니다. 플러그를 조금이라도 변경시키서는 안됩니다. 접지된 전동공구를 사용할 때 어댑터 플러그를 사용하지 마십시오. 변형되지 않은 플러그와 잘 맞는 콘센트를 사용하면 감전의 위험을 감소할 수 있습니다.
- b) 파이프, 라디에이터, 해인저, 냉장고와 같은 접지 표면에 물이 닿지 않도록 하십시오. 물에 닿을 경우 감전될 위험이 높습니다.
- c) 전동공구를 비에 맞지 않게 하고 습기 있는 곳에 두지 마십시오. 전동공구에 물이 들어가면 감전될 위험이 높습니다.
- d) 전원 코드를 잡고 전동공구를 운반하거나 걸어 놓아서는 안되며, 콘센트에서 전원 플러그를 뽑을 때 전원 코드를 잡아 당겨서는 절대로 안됩니다. 전원 코드가 열과 오일에 접촉하는 것을 피하고, 날카로운 모서리나 기기의 가동 부위에 닿지 않도록 주의하십시오. 손상되거나 영긴 전원 코드는 감전을 유발할 수 있습니다.
- e) 실외에서 전동공구로 작업할 때는 실외용으로 적합한 연장 전원 코드를 사용하십시오. 실외용 연장 전원 코드를 사용하면 감전의 위험을 줄일 수 있습니다.
- f) 전동공구를 습기 찬 곳에서 사용해야 할 경우에는 누전 차단기를 사용하십시오. 누전 차단기를 사용하면 감전 위험을 줄일 수 있습니다.

### 3) 사용자 안전

- a) 신중하게 작업하십시오. 작업을 할 때 주의를 하며, 전동공구를 사용할 때 경솔하게 행동하지 마십시오. 피로한 상태이거나 약물 복용 및 음주한 후에는 전동공구를 사용하지 마십시오. 전동공구를 사용할 때 잠시라도 주의가 산만해지면 중상을 입을 수 있습니다.
- b) 작업자 안전을 위한 장치를 사용하십시오. 항상 보안경을 착용하십시오. 전동공구의 종류와 사용에 따라 먼지 보호 마스크, 미끄러지지 않는 안전한 신발, 안전모 또는 귀마개 등의 안전한 복장을 하면 상해의 위험을 줄일 수 있습니다.
- c) 실수로 기기가 작동되지 않도록 주의하십시오. 전동공구를 전원에 연결하거나 배터리 팩을 끼우기 전에, 혹은 기기를 풀거나 운반하기 전에, 전원 스위치가 꺼져 있는지 다시 확인하십시오. 전동공구를 운반할 때 전원 스위치에 손가락을 대거나 전원 스위치가 켜진 상태에서 전원을 연결하면 사고 위험이 높습니다.
- d) 전동공구를 사용하기 전에 조절하는 볼이나 나사 키 등을 놓으십시오. 회전하는 부위에 있는 볼이나 나사 키로 인해 상처를 입을 수 있습니다.
- e) 자신을 과신하지 마십시오. 불안정한 자세를 피하고 항상 평형을 이룬 상태로 작업하십시오. 안정된 자세와 평형한 상태로 작업해야만 이의의 상황에서 전동공구를 안전하게 사용할 수 있습니다.
- f) 알맞은 작업복을 입으십시오. 헐렁한 복장을 하거나 장식품을 착용하지 마십시오. 머리나 옷 또는 장갑이 가동하는 기기 부위에 가까이 닿지 않도록 주의하십시오. 헐렁한 복장, 장식품 혹은 긴 머리는 가동 부위에 걸려 사고를 초래할 수 있습니다.
- g) 회전 제거장치나 수거장치의 조절이 가능한 경우, 이 장치가 연결되어 있는지, 제대로 작동이 되는지 확인하십시오. 이러한 분진 제거 장치를 사용하면 분진으로 인한 사고 위험을 줄일 수 있습니다.

### 4) 전동공구의 올바른 사용과 취급

- a) 기기를 과부하 상태에서 사용하지 마십시오. 작업을 하는 데 이에 적당한 전동공구를 사용하십시오. 알맞은 전동공구를 사용하면 지정된 성능 한도 내에서 더 효율적으로 안전하게 작업할 수 있습니다.
- b) 전원 스위치가 고장 난 전동공구를 사용하지 마십시오. 전원 스위치가 작동되지 않는 전동공구는 위험하므로, 반드시 수리를 해야 합니다.
- c) 기기에 개편을 하거나 액세서리 부품을 교환하거나 혹은 기기를 보낼 때, 항상 전원 콘센트에서 플러그를 미리 빼어 놓으십시오. 이러한 조치는 실수로 전동공구가 작동하게 되는 것을 예방합니다.
- d) 사용하지 않는 전동공구는 어린이 손이 닿지 않는 곳에 보관하고, 전동공구 사용에 익숙지 않거나 이 사용 설명서를 읽지 않은 사람은 기기를 사용해서는 안됩니다. 경험이 없는 사람이 전동공구를 사용하면 위험합니다.

- e) 전동공구를 조심스럽게 관리하십시오. 가동 부위가 하자 없이 정상적인 기능을 하는지, 걸리는 부위가 없는지, 혹은 전동공구의 기능에 중요한 부품이 손상되지 않았는지 확인하십시오. 손상된 기기의 부품은 전동공구를 다시 사용하기 전에 반드시 수리를 맡기십시오. 제대로 관리하지 않은 전동공구의 경우 많은 사고를 유발합니다.
- f) 절단 공구를 날카롭고 깨끗하게 관리하십시오. 날카로운 절단면이 있고 잘 관리된 절단공구는 걸리는 경우가 드물고 조절하기도 쉽습니다.
- g) 전동공구, 액세서리, 장착하는 공구 등을 사용할 때, 이 지시 사항과 특별히 기종 별로 나와있는 사용 방법을 준수하십시오. 이때 작업 조건과 실시하려는 작업 내용을 고려하십시오. 원래 사용 분야가 아닌 다른 작업에 전동공구를 사용할 경우 위험한 상황을 초래할 수 있습니다.

5) 서비스

- a) 전동공구 수리는 반드시 전문 인력에게 맡기고, 수리 정비 시 보쉬 승인 부품만을 사용하십시오. 그렇게 함으로써 기기의 안전성을 오래 유지할 수 있습니다.

## 기기 특유의 안전수칙

- ▶ 전동공구를 두 손으로 꼭 잡고 안전한 자세로 작업하십시오. 전동공구는 두 손으로 사용하면 더 안전합니다.
- ▶ 작업물을 잘 고정하십시오. 고정장치나 기계 바이스에 끼워서 작업하면 손으로 잡는 것보다 더 안전합니다.
- ▶ 석면을 함유한 소재에는 작업하지 마십시오. 석면은 발암성으로 간주됩니다.
- ▶ 작업 시 발생하는 분진이 건강에 유해하거나 가연성 혹은 폭발성이 있을 경우 적당한 안전 조치를 취하십시오. 실례: 어떤 분진은 발암성으로 간주됩니다. 분진 마스크를 착용하고 연결이 가능하다면 분진 / 톱밥 분출 장치를 사용하십시오.
- ▶ 작업장을 항상 깨끗이 유지하십시오. 작업 소재의 혼합물은 특히 위험합니다. 경금속 분진은 화재나 폭발을 야기할 수 있습니다.
- ▶ 전동공구를 내려놓기 전에 기기가 완전히 멈추었는지를 확인하십시오. 삽입공구가 걸리거나 전동공구에 대한 통제가 어려워질 수 있습니다.
- ▶ 절대로 전원 코드가 손상된 전동공구를 사용하지 마십시오. 작업하다가 전원 코드가 손상된 경우 손상된 코드를 만지지 말고 바로 소켓을 빼십시오. 손상된 전원 코드는 감전을 일으킬 위험이 높습니다.
- ▶ 실외에서 전동공구를 사용할 때 누전 차단기 (RCD) 가 설치된 전원에 연결하십시오.
- ▶ 임팩트 드릴을 사용할 때 위마개를 착용하십시오. 소음으로 인해 청각을 상실할 수 있습니다.

- ▶ 전동공구와 함께 공급된 보조 손잡이를 사용하십시오. 전동공구에 대한 통제를 잃게 되면 상해를 입을 수 있습니다.
- ▶ 보이지 않는 부위에 에너지 배선 및 배관여부를 확인하려면 적당한 탐지기를 사용하거나 담당 에너지 공급회사에 문의하십시오. 전선에 접촉하게 되면 화재나 전기 충격을 유발할 수 있습니다. 가스관을 손상시키면 폭발 위험이 있으며 수도관을 파손하게 되면 재산 피해를 야기할 수 있습니다.
- ▶ 작업할 때 드릴 비트로 보이지 않는 전선이나 기기 자체의 코드에 닿을 위험이 있으면 전동공구의 절연된 손잡이 면만을 잡으십시오. 전류가 흐르는 전선에 접하게 되면 기기의 금속 부위에 전기가 통해 감전될 위험이 있습니다.

## 기능 설명



모든 안전 경고 사항과 지시 사항을 상세히 읽고 지켜야 합니다. 다음의 안전 경고 사항과 지시 사항을 준수하지 않으면 화재 위험이 있으며 감전 혹은 중상을 입을 수 있습니다.

사용 설명서를 읽는 동안 기기의 그림이 나와있는 접힌 면을 펴 놓고 참고하십시오.

### 규정에 따른 사용

본 기기는 벽돌 콘크리트 석재에 임팩트 드릴작업, 목재 금속 플라스틱에 드릴작업을 하는 데 사용해야 합니다. 전자 제어 장치와 회전방향 선택 장치가 있는 모델은 스크류작업이나 나사산 절삭작업 (태핑작업) 도 가능합니다.

### 제품의 주요 명칭

제품의 주요 명칭에 표기되어 있는 번호는 기기 그림이 나와 있는 면을 참고하십시오.

- 1 키레스 직
- 2 “드릴 / 임팩트 드릴작업” 선택 스위치
- 3 전자식 속도 조절용 선편 (GSB 20-2 RCE/GSB 20-2 RET)
- 4 “드릴 / 스크류작업” 선택 스위치 선택 (GSB 20-2 RET)
- 5 좌 / 우 회전방향 선택 스위치 (GSB 20-2 RE/GSB 20-2 RCE/GSB 20-2 RET)
- 6 연결 손잡이
- 7 전원 스위치
- 8 속도 조절용 선편 (GSB 20-2 RE)
- 9 전원 스위치 잠금 버튼

- 10 기어 선택 스위치
- 11 깊이 조절자 조절용 버튼
- 12 보조 손잡이\*
- 13 깊이 조절자\*
- 14 드릴 척 키
- 15 키 타입 척

- 16 스크류 드라이버 비트\*
- 17 유니버설 비트 홀더\*
- 18 육각 키\*\*

\*도면이나 설명서에 나와있는 액세서리 중 일부는 표준 공급 부품에 속하지 않습니다.

\*\*시중에서 구매 가능 (표준 공급 부품에 포함되지 않음)

### 제품 사양

임팩트 드릴 GSB ... PROFESSIONAL		20-2	20-2 RE	20-2 RE	20-2 RCE	20-2 RET
제품 번호	0 601 ...	19B 0..	19B 4..	19B 5..	19B 7..	19B 9..
소비 전력	W	750	800	800	1010	1010
출력	W	350	420	420	475	475
무부하 속도						
1 단	min <sup>-1</sup>	1100	0-1100	0-1100	0-1100	0-1100
2 단	min <sup>-1</sup>	3000	0-3000	0-3000	0-3000	0-3000
정격 속도						
1 단	min <sup>-1</sup>	740	740	740	1100	1100
2 단	min <sup>-1</sup>	1930	1930	1930	3000	3000
무부하 속도 시 스트로크 수	min <sup>-1</sup>	48000	48000	48000	48000	48000
정격 토크 (1./2. 단)	Nm	4.3/1.7	5.4/2.1	5.4/2.1	4.3/1.7	4.3/1.7
전자식 토크 제어장치 (과위 컨트롤)		-	-	-	-	●
속도 설정		-	●	●	●	●
일정 속도 전자 제어 장치		-	-	-	●	●
역회전 기능		-	●	●	●	●
2 단 스위치		●	●	●	●	●
키 타입 척		●	●	-	-	-
키레스 척		-	-	●	●	●
전자동 스펀들 잠금장치 (Auto-Lock)		-	-	●	●	●
스핀들 칼라 직경	mm	43	43	43	43	43
최대 드릴 -Ø (1./2 단)						
벽돌	mm	22/16	22/16	22/16	22/16	22/16
콘크리트	mm	20/13	20/13	20/13	20/13	20/13
철재	mm	13/8	13/8	13/8	16/8	16/8
목재	mm	40/25	40/25	40/25	40/25	40/25
드릴 척 클램핑 범위	mm	1.5-13	1.5-13	1.5-13	1.5-13	1.5-13
EPTA 공정 01/2003 에 따른 중량	kg	2.5	2.5	2.5	2.6	2.6
안전 등급		□/	□/	□/	□/	□/

자료는 정격 전압 [U] 230/240V 를 기준으로 한 것입니다. 전압이 낮거나 각국의 특수한 모델에 따라 달라질 수 있습니다.

전동공구의 명판에 표시된 제품 번호를 확인하십시오. 각 전동공구의 명칭이 시중에서 상이하게 사용될 수 있습니다.

## 조립

### 보조 손잡이 (그림 A 참조)

반드시 보조 손잡이 12를 장착하여 전동공구를 사용하십시오.

보조 손잡이 12는 안전하고 피로가 적은 자세로 작업할 수 있도록 모든 위치로 움직여 조립할 수 있습니다.

보조 손잡이 12의 아래 쪽을 시계 반대 방향으로 돌리고 보조 손잡이 12를 원하는 위치로 돌립니다. 그리고 나서 보조 손잡이 12의 아래 쪽을 시계 방향으로 다시 돌려 조입니다.

### 천공 깊이를 조절하기 (그림 A 참조)

원하는 천공 깊이 X는 깊이 조절자 13으로 조절할 수 있습니다.

깊이 조절자 조절용 버튼 11을 누르고 깊이 조절자를 보조 손잡이 12안으로 밀어 넣습니다.

드릴 비트의 끝과 깊이 조절자의 끝 부위의 간격이 원하는 천공 깊이 X가 될 때까지 깊이 조절자를 잡아 당깁니다.

깊이 조절자 13에 있는 빨래판 모양의 홈이 항상 위쪽으로 향해 있어야 합니다.

### 비트의 교환

전동공구에 작업하기 전에 반드시 콘센트에서 전원 플러그를 빼십시오.

#### 키레스 척 (그림 B 참조)

전원 스위치 7을 누르지 않은 상태에서는 드릴 스피들이 잠겨 있습니다. 이로 인해 드릴 척에 끼우는 비트를 손쉽게 빨리 간편하게 교환할 수 있습니다.

비트가 끼워질 수 있을 정도까지 키레스 척 1을 돌려서 엽니다. 비트를 끼우십시오.

키레스 척 1의 슬리브를 손으로 꼭 잡고 더 이상 끼워지는 소리가 나지 않을 때까지 헛 시계 방향으로 돌립니다. 이렇게 하면 드릴 척이 자동으로 잠기게 됩니다.

비트를 빼기 위해 슬리브를 반대 방향으로 돌리면 잠금 상태가 다시 해제됩니다.

#### 키 타입 척 (그림 C 참조)

▶ **비트 교환할 때 보호장갑을 착용하십시오.** 장시간 작업을 하면 드릴 척이 과열될 수 있습니다.

키 타입 척 15를 비트가 끼워질 수 있을 정도까지 돌려 열어 준 다음에 비트를 끼웁니다.

척 키 14를 해당하는 키 타입 척 15의 구멍에 끼우고 비트를 일정하게 고정합니다.

#### 스크류 드라이버 비트 (그림 D 참조)

스크류 드라이버 비트 16으로 작업할 때, 반드시 유니버설 비트 홀더 17를 사용해야 합니다. 나사못 머리에 맞는 스크류 드라이버 비트만을 사용하십시오.

스크류작업을 하려면 “드릴/임팩트 드릴작업” 선택 스위치 2가 반드시 “드릴작업” 위치에 있어야 합니다.

### 드릴 척 교환하기

전동공구에 작업하기 전에 반드시 콘센트에서 전원 플러그를 빼십시오.

드릴 스피들 잠금 장치가 없는 전동공구의 경우, 드릴 척 교환은 보쉬 지점 전동공구 서비스 센터에 맡기십시오.

#### 드릴 척 분해하기 (그림 E 참조)

보조 손잡이를 분해하고 기어 선택 스위치 10을 1단과 2단 기어 중간에 놓으십시오.

드릴 스피들을 고정하려면 직경  $\varnothing$  4mm, 길이 약 50mm인 스틸 핀을 스피들 칼라의 구멍에 끼웁니다.

육각 키 18의 짧은 끝을 앞으로 하여 키레스 척 1에 끼웁니다.

전동공구를 작업대와 같이 안정된 표면에 놓으십시오. 전동공구를 꼭 잡고, 육각 키 18을 시계 반대 방향으로 돌려 키레스 척 1을 푼다. 꼭 끼워진 키레스 척은 육각 키 18의 긴 끝 쪽을 가볍게 두드려서 풀어 줍니다. 키레스 척에서 육각 키를 빼고, 기기에서 키레스 척을 완전히 돌려 빼십시오.

#### 드릴 척 조립하기 (그림 F 참조)

키레스 척의 조립은 반대 순서로 하면 됩니다.

드릴 척을 조립한 후에 스틸 핀을 구멍에서 다시 빼십시오.

 **드릴 척은 약 35-40 Nm의 고정 토크로 조여야 합니다.**

## 작동

### 기계 시동

**공공 배전 전압에 주의!** 공급되는 전원의 전압은 전동공구의 명판에 표기된 전압과 동일해야 합니다.

#### 회전방향 설정하기 (그림 G-H 참조)

(GSB 20-2 RE/GSB 20-2 RCE/GSB 20-2 RET)

회전방향 선택 스위치 5는 전동공구가 정지된 상태에서만 사용해야 합니다.

회전방향 선택 스위치 5로 기기의 회전 방향을 선택할 수 있습니다. 그러나 전원 스위치 7이 눌려진 상태에서는 작동이 불가능합니다.

**우회전:** 드릴작업이나 스크류작업을 하기 위해 회전방향 선택 스위치 5의 왼쪽을 아래로 내려가게 밀면, 동시에 오른쪽이 올라오게 됩니다.

**좌회전:** 나사못이나 너트를 느슨하게 하거나 푸는 작업을 하기 위해 회전방향 선택 스위치 5를 왼쪽이 위로 올라가게 밀면, 동시에 오른쪽이 내려가게 됩니다.

**작동 모드 설정하기**



**드릴작업 및 스크류작업**

선택 스위치 **2** 를 “드릴작업” 표시에 맞추십시오.



**임팩트 드릴작업**

선택 스위치 **2** 를 “임팩트 드릴작업” 표시에 맞추십시오.

선택 스위치 **2** 는 걸리는 소리가 확실하며, 기기가 작동 중에도 선택이 가능합니다.

**기계식 기어 선택**

기어 선택 스위치 **10** 은 전동공구가 정지된 상태이거나 작동 중일 때 모두 변환이 가능합니다. 그러나 전부하 상태이거나 최고 속도에서는 사용하지 않습니다.

기어 선택 스위치 **10** 으로 속도를 두 단계 중에서 선택할 수 있습니다.

**I 단계:**



저속 범위; 드릴 직경이 넓은 작업을 하거나 스크류작업을 할 경우.

**II 단계:**



고속 범위; 드릴 직경이 좁은 작업을 할 경우.

기어 선택 스위치 **10** 이 끝까지 움직이지 않으면 드릴 비트로 구동 스피들을 약간 돌려십시오.

**전원 스위치 작동**

전동공구를 작동하려면 전원 스위치 **7** 을 누르고 누른 상태를 유지하십시오.

전원 스위치 **7** 을 누른 상태로 유지하려면, 잠금 버튼 **9** 를 누르십시오.

전동공구의 스위치를 끄려면 전원 스위치 **7** 을 놓거나 잠금 버튼 **9** 로 고정된 경우 전원 스위치 **7** 을 살짝 눌렀다가 다시 놓습니다.

**과부하 클러치**



위험한 반동 토크 제어를 위해 전동공구에 과부하 클러치 장치 (Anti-Rotation) 가 있습니다.

드릴 비트가 끼였거나 박힌 경우 드릴 스피들의 작동이 중단됩니다. 이때 생기는 충격에 대비해서 전동공구를 두 손으로 꼭 잡고 안전한 자세로 작업해야 합니다.

전동공구의 작동이 중단되면 스위치를 끄고 드릴 비트를 풀습니다. 드릴 비트가 꽂힌 상태에서 스위치를 켜면 강한 반동력이 생길 수 있습니다.

**속도 / 타격률 조절하기 (GSB 20-2 RE/GSB 20-2 RCE/ GSB 20-2 RET)**

전원 스위치 **7** 에 가해지는 힘에 따라, 속도 / 타격률을 무단으로 조절할 수 있습니다.

전원 스위치 **7** 을 살짝 누르면 낮은 속도 / 타격률로 작동합니다. 좀 더 세게 누르면 속도 / 타격률이 증가합니다.

**속도 / 타격률 설정하기 (GSB 20-2 RE)**

속도 설정용 선행 **8** 로 원하는 속도 / 타격률을 작동 중에도 선택할 수 있습니다.

필요한 속도 / 타격률은 소재와 작업 조건에 따라 달라지므로 실제 시험을 통해 결정할 수 있습니다.

**전자식 속도 조절 기능 (GSB 20-2 RCE/GSB 20-2 RET)**

전자식 속도 조절용 선행 **3** 으로 작업 중에도 필요한 속도 / 스트로크 수를 결정할 수 있습니다.

필요한 속도 / 타격률은 소재와 작업 조건에 따라 달라지므로 실제 시험을 통해 결정할 수 있습니다.

**일정 속도 전자 제어 장치 (GSB 20-2 RCE/GSB 20-2 RET)**

일정 속도 유지 기능은 선택된 속도와 타격률이 부하 시나 무부하 시에 거의 일정하게 유지하도록 하여 고른 작업 결과를 보장합니다.

**전자 토크 제한장치 / 속도 선택 장치 (파워 컨트롤) (GSB 20-2 RET)**



속도 선택 장치를 사용하여 드릴작업을 하려면 선택 스위치 **4** 를 “드릴 작업” 표시에 맞추십시오. 선행 **3** 으로 작동 중에도 원하는 속도를 선택할 수 있습니다.



토크 제한 장치를 사용하여 스크류작업을 하려면 선택 스위치 **4** 를 “스크류작업” 표시에 맞추십시오. 선행 **3** 으로 작동 중에도 드릴 스피들에 작용하는 토크를 무단으로 조절할 수 있습니다.

I=낮은 토크, III=높은 토크.

최대 속도는 선택된 토크에 따라 자동으로 조절됩니다.

스크류작업을 할 때 선택한 토크에 달하게 되면, 전동공구 스위치가 자동으로 꺼집니다; 드릴 비트가 더 이상 돌아가지 않습니다. 전동공구를 작업물에서 뺀 후에 전원 스위치 **7** 이 아직도 작동 상태이면 안전상의 이유로 아주 낮은 속도로만 계속 작동합니다.

전원 스위치 **7** 을 잠깐 놓았다가 다시 사용할 경우 다음 나사 못도 동일한 토크로 스크류작업을 계속 할 수 있습니다.



토크 제한 장치를 사용하지 않고 스크류작업을 하려면 속도 조절용 선행 **3** 을 오른쪽 끝까지 돌려야 합니다. 이 세팅은 III 위치에 토크가 충분하지 않을 경우 필요합니다.

### 사용방법

**반드시 기기의 스위치가 꺼진 상태에서만 너트 / 스크류에 대십시오.**

#### 참고

낮은 속도로 장기간 연속 작업을 했을 경우, 기기를 약 3 분간 무부하 상태로 최고 속도로 운전한 후 식히십시오.

타일에 드릴작업을 하려면 선택 스위치 2 를 “드릴작업” 표시에 맞춥니다. 타일에 구멍을 완전히 뚫을 때 까지는 스위치를 “임팩트 드릴작업” 표시로 바꾸거나 임팩트작업을 하면 안 됩니다.

콘크리트 석재 벽돌 등에 작업할 때는 경금속 드릴 비트를 사용하십시오.

금속에 드릴작업을 할 때 항상 하자가 없는 날카로운 HSS 드릴 비트 (HSS = 하이 스피드 스틸) 만을 사용하십시오. 보쉬 액세서리 프로그램은 이에 상응하는 품질을 보증합니다.

드릴 비트 연마기 (별도 구매) 로 직경이 2.5-10 mm 인 트위스트 드릴 비트를 쉽게 연마할 수 있습니다.

#### 연질 손잡이

손잡이 면 6 (연질 손잡이) 이 있어 미끄러지는 것을 방지하고 그로 인해 전동공구가 더 손에 잘 맞고 취급이 수월합니다. 동시에 고무 코팅으로 인해 진동 감소 효과도 있습니다.

## 보수 정비 및 서비스

### 보수 정비 및 유지

**전동공구에 작업하기 전에 반드시 콘센트에서 전원 플러그를 빼십시오.**

**안전하고 올바른 작동을 위하여 전동공구와 전동공구의 환기구를 항상 깨끗이 하십시오.**

세심한 제작과 검사에도 불구하고 전동공구가 불량한 경우가 있다면 보쉬 고객 지원본부나 가까운 보쉬 지정 전동공구 서비스 센터에 수리를 의뢰하십시오.

문의 사항이 있거나 스페어 부품을 주문할 때 반드시 전동공구의 타입 표시판에 적힌 10 자리의 제품 번호를 알려 주십시오.

### 서비스

부품에 관련된 분해 도면과 정보는 : [www.bosch-pt.com](http://www.bosch-pt.com) 에서 찾아볼 수 있습니다.

#### 한국로버트보쉬기전주식회사

Robert Bosch Korea Mechanics and Electronics Ltd.

전동공구 사업부

서울시 중구 장충동 1 가 31-7, 봉우빌딩 2 층

서울중앙우체국 사서함 3698

전화 : ..... +82 (0)2 / 22 70-91 40

팩스 : ..... +82 (0)2 / 22 70-90 08

#### 고객지원본부

서울시 성동구 상왕십리 14-19, 오정빌딩 201 호

전화 : ..... +82 (0)2 / 22 70-90 80 / 90 81 / 90 82

팩스 : ..... +82 (0)2 / 22 92-29 85

E-Mail: [Bosch-pt.hotline@kr.bosch.com](mailto:Bosch-pt.hotline@kr.bosch.com)

Internet: [www.bosch.co.kr](http://www.bosch.co.kr)

### 처리

기기와 액세서리 및 포장 등은 환경 친화적인 방법으로 재생할 수 있도록 분류하십시오.

**위 사항은 사전 예고 없이 변경될 수도 있습니다.**

## คำเตือนทั่วไปเพื่อความปลอดภัย ในการใช้เครื่องมือไฟฟ้า

**คำเตือน** ต้องอ่านคำเตือนเพื่อความปลอดภัยและคำสั่งทั้งหมด การไม่ปฏิบัติตามคำเตือนและ

คำสั่งอาจเป็นสาเหตุให้ถูกไฟฟ้าดูด เกิดไฟไหม้ และ/หรือได้รับบาดเจ็บอย่างร้ายแรง  
เก็บรักษาคำเตือนและคำสั่งทั้งหมดสำหรับเปิดอ่านในภายหลัง  
คำว่า "เครื่องมือไฟฟ้า" ในคำเตือนหมายถึง เครื่องมือไฟฟ้าของ  
ท่านที่ทำงานด้วยพลังงานไฟฟ้าที่ต่อจากเต้าเสียบ (มีสายไฟฟ้า)  
และเครื่องมือไฟฟ้าที่ทำงานด้วยพลังงานไฟฟ้าจากแบตเตอรี่ (ไร้สาย)

### 1) ความปลอดภัยในสถานที่ทำงาน

- ก) รักษาสถานที่ทำงานให้สะอาดและมีไฟส่องสว่างดี สถานที่ที่มีมืดหรือทึบรังสีนำมาซึ่งอุบัติเหตุ
- ข) อย่าใช้เครื่องมือไฟฟ้าในสภาพแวดล้อมที่เสี่ยงต่อการติดระเบิดได้ เช่น ในที่ที่มีของเหลว แก๊ส หรือฝุ่นที่ติดไฟได้ เมื่อใช้เครื่องมือไฟฟ้าจะเกิดประกายไฟซึ่งอาจจุดฝุ่นหรือไอให้ลุกเป็นไฟได้
- ค) ขณะใช้เครื่องมือไฟฟ้าทำงาน ต้องกันเด็กและผู้ยืนดูให้ออกห่าง การหันเหความสนใจอาจทำให้ท่านขาดการควบคุมเครื่องได้

### 2) ความปลอดภัยเกี่ยวกับไฟฟ้า

- ก) ปลั๊กของเครื่องมือไฟฟ้าต้องมีขนาดพอดีกับเต้าเสียบ อย่าดัดแปลงหรือแก้ไขตัวปลั๊กอย่างเด็ดขาด อย่าต่อปลั๊กต่อใดๆ เข้ากับเครื่องมือไฟฟ้าที่มีสายดิน ปลั๊กที่ไม่ดัดแปลงและเต้าเสียบที่เข้ากันช่วยลดความเสี่ยงจากการถูกไฟฟ้าดูด
- ข) หลีกเลี่ยงไม่ให้ร่างกายสัมผัสกับพื้นผิวของสิ่งของที่ต่อสายดินไว้ เช่น ท่อ เครื่องทำความร้อน เตา และตู้เย็น จะเสี่ยงอันตรายจากการถูกไฟฟ้าดูดมากขึ้นหากกระแสไฟฟ้าวิ่งผ่านร่างกายของท่านลงดิน
- ค) อย่าวางเครื่องมือไฟฟ้าตากฝนหรือทิ้งไว้ในที่ชื้นและหากนำเข้าไปในเครื่องมือไฟฟ้า จะเพิ่มความเสี่ยงจากการถูกไฟฟ้าดูด
- ง) อย่าใช้สายไฟฟ้าอย่างผิดๆ อย่าถือเครื่องมือไฟฟ้าที่สาย อย่าใช้สายแฉวนเครื่อง หรืออย่าดึงสายไฟฟ้าเพื่อถอดปลั๊กออกจากเต้าเสียบ กันสายไฟฟ้าออกห่างจากความร้อน น้ำมัน ขอบแหลมคม หรือส่วนของเครื่องที่กำลังเคลื่อนไหว สายไฟฟ้าที่ชำรุดหรือพันกันยุ่งเพิ่มความเสี่ยงจากการถูกไฟฟ้าดูด
- จ) เมื่อใช้เครื่องมือไฟฟ้าทำงานกลางแจ้ง ให้ใช้สายไฟต่อที่ได้รับการรับรองให้ใช้ต่อในที่กลางแจ้งเท่านั้น การใช้สายไฟต่อที่เหมาะสมสำหรับงานกลางแจ้งช่วยลดอันตรายจากการถูกไฟฟ้าดูด

ฉ) หากไม่สามารถหลีกเลี่ยงการใช้เครื่องมือไฟฟ้าทำงานในสถานที่เปียกชื้นได้ ให้ใช้สวิทช์ตัดวงจรเมื่อเกิดการรั่วไหลของไฟฟ้าจากสายดินช่วยลดความเสี่ยงต่อการถูกไฟฟ้าดูด

### 3) ความปลอดภัยของบุคคล

- ก) ท่านต้องอยู่ในสภาพเตรียมพร้อม ระมัดระวังในสิ่งที่กำลังทำอยู่ และมีสติขณะใช้เครื่องมือไฟฟ้าทำงาน อย่าใช้เครื่องมือไฟฟ้าขณะที่ท่านกำลังเหนื่อย หรืออยู่ภายใต้การครอบงำของฤทธิ์ของยาเสพติด แอลกอฮอล์ และยา เมื่อใช้เครื่องมือไฟฟ้าทำงาน ในช่วงเวลาที่ท่านขาดความเอาใจใส่อาจทำให้บุคคลบาดเจ็บอย่างรุนแรงได้
- ข) ใช้อุปกรณ์ปกป้องร่างกาย สวมแว่นตาป้องกันเสมอ อุปกรณ์ปกป้อง เช่น หน้ากากกันฝุ่น รองเท้านิรภัย หมวกแข็ง หรือประภทกันเสียงดัง ที่เลือกใช้ตามความเหมาะสมกับสภาพการทำงาน สามารถลดอันตรายต่อบุคคลได้
- ค) ป้องกันการติดเครื่องโดยไม่ตั้งใจ ต้องดูให้แน่ใจว่าสวิทช์อยู่ในตำแหน่งปิดก่อนเสียบปลั๊กไฟเข้าไปในเต้าเสียบ และ/หรือใส่แท่งแบตเตอรี่ ยุกขึ้นหรือถือเครื่องมือ การถือเครื่องโดยใช้นิ้วหัวที่สวิทช์ หรือเสียบปลั๊กไฟขณะที่สวิทช์เปิดอยู่ อาจนำไปสู่อุบัติเหตุที่ร้ายแรงได้
- ง) เอาเครื่องมือปรับแต่งหรือประแจปากตายออกจากเครื่องมือไฟฟ้าก่อนเปิดสวิทช์ เครื่องมือหรือประแจปากตายที่วางอยู่กับส่วนของเครื่องที่กำลังหมุนจะทำให้บุคคลบาดเจ็บได้
- จ) หลีกเลี่ยงการตั้งท่าที่ผิดปกติ ตั้งท่ายืนที่มั่นคงและวางน้ำหนักให้สมดุลตลอดเวลา ในลักษณะนี้ท่านสามารถควบคุมเครื่องมือไฟฟ้าในสถานการณ์ที่ไม่คาดคิดได้ดีกว่า
- ฉ) ใส่เสื้อผ้าที่เหมาะสม อย่าใส่เสื้อผ้าหลวมหรือสวมเครื่องประดับ เข็ม เสื้อผ้า และถุงมือออกห่างส่วนของเครื่องที่กำลังหมุน เสื้อผ้าหลวม เครื่องประดับ และผมยาวอาจเข้าไปติดในส่วนของเครื่องที่กำลังหมุนได้
- ช) หากต้องต่อเครื่องมือไฟฟ้าเข้ากับเครื่องดูดฝุ่นหรือเครื่องเก็บผง ดูให้แน่ใจว่าการเชื่อมต่อและการใช้งานเป็นไปอย่างถูกต้อง การใช้อุปกรณ์ดูดฝุ่นช่วยลดอันตรายที่เกิดจากฝุ่นได้

### 4) การใช้และการดูแลรักษาเครื่องมือไฟฟ้า

- ก) อย่าใช้เครื่องมือไฟฟ้าอย่างหักโหม ใช้เครื่องมือไฟฟ้าที่ถูกต้องตรงตามลักษณะงาน เครื่องมือไฟฟ้าที่ถูกต้องจะทำงานได้ดีกว่าและปลอดภัยกว่าในระดับสมรรถภาพที่ออกแบบไว้

- ข) อย่าใช้เครื่องมือไฟฟ้าที่สวิตช์เปิดปิดเสีย เครื่องมือไฟฟ้าที่ไม่สามารถควบคุมการเปิดปิดด้วยสวิตช์ได้ เป็นเครื่องมือไฟฟ้าที่ไม่ปลอดภัยและต้องซ่อมแซม
- ค) ก่อนปรับแต่งเครื่อง เปลี่ยนอุปกรณ์ประกอบ หรือเก็บเครื่องเข้าที่ ต้องถอดปลั๊กไฟออกจากเต้าเสียบและ/หรือถอดแท่งแบตเตอรี่ออกจากเครื่องมือไฟฟ้า มาตรการป้องกันเพื่อความปลอดภัยนี้ช่วยลดความเสี่ยงจากการตัดเครื่องโดยไม่ตั้งใจ
- ง) เมื่อเลิกใช้งานเครื่องมือไฟฟ้า ให้เก็บเครื่องไว้ในที่ที่เด็กหยิบไม่ถึง และไม่อนุญาตให้บุคคลที่ไม่คุ้นเคยกับเครื่องหรือบุคคลที่ไม่ได้อ่านคำแนะนำนี้ใช้เครื่องมือไฟฟ้าเป็นของอันตรายหากตกอยู่ในมือของผู้ใช้ที่ไม่ได้รับการฝึกฝน
- จ) เอาใจใส่ดูแลรักษาเครื่อง ตรวจสอบส่วนที่เคลื่อนไหวได้ของเครื่องว่าวางอยู่ตรงแนวหรือติดขัดหรือไม่ ตรวจสอบการแตกหักของชิ้นส่วนและสภาพอินไดที่อาจมีผลต่อการทำงานของเครื่องมือไฟฟ้า หากชำรุดต้องส่งเครื่องมือไฟฟ้าซ่อมแซมก่อนใช้งาน อุบัติเหตุหลายอย่างเกิดขึ้นเนื่องจากดูแลรักษาเครื่องไม่ดีพอ
- ฉ) รักษาเครื่องมือตัดให้คมและสะอาด หากบำรุงรักษาเครื่องมือที่มีขอบตัดแหลมคมอย่างถูกต้อง จะสามารถตัดได้โดยไม่ติดขัดและควบคุมได้ง่ายกว่า
- ช) ใช้เครื่องมือไฟฟ้า อุปกรณ์ประกอบ เครื่องมือ และอุปกรณ์อื่น ๆ ให้ตรงตามคำแนะนำนี้ และในลักษณะตามที่เครื่องมือไฟฟ้าประเภทนั้น ๆ กำหนดไว้ โดยต้องคำนึงถึงเงื่อนไขการทำงานและงานที่จะทำด้วยการใช้เครื่องมือไฟฟ้าทำงานที่ต่างไปจากวัตถุประสงค์การใช้งานของเครื่อง อาจนำไปสู่สถานการณ์ที่เป็นอันตรายได้

## 5) การบริการ

- ก) ส่งเครื่องมือไฟฟ้าให้ช่างผู้เชี่ยวชาญตรวจสอบและใช้อะไหล่เปลี่ยนของแท้เท่านั้น ในลักษณะนี้ท่านจะแน่ใจได้ว่าเครื่องมือไฟฟ้าอยู่ในสภาพที่ปลอดภัย

## คำแนะนำเพื่อความปลอดภัย เฉพาะเครื่อง

- ▶ เมื่อใช้เครื่องทำงาน ต้องใช้มือทั้งสองจับเครื่องให้แน่น และตั้งท่ายืนที่มั่นคงเสมอ เครื่องมือไฟฟ้าสามารถเคลื่อนนำได้มั่นคงกว่าเมื่อใช้มือทั้งสองข้างจับ
- ▶ ยึดชิ้นงานให้แน่น การยึดชิ้นงานด้วยเครื่องหนีบหรือแท่นจับจะมั่นคงกว่าการยึดด้วยมือ
- ▶ อย่าเจาะวัสดุที่มีเยื่อหินแอสเบสทอสผสมอยู่ เยื่อหินแอสเบสทอสนับเป็นสารกระตุ้นให้เกิดโรคมะเร็ง
- ▶ ต้องใช้มาตรการป้องกันหากทำงานที่อาจมีฝุ่นละอองที่เป็นอันตรายต่อสุขภาพ สามารถถูกไหม้ หรือเกิดระเบิดได้ ตัวอย่าง: ฝุ่นบางประเภทนับเป็นสารกระตุ้นให้เกิดโรคมะเร็ง ให้สวมหน้ากากกันฝุ่น และทำงานโดยใช้เครื่องดูดฝุ่น/เศษไม้ ออกหากสามารถต่อเข้ากันได้
- ▶ รักษาสถานที่ทำงานให้สะอาด การผสมผสานของวัสดุก่อให้เกิดอันตรายอย่างยิ่ง ฝุ่นที่ได้จากโลหะน้ำหนักเบาอาจถูกไหม้หรือระเบิดได้
- ▶ ก่อนวางเครื่องลงบนพื้นทุกครั้ง ต้องรอให้เครื่องหยุดนิ่งอยู่กับที่เสมอ มิฉะนั้นเครื่องมือที่ใส่อยู่อาจติดขัดและนำไปสู่การสูญเสียการควบคุมเครื่องใช้ไฟฟ้า
- ▶ อย่าใช้เครื่องที่สายไฟฟ้าชำรุด หากสายไฟฟ้าชำรุดขณะทำงาน อย่าสัมผัสสายไฟฟ้าที่ชำรุด ให้ดึงปลั๊กไฟที่หลักออกจากเต้าเสียบ สายไฟฟ้าชำรุดเพิ่มความเสี่ยงจากการถูกไฟฟ้าช็อกหรือดูด
- ▶ ต่อเครื่องที่ใช้งานกลางแจ้งผ่านอุปกรณ์ป้องกันกระแสไฟฟ้าบกพร่อง (RCD)
- ▶ สวมประภทป้องกันเสียงดังเมื่อใช้ส่วนเจาะกระแทกเสียงดังอาจทำให้สูญเสียการได้ยิน
- ▶ ให้ใช้ด้ามจับเพิ่มเติมที่จัดส่งมาพร้อมกับเครื่องเสมอ การขาดการควบคุมอาจทำให้บุคคลได้รับอันตรายบาดเจ็บได้
- ▶ ใช้เครื่องตรวจที่เหมาะสมตรวจสอบหาท่อและสายไฟฟ้าที่อาจซ่อนอยู่ในบริเวณที่จะทำงาน หรือขอความช่วยเหลือจากบริษัทวางท่อและสายไฟฟ้าในท้องถิ่น การสัมผัสกับสายไฟฟ้าอาจทำให้เกิดไฟไหม้หรือถูกไฟฟ้าช็อกหรือดูดได้ การทำให้ท่อแก๊สเสียหายอาจเกิดระเบิดได้ การเจาะเข้าไปในท่อน้ำทำให้ทรัพย์สินเสียหาย
- ▶ เมื่อทำงานในบริเวณที่เครื่องมืออาจเจาะเข้าไปในสายไฟฟ้าที่ซ่อนอยู่หรือเจาะเข้าไปในสายไฟฟ้าหลักของเครื่อง ต้องจับเครื่องมือไฟฟ้าตรงด้ามจับที่หุ้มฉนวนเท่านั้น การสัมผัสกับสายที่มีกระแสไฟฟ้าไหลอยู่จะทำให้ส่วนที่เป็นโลหะของเครื่องเกิดมีกระแสไฟฟ้าด้วย และส่งผลให้ผู้ใช้งานเครื่องถูกไฟฟ้ากระตุกได้



## ลักษณะหน้าที่



**ต้องอ่านคำเตือนเพื่อความปลอดภัยและคำสั่ง**  
**ทั้งหมด การไม่**  
 ปฏิบัติตามคำเตือนและคำสั่ง  
 อาจเป็นสาเหตุให้ถูกไฟฟ้าดูด เกิด  
 ไฟไหม้ และ/หรือได้รับบาดเจ็บอย่างร้ายแรง

ขณะอ่านคู่มือการใช้งานเครื่อง ให้เปิดหน้าที่แสดงภาพประกอบ  
 ของเครื่องและเปิดค้างไว้

### ประโยชน์การใช้งานของเครื่อง

เครื่องนี้ใช้สำหรับเจาะกระแทกในอิฐ คอนกรีต และหิน นอกจากนี้  
 ยังใช้เจาะในไม้ โลหะ และพลาสติก เครื่องที่มีระบบควบคุม  
 อิเล็กทรอนิกส์และการหมุนซ้าย/ขวาสามารถใช้ขันสกรูและตัดเกลียว  
 ได้ด้วย

### ส่วนประกอบผลิตภัณฑ์

ลำดับเลขของส่วนประกอบผลิตภัณฑ์ข้างถึงส่วนประกอบของเครื่อง  
 ที่แสดงในหน้าภาพประกอบ

- 1 หัวจับดอกชนิดจับเร็ว
- 2 สวิตช์ปรับ "เจาะ/เจาะกระแทก"
- 3 ปุ่มตั้งความเร็วรอบล่วงหน้าด้วยระบบอิเล็กทรอนิกส์  
(GSB 20-2 RCE/GSB 20-2 RET)
- 4 สวิตช์ปรับ "เจาะ/ขันสกรู" (GSB 20-2 RET)
- 5 สวิตช์เปลี่ยนทิศทางการหมุน  
(GSB 20-2 RE/GSB 20-2 RCE/GSB 20-2 RET)
- 6 ด้ามจับนึ่ม
- 7 สวิตช์เปิด-ปิด
- 8 ปุ่มตั้งความเร็วรอบล่วงหน้า (GSB 20-2 RE)
- 9 ปุ่มล๊อคสวิตช์เปิด-ปิด
- 10 สวิตช์ตั้งเกียร์
- 11 ปุ่มปรับก้านวัดความลึก
- 12 ด้ามจับเพิ่ม\*
- 13 ก้านวัดความลึก\*
- 14 ประแจหัวจับดอก
- 15 หัวจับดอกชนิดมีเฟืองใน
- 16 ดอกไขควง\*
- 17 ด้ามจับดอกทั่วไป\*
- 18 ประแจขันหกเหลี่ยม\*\*

\*อุปกรณ์ประกอบบางส่วนในภาพประกอบหรือในคำอธิบาย  
 ไม่รวมอยู่ในการจัดส่งพร้อมเครื่องนี้

\*\*หาซื้อได้ทั่วไป (ไม่รวมอยู่ในขอบเขตการจัดส่ง)

## ข้อมูลทางเทคนิค

ส่วนเจาะกระแทก GSB ... PROFESSIONAL		20-2	20-2 RE	20-2 RE	20-2 RCE	20-2 RET
หมายเลขสินค้า	0 601 ...	19B 0..	19B 4..	19B 5..	19B 7..	19B 9..
กำลังไฟฟ้าเข้ากำหนด	วัตต์	750	800	800	1010	1010
กำลังไฟฟ้าออก	วัตต์	350	420	420	475	475
ความเร็วรอบเดินตัวเปล่า						
เกียร์ 1	รอบ/นาที <sup>-1</sup>	1100	0-1100	0-1100	0-1100	0-1100
เกียร์ 2	รอบ/นาที <sup>-1</sup>	3000	0-3000	0-3000	0-3000	0-3000
ความเร็วรอบกำหนด						
เกียร์ 1	รอบ/นาที <sup>-1</sup>	740	740	740	1100	1100
เกียร์ 2	รอบ/นาที <sup>-1</sup>	1930	1930	1930	3000	3000
รอบกระแทกเดินตัวเปล่า	/นาที	48000	48000	48000	48000	48000
อัตรากำลังบิด (เกียร์ 1/2)	Nm	4,3/1,7	5,4/2,1	5,4/2,1	4,3/1,7	4,3/1,7
การควบคุมกำลังบิดด้วยระบบอิเล็กทรอนิกส์		-	-	-	-	●
การตั้งความเร็วรอบล่วงหน้า		-	●	●	●	●
การควบคุมค่าคงที่ด้วยระบบอิเล็กทรอนิกส์		-	-	-	●	●
การหมุนซ้าย/ขวา		-	●	●	●	●
การเปลี่ยนเกียร์สองชั้น		●	●	●	●	●
หัวจับดอกชนิดมีเฟืองใน		●	●	-	-	-
หัวจับดอกชนิดจับเร็ว		-	-	●	●	●
ล็อคแกนด้วยระบบอัตโนมัติทั้งหมด (auto-lock)		-	-	●	●	●
Ø-ปลอกหุ้มเพลลา	มม	43	43	43	43	43
Ø-รูเจาะ สูงสุด (เกียร์ 1/2)						
งานก่ออิฐ	มม	22/16	22/16	22/16	22/16	22/16
คอนกรีต	มม	20/13	20/13	20/13	20/13	20/13
เหล็ก	มม	13/8	13/8	13/8	16/8	16/8
ไม้	มม	40/25	40/25	40/25	40/25	40/25
วงหนีบหัวจับดอก	มม	1,5-13	1,5-13	1,5-13	1,5-13	1,5-13
น้ำหนักตามระเบียบการ-EPTA 01/2003	กก	2,5	2,5	2,5	2,6	2,6
ระดับความปลอดภัย		□/II	□/II	□/II	□/II	□/II

ค่าที่เห็นนี้ใช้กับแรงดันไฟฟ้าระบุ [U] 230/240 โวลต์ ค่าเหล่านี้อาจมีค่าแตกต่างกันเล็กน้อยขึ้นอยู่กับรุ่นของเครื่องของท่าน

เครื่องหมาย ● หมายถึงมีคุณสมบัติพิเศษ

## การประกอบ

## ด้ามจับเพิ่ม (ดูภาพประกอบ A)

## ให้ใช้เครื่องมือไฟฟ้าพร้อมกับด้ามจับเพิ่ม 12 เสมอ

ท่านสามารถจับด้ามจับเพิ่ม 12 หนึ่งไปยังตำแหน่งใดก็ได้ เพื่อจะได้ทำงานที่มั่นคงและเหนียวน้อย

หมุนส่วนล่างของด้ามจับเพิ่ม 12 ไปในทิศทางเข็มนาฬิกา และหันด้ามจับเพิ่ม 12 ไปยังตำแหน่งที่ต้องการ จากนั้นขันด้ามจับเพิ่ม 12 เข้าให้แน่นเหมือนเดิม โดยหมุนไปในทิศทางเข็มนาฬิกา

## การปรับความลึกรูเจาะ (ดูภาพประกอบ A)

ความลึกรูเจาะที่ต้องการ X สามารถตั้งได้ด้วยก้านวัดความลึก 13

กดปุ่มปรับก้านวัดความลึก 11 และสอดก้านวัดความลึกเข้าไปในด้ามจับเพิ่ม 12

ดันก้านวัดความลึกออกมาจนระยะห่างระหว่างปลายดอกสว่านและปลายก้านวัดความลึกเท่ากับความลึกรูเจาะที่ต้องการ X

ต้องหันด้านที่เป็นร่องบนก้านวัดความลึก 13 ขึ้นบน

## การเปลี่ยนเครื่องมือ

### ดึงปลั๊กไฟออกจากเต้าเสียบก่อนปรับแต่งเครื่อง

#### หัวจับดอกชนิดจับเร็ว (ดูภาพประกอบ B)

เมื่อไม่กดสวิทช์เปิด-ปิด 7 แกนสว่านจะถูกล็อกไว้ โดยเหตุนี้จึงสามารถเปลี่ยนเครื่องมือในหัวจับดอกได้ง่าย เร็ว และสะดวก

เปิดหัวจับดอกชนิดจับเร็ว 1 โดยการหมุนจนสามารถใส่เครื่องมือได้ จับเครื่องมือใส่เข้าไป

ใช้มือหมุนปลดออกหัวจับดอกชนิดจับเร็ว 1 ในทิศทางเข็มนาฬิกาเข้า ให้แน่นจนเสียงเข้าล็อก ("คลิก") สิ้นสุด โดยเหตุนี้หัวจับดอกจะถูกล็อกโดยอัตโนมัติ

เมื่อต้องการเอาเครื่องมือออกให้ปลดล็อกอีกครั้ง โดยหมุนปลดไปในทิศทางตรงกันข้าม

#### หัวจับดอกชนิดมีเฟืองใน (ดูภาพประกอบ C)

- ▶ ใส่ถุงมือป้องกันอันตรายเมื่อเปลี่ยนเครื่องมือ หัวจับดอกจะร้อนจัดขึ้นได้เมื่อใช้เครื่องทำงานนานๆ

เปิดหัวจับดอกชนิดมีเฟืองใน 15 โดยการหมุนจนสามารถใส่เครื่องมือได้ จับเครื่องมือใส่เข้าไป

สอดประแจหัวจับดอก 14 เข้าในรูที่ลงรอยกันบนหัวจับดอกชนิดมีเฟืองใน 15 และหนีบเครื่องมือเข้าเสมอกัน

#### เครื่องมือชั้น (ดูภาพประกอบ D)

เมื่อใช้ดอกไขควง 16 ควรใช้ด้ามจับดอกทั่วไป 17 ด้วยเสมอ ต้องใช้ไขควงที่มีขนาดพอดีกับหัวสกรู

เมื่อต้องการขันสกรู ให้สับสวิทช์ปรับ "เจาะ/เจาะทะลุ" 2 ไปที่สัญลักษณ์ "เจาะ" เสมอ

## การเปลี่ยนหัวจับดอก

### ดึงปลั๊กไฟออกจากเต้าเสียบก่อนปรับแต่งเครื่อง

สำหรับเครื่องมือไฟฟ้าที่ไม่มีการล็อกแกน ต้องให้ศูนย์บริการหลังการขายที่ได้รับแต่งตั้งสำหรับเครื่องมือไฟฟ้า บอช เป็นผู้เปลี่ยนหัวจับดอก

#### การถอดหัวจับดอก (ดูภาพประกอบ E)

ถอดด้ามจับเพิ่มและตั้งสวิทช์ตั้งเกียร์ 10 ไว้ในตำแหน่งกลางระหว่างเกียร์ 1 และ เกียร์ 2

ใส่หมุดเหล็กขนาดเส้นผ่าศูนย์กลาง  $\varnothing$  4 มม ความยาวประมาณ 50 มม เข้าในรูบนคอนเพื่อล็อกแกนเครื่อง


ใส่ประแจขันหกเหลี่ยมด้านปลายสั้น 18 เข้าในหัวจับดอกชนิดจับเร็ว 1

วางเครื่องลงบนพื้นที่ยึดแน่น (ต.ย. เช่น ใต้ทำงาน) จับเครื่องให้แน่น และคลายหัวจับดอกชนิดจับเร็ว 1 ออกโดยหมุนประแจขันหกเหลี่ยม 18 ไปในทิศทางเข็มนาฬิกา คลายหัวจับดอกชนิดจับเร็วที่ติดแน่น โดยเคาะที่ประแจขันหกเหลี่ยมด้านปลายยาว 18 เบาๆ เอาประแจขันหกเหลี่ยมออกจากหัวจับดอกชนิดจับเร็ว และขันหัวจับดอกชนิดจับเร็วออกจนสุด

#### การประกอบหัวจับดอก (ดูภาพประกอบ F)

การประกอบหัวจับดอกชนิดจับเร็วเข้า ให้ทำตามลำดับขั้นตอนหลัง

เมื่อประกอบเข้าเสร็จแล้ว ให้เอาหมุดเหล็กออกจากรูบนคอน

 ต้องขันหัวจับดอกเข้าให้แน่นด้วยกำลังบิดการขัน ประมาณ 35–40 Nm

## การปฏิบัติงาน

### เริ่มต้นปฏิบัติงาน

**ให้สังเกตแรงดันไฟฟ้า:** แรงดันไฟฟ้าจากแหล่งจ่ายไฟฟ้าต้องมีค่าตรงกับค่าแรงดันไฟฟ้าที่ระบุไว้บนแผ่นป้ายที่ติดเครื่อง

**การกลับทิศทางการหมุน (ดูภาพประกอบ G-H)**  
(GSB 20-2 RE/GSB 20-2 RCE/GSB 20-2 RET)

**สับสวิทช์เปลี่ยนทิศทางการหมุน 5** เมื่อเครื่องหยุดนิ่งอยู่กับที่เท่านั้น

สวิทช์เปลี่ยนทิศทางการหมุน 5 ใช้สำหรับกลับทิศทางการหมุนของเครื่อง อย่างไรก็ตาม หากกดสวิทช์เปิด-ปิด 7 อยู่ จะกลับทิศทางการหมุนไม่ได้

**การหมุนทางขวา:** สำหรับการเจาะและการขันสกรูเข้า ให้ดันสวิทช์เปลี่ยนทิศทางการหมุน 5 ที่อยู่ทางด้านซ้ายมือลงด้านล่าง และในขณะเดียวกันสวิทช์ที่อยู่ทางด้านขวามือจะเลื่อนขึ้นด้านบน

**การหมุนทางซ้าย:** สำหรับการคลายและการขันสกรูและน็อตออก ให้ดันสวิทช์เปลี่ยนทิศทางการหมุน 5 ที่อยู่ทางด้านซ้ายมือขึ้นด้านบน และในขณะเดียวกันสวิทช์ที่อยู่ทางด้านขวามือจะเลื่อนลงด้านล่าง

### การตั้งวิธีการปฏิบัติงาน



**เจาะ และ ขันสกรู**

สับสวิทช์ปรับ 2 ไปที่สัญลักษณ์ "เจาะ"



**เจาะทะลุ**

สับสวิทช์ปรับ 2 ไปที่สัญลักษณ์ "เจาะทะลุ"

สวิทช์ปรับ 2 จะลกลกอย่างเห็นได้ชัด และสามารถสับขณะเครื่องกำลังเดินอยู่

### การเลือกเกียร์ ระบบกลไก

สับสวิทช์ตั้งเกียร์ 10 ได้ขณะเครื่องหยุดนิ่งอยู่กับที่หรือเมื่อเครื่องกำลังเดินอยู่ อย่างไรก็ตาม ไม่ควรสับเปลี่ยนเกียร์ขณะเครื่องกำลังทำงานเต็มที่หรือเดินด้วยความเร็วสูงสุด

ปุ่มตั้งเกียร์ 10 สามารถตั้งความเร็วรอบล่วงหน้าได้สองขั้น



**เกียร์ I:**  
ความเร็วรอบต่ำ สำหรับการเจาะรูเส้นผ่าศูนย์กลางขนาดกว้าง หรือสำหรับการขันสกรูเข้า



**เกียร์ II:**  
ความเร็วรอบสูง สำหรับการเจาะรูเส้นผ่าศูนย์กลางขนาดเล็ก

หากสับปุ่มตั้งเกียร์ 10 เข้าล็อกได้ไม่เต็มที่ ให้หมุนเพลาลับเบาๆ ด้วยดอกสว่านโดยการบิดหัวสว่าน

### การเปิด-ปิดเครื่อง

เปิดเครื่องทำงานโดยกดสวิทช์เปิด-ปิด 7 และกดค้างไว้

ล็อกสวิทช์เปิด-ปิด 7 ที่กดค้างไว้ โดยกดปุ่มล็อกสวิทช์เปิด-ปิด 9

ปิดเครื่องโดยปล่อยนิ้วจากสวิทช์เปิด-ปิด 7 หรือในกรณีที่ถูกล็อกด้วยปุ่มล็อก 9 อยู่ ให้กดสวิทช์เปิด-ปิด 7 สั้นๆ และปล่อยนิ้ว

### คลัทช์ตัดการทำงานเกินกำลัง



เพื่อจำกัดกำลังบิดสะท้อนที่เป็นอันตราย เครื่องนี้จึงมีคลัทช์นิรภัยประกอบติด (anti-rotation)

หากเครื่องมือที่ใส่อยู่เกิดขัดหรือติดแน่น แรงขับไปยังเพลาสว่านจะสะดุดหยุด เนื่องจากแรงบิดที่เกิดขึ้น ต้องถือเครื่องมือไฟฟ้าให้แน่นด้วยมือทั้งสองข้างและหาที่ยืนที่มั่นคงเสมอ

หากเครื่องมือไฟฟ้าติดขัด ให้ปิดเครื่องและคลายเครื่องมือที่ใส่อยู่ให้เป็นอิสระ ในกรณีที่เปิดเครื่องทำงานโดยมีเครื่องมือเจาะติดขัดอยู่ อาจเกิดกำลังบิดสะท้อนอย่างรุนแรงขึ้นได้

### การปรับความเร็วรอบ/กระแส

(GSB 20-2 RE/GSB 20-2 RCE/GSB 20-2 RET)

อัตราความเร็วรอบ/กระแสสามารถปรับได้หลากหลายขึ้นอยู่กับแรงกดลงบนสวิทช์เปิด-ปิด 7

กดสวิทช์เปิด-ปิด 7 เบาจะได้อัตราความเร็วรอบ/กระแสต่ำ  
กดสวิทช์แรงขึ้นอัตราความเร็วรอบ/กระแสจะเพิ่มขึ้น

### การตั้งความเร็วรอบ/กระแสล่วงหน้า (GSB 20-2 RE)

ความเร็วรอบ/กระแสที่ต้องการสามารถตั้งล่วงหน้าได้ด้วยปุ่มตั้งความเร็วรอบล่วงหน้า 8 และตั้งได้แม้ขณะเครื่องกำลังเดินอยู่

ความเร็วรอบ/กระแสที่ต้องใช้ขึ้นอยู่กับประเภทวัสดุและเงื่อนไขการทำงาน และสามารถกำหนดได้จากกราฟทดลองฝึกปฏิบัติ

### การตั้งความเร็วรอบล่วงหน้าด้วยระบบอิเล็กทรอนิกส์ (GSB 20-2 RCE/GSB 20-2 RET)

ความเร็วรอบ/กระแสที่ต้องการสามารถตั้งล่วงหน้าได้ด้วยปุ่มตั้งความเร็วรอบล่วงหน้าด้วยระบบอิเล็กทรอนิกส์ 3 และตั้งได้แม้ขณะเครื่องกำลังเดินอยู่

ความเร็วรอบ/กระแสที่ต้องใช้ขึ้นอยู่กับประเภทวัสดุและเงื่อนไขการทำงาน และสามารถกำหนดได้จากกราฟทดลองฝึกปฏิบัติ

### การควบคุมค่าคงที่ด้วยระบบอิเล็กทรอนิกส์ (GSB 20-2 RCE/GSB 20-2 RET)

ระบบควบคุมอิเล็กทรอนิกส์นี้จะรักษาความเร็วรอบและอัตรากระแสที่ตั้งไว้ล่วงหน้าระหว่างการเดินเครื่องตัวเปล่าและขณะใช้งานเครื่องให้มีค่าเกือบคงที่

### การจำกัดกำลังบิดด้วยระบบอิเล็กทรอนิกส์/การตั้งความเร็วรอบล่วงหน้า (การควบคุมกำลังบิด) (GSB 20-2 RET)



เจาะโดยตั้งความเร็วรอบล่วงหน้า: สับสวิทช์ปรับ 4 ไปที่สัญลักษณ์ "เจาะ" ตั้งความเร็วรอบที่ต้องการด้วยปุ่ม 3 ตั้งได้แม้ขณะเครื่องกำลังเดินอยู่



ขันสกรูโดยจำกัดกำลังบิด: สับสวิทช์ปรับ 4 ไปที่สัญลักษณ์ "ขันสกรู" กำลังบิดที่เกิดขึ้นจริงบนแกนเครื่องสามารถปรับได้หลากหลายด้วยปุ่ม 3 และปรับได้ขณะเครื่องกำลังทำงานอยู่:

I = กำลังบิดต่ำ, III = กำลังบิดสูง  
ความเร็วรอบสูงสุดจะถูกปรับให้เข้ากับกำลังบิดที่ปรับแล้วโดยอัตโนมัติ

ขณะขันสกรู เมื่อเครื่องทำงานถึงกำลังบิดที่ตั้งไว้ล่วงหน้า เครื่องจะปิดสวิทช์ลง เครื่องมือจะหยุดหมุน หากเครื่องไม่ทำงานแต่นี้อย่างคงกดสวิทช์เปิด-ปิด 7 อยู่ เพื่อความปลอดภัยเครื่องมือจะหมุนต่อไปด้วยความเร็วรอบต่ำมากเท่านั้น  
หลังปล่อยนิ้วจากสวิทช์เปิด-ปิด 7 เพียงเล็กน้อย ท่านสามารถขันสกรูตัวต่อไปได้ด้วยกำลังบิดเท่าเดิม



เมื่อต้องการขันสกรูโดยไม่จำกัดกำลังบิด ให้หมุนปุ่ม 3 ไปทางขวาจนสุด เราจำเป็นต้องตั้งไว้เช่นนี้หากแรงบิดในตำแหน่ง III ไม่เพียงพอ



## ข้อแนะนำในการทำงาน

### จับเครื่องเข้าหาน็อต/สกรูเมื่อเครื่องปิดอยู่เท่านั้น

#### คำแนะนำ

หลังจากใช้เครื่องด้วยความเร็วต่ำเป็นเวลานาน ต้องทำให้เครื่องเย็นลงโดยปล่อยให้เครื่องเดินที่ความเร็วสูงสุดนานประมาณ 3 นาที

เมื่อต้องการเจาะกระเบื้อง ให้สับสวิตช์ปรับ 2 ไปที่สัญลักษณ์ "เจาะ" อย่าสับสวิตช์ไปที่สัญลักษณ์ "เจาะทะลุ" หรือเจาะโดยการกระแทก จนกว่าจะได้เจาะกระเบื้องทะลุแล้ว

เมื่อต้องการเจาะคอนกรีต หิน และกำแพงอิฐ ต้องใช้ดอกสว่านที่ทำจากโลหะแข็ง

ให้ใช้เฉพาะดอกสว่าน HSS (HSS = high-speed steel) ที่สับคมอย่างดีที่สุดสำหรับเจาะโลหะ ดอกสว่านที่เป็นอุปกรณ์ประกอบของแท้ของ บ็อช รับประกันคุณภาพการเจาะ

ดอกสว่านเกลียวบิดขนาดตั้งแต่ 2,5–10 มม สามารถลับได้อย่างง่ายดายด้วยที่ลับดอกสว่าน (อุปกรณ์ประกอบ)

#### ด้ามจับนิ่ม

พื้นผิวจับ (ด้ามจับนิ่ม) 6 ลดอันตรายจากการลื่นไถล และด้วยเหตุนี้จึงทำให้จับถือเครื่องได้มั่นคงขึ้น

ในขณะเดียวกัน เคลือบยางยังช่วยลดการสั่นสะเทือนด้วย

## การบำรุงรักษาและการบริการ

### การบำรุงรักษาและการทำความสะอาด

#### ดึงปลั๊กไฟออกจากเต้าเสียบก่อนปรับแต่งเครื่อง

เพื่อให้ทำงานได้อย่างถูกต้องและปลอดภัย ต้องรักษาเครื่องและช่องระบายอากาศให้สะอาดอยู่เสมอ

เครื่องมือไฟฟ้านี้ผ่านกรรมวิธีการผลิตและตรวจสอบอย่างละเอียดถี่ถ้วนมาแล้ว ถึงกระนั้น หากเครื่องเกิดขัดข้อง ต้องส่งเครื่องให้ศูนย์บริการหลังการขายสำหรับเครื่องมือไฟฟ้า บ็อช ซ่อมแซม

เมื่อต้องการสอบถามและสั่งซื้ออะไหล่ กรุณาแจ้งหมายเลขสินค้า สิบหลักบนแผ่นป้ายรุ่นของเครื่องทุกครั้ง

## การบริการและการให้คำแนะนำลูกค้า

ภาพยนตร์และข้อมูลเกี่ยวกับอะไหล่ กรุณาดูใน [www.bosch-pt.com](http://www.bosch-pt.com)

ในกรณีประกัน ซ่อมแซม หรือซื้อชิ้นส่วนมาเปลี่ยน กรุณาติดต่อผู้ขายที่ได้รับแต่งตั้งเท่านั้น

### ประเทศไทย

#### สำนักงาน

บริษัท โรเบิร์ต บ็อช จำกัด

ชั้น 11 ตึกลิเบอร์ตี สแควร์

287 ถนนสีลม

กรุงเทพฯ 10500

โทรศัพท์ . . . . . +66 (0)2 / 6 31 18 79 – 18 88 (10 หมายเลข)

โทรสาร . . . . . +66 (0)2 / 2 38 47 83

#### ผู้ไปรษณีย์

บริษัท โรเบิร์ต บ็อช จำกัด

แผนกเครื่องมือไฟฟ้า

ตู้ ปณ. 20 54

กรุงเทพฯ 10501

ประเทศไทย

#### ศูนย์บริการซ่อมและฝึกอบรม

ศูนย์บริการซ่อมและฝึกอบรมบ็อช

2869 – 2869/1 ซอยบ้านกล้วย

ถนนพระรามที่ 4 (ใกล้ทางรถไฟสายปากน้ำเก่า)

พระโขนง

กรุงเทพฯ 10110

ประเทศไทย

โทรศัพท์ . . . . . +66 (0)2 / 6 71 78 00 – 4

โทรสาร . . . . . +66 (0)2 / 2 49 42 96

โทรสาร . . . . . +66 (0)2 / 249 5299

### การกำจัดขยะ

เครื่องมือ อุปกรณ์ประกอบ และหีบห่อ ต้องนำไปแยกประเภทวัสดุ เพื่อนำกลับมาใช้ใหม่โดยไม่ทำลายสภาพแวดล้อม

ขอสงวนสิทธิ์ในการเปลี่ยนแปลงโดยไม่ต้องแจ้งล่วงหน้า



## Petunjuk-Petunjuk Umum untuk Perangkat Listrik

**PERHATIKANLAH** Bacalah semua petunjuk-petunjuk untuk keselamatan kerja dan petunjuk-petunjuk untuk penggunaan. Kesalahan dalam menjalankan petunjuk-petunjuk untuk keselamatan kerja dan petunjuk-petunjuk untuk penggunaan dapat mengakibatkan kontak listrik, kebakaran dan/atau luka-luka yang berat.

**Simpanlah semua petunjuk-petunjuk untuk keselamatan kerja dan petunjuk-petunjuk lainnya untuk penggunaan di masa depan.**

Kata „perkakas listrik“ yang disebutkan di dalam petunjuk-petunjuk untuk keselamatan kerja adalah sebutan untuk perangkat listrik pakai listrik jaringan (dengan kabel) dan untuk perangkat listrik pakai aki (tanpa kabel listrik).

### 1) Keselamatan kerja di tempat kerja

- a) **Jagalalah supaya tempat kerja selalu bersih dan terang.** Tempat kerja yang tidak rapi atau tidak terang dapat mengakibatkan terjadinya kecelakaan.
- b) **Janganlah menggunakan perangkat listrik di tempat di mana dapat terjadi ledakan, di mana ada cairan, gas atau debu yang mudah terbakar.** Perangkat listrik dapat memancarkan bunga api yang lalu mengakibatkan debu atau uap terbakar.
- c) **Selama menggunakan perangkat listrik, jauhkan anak-anak dan orang-orang lain dari tempat kerja.** Jika konsentrasi terganggu, bisa jadi Anda tidak bisa mengendalikan perangkat listrik tersebut.

### 2) Keamanan listrik

- a) **Steker dari perangkat listrik harus cocok pada stopkontak. Janganlah sekali-kali merubah steker. Janganlah menggunakan steker perantara bersama dengan perangkat listrik yang mempunyai hubungan arde.** Steker yang tidak dirubah dan stopkontak yang cocok mengurangi bahaya terjadinya kontak listrik.
- b) **Jagalalah supaya badan Anda tidak bersentuhan dengan permukaan yang mempunyai hubungan arde, misalnya pipa-pipa, radiator pemanas ruangan, kompor listrik dan lemari es.** Ada risiko besar terjadi kontak listrik, jika badan Anda mempunyai hubungan arde.
- c) **Jagalalah supaya perangkat listrik tidak kena hujan atau menjadi basah.** Air yang masuk ke dalam perangkat listrik menambah risiko terjadinya kontak listrik.

d) **Janganlah menyalah gunakan kabel listrik untuk mengangkat dan menggantungkan perangkat listrik atau untuk menarik steker dari stopkontak. Jagalah supaya kabel listrik tidak kena panas, minyak, pinggiran yang tajam atau bagian-bagian perangkat yang bergerak.** Kabel listrik yang rusak atau tersangkut menambah risiko terjadinya kontak listrik.

e) **Jika Anda menggunakan perangkat listrik di luar gedung, gunakanlah hanya kabel sambungan yang juga cocok untuk pemakaian di luar gedung.** Penggunaan kabel sambungan yang cocok untuk pemakaian di luar gedung mengurangi risiko terjadinya kontak listrik.

f) **Jika penggunaan perangkat listrik di tempat yang basah tidak bisa dihindarkan, gunakanlah sakelar pengaman terhadap arus penyimpangan.** Penggunaan sakelar pengaman terhadap arus penyimpangan mengurangi risiko terjadinya kontak listrik.

### 3) Keselamatan kerja

- a) **Berhati-hatilah selalu, perhatikanlah apa yang Anda kerjakan dan bekerjalah dengan seksama jika menggunakan perangkat listrik. Janganlah menggunakan perangkat listrik, jika Anda capai atau berada di bawah pengaruh narkoba, minuman keras atau obat.** Jika Anda sekejap mata saja tidak berhati-hati sewaktu menggunakan perangkat listrik, dapat terjadi luka-luka berat.
- b) **Pakailah pakaian dan sarana pelindung dan pakailah selalu kaca mata pelindung.** Dengan memakai pakaian dan sarana pelindung, misalnya kedok anti debu, sepatu tertutup yang tidak licin, helmet pelindung atau pemalut telinga sesuai dengan pekerjaan yang dilakukan dengan perangkat listrik, bahaya terjadinya luka-luka dapat dikurangi.
- c) **Jagalalah supaya perangkat listrik tidak dihidupkan secara tidak disengaja. Perhatikan bahwa perangkat listrik dalam penyetelan mati, jika steker disambungkan pada pengadaan listrik dan/atau aki, jika perangkat listrik diangkat atau dibawa.** Jika selama mengangkat perangkat listrik jari Anda berada pada tombol untuk menghidupkan dan mematikan atau perangkat listrik yang dalam penyetelan hidup disambungkan pada listrik, dapat terjadi kecelakaan.
- d) **Lepaskan semua perangkat-perangkat penyetelan atau kunci-kunci pas sebelum perangkat listrik dihidupkan.** Perangkat atau kunci yang berada di dalam bagian yang berputar dapat mengakibatkan terjadinya luka-luka.

- e) **Aturkan badan sedemikian sehingga Anda bisa bekerja dengan aman. Berdirilah secara mantap dan jagalah selalu keseimbangan.** Dengan demikian Anda bisa mengendalikan perkakas listrik dengan lebih baik, jika terjadi sesuatu dengan tiba-tiba.
- f) **Pakailah pakaian yang cocok. Janganlah memakai pakaian yang longgar atau perhiasan. Jagalah supaya rambut, pakaian dan sarung tangan tidak masuk dalam bagian-bagian perkakas yang bergerak.** Pakaian yang longgar, rambut panjang atau perhiasan dapat tersangkut dalam bagian perkakas yang bergerak.
- g) **Jika ada kemungkinan untuk pemasangan sarana penghisapan dan penampungan debu, perhatikan bahwa sarana-sarana ini telah dipasangkan dan digunakan dengan betul.** Penggunaan sarana penghisapan bisa mengurangi bahaya yang disebabkan debu.
- 4) **Penggunaan dan penanganan perkakas listrik dengan seksama**
- a) **Janganlah membebankan perkakas listrik terlalu berat. Gunakan selalu perkakas listrik yang cocok untuk pekerjaan yang dilakukan.** Dengan perkakas listrik yang cocok Anda bekerja lebih baik dan lebih aman dalam batas-batas kemampuan yang ditentukan.
- b) **Janganlah menggunakan perkakas listrik yang tombolnya rusak.** Perkakas listrik yang tidak bisa dihidupkan atau dimatikan, berbahaya dan harus direparasikan.
- c) **Tariklah steker dari stopkontak dan/atau keluarkan aki, sebelum Anda melakukan penyetulan pada perkakas listrik, mengganti alat-alat kerja atau sebelum menyimpan perkakas listrik.** Tindakan keselamatan kerja ini mengurangi bahaya perkakas listrik hidup secara tidak disengaja.
- d) **Simpanlah perkakas listrik yang tidak digunakan di luar jangkauan anak-anak. Janganlah mengizinkan orang-orang yang tidak mengenal perkakas listrik ini atau yang belum membaca petunjuk-petunjuk ini, menggunakan perkakas listrik ini.** Perkakas listrik bisa menjadi berbahaya, jika digunakan oleh orang-orang yang tidak mengenalnya.
- e) **Rawatlah perkakas listrik dengan seksama. Periksalah, apakah bagian-bagian perkakas listrik yang bergerak berfungsi dengan baik dan tidak tersangkut, apakah ada bagian-bagian yang patah atau rusak sedemikian, sehingga dapat mempengaruhi jalannya perkakas listrik. Biarkan bagian-bagian perkakas yang rusak direparasikan, sebelum Anda mulai menggunakan perkakas listrik.** Banyak kecelakaan terjadi karena perkakas listrik tidak dirawat dengan seksama.
- f) **Perhatikan supaya alat-alat pemotong selalu tajam dan bersih.** Alat-alat pemotong dengan mata-mata pemotong yang tajam dan dirawat dengan seksama tidak mudah tersangkut dan lebih mudah dikendalikan.
- g) **Gunakanlah semua perkakas listrik, aksesoris, alat-alat kerja dsb. sesuai dengan petunjuk-petunjuk. Perhatikan syarat-syarat kerja dan macam pekerjaan yang dilakukan.** Penggunaan perkakas listrik untuk macam pekerjaan yang tidak cocok dengan kegunaannya bisa mengakibatkan keadaan yang berbahaya.
- 5) **Servis**
- a) **Biarkan perkakas listrik Anda direparasikan hanya oleh orang-orang ahli yang berpengalaman dan hanya dengan menggunakan suku cadang yang asli.** Dengan demikian terjamin keselamatan kerja dengan perkakas listrik ini secara sinambung.

## Petunjuk-petunjuk khusus untuk perkakas-perkakas tertentu

- ▶ **Selama digunakan, peganglah perkakas listrik dengan kedua belah tangan dan perhatikanlah supaya Anda berdiri secara teguh.** Perkakas listrik bisa dikendalikan lebih baik jika dipegang dengan kedua belah tangan.
- ▶ **Usahakan supaya benda yang dikerjakan tidak goyang.** Benda yang ditahan dalam alat pemegang atau bais lebih mantap daripada benda yang dipegang dengan tangan.
- ▶ **Janganlah mengerjakan bahan-bahan yang mengandung asbestos.** Asbes dianggap bisa mengakibatkan penyakit kanker.
- ▶ **Lakukanlah tindakan-tindakan untuk keselamatan kerja, jika selama penggunaan perkakas bisa terjadi debu-debu yang berbahaya bagi kesehatan, mudah terbakar atau mudah meledak.** Misalnya: ada debu yang dianggap dapat mengakibatkan penyakit kanker. Pakailah kedok anti debu dan jika mungkin, sambungkan satu penghisap debu/serbuk.
- ▶ **Jagalah supaya tempat di mana Anda bekerja selalu bersih.** Campuran bahan-bahan sangat membahayakan. Debu logam ringan bisa terbakar atau meledak.

- ▶ **Sebelum meletakkan perkakas listrik, tunggulah sampai perkakas berhenti memutar.** Alat kerja bisa tersangkut dan membuat perkakas listrik tidak bisa dikendalikan.
- ▶ **Janganlah menggunakan perkakas listrik, jika kabelnya rusak. Janganlah menyentuh kabel yang rusak dan tariklah steker dari stopkontak, jika kabel menjadi rusak selama penggunaan perkakas listrik.** Kabel yang rusak membuat risiko terjadinya kontak listrik menjadi lebih besar.
- ▶ **Sambungkanlah perkakas-perkakas listrik yang digunakan di luar gedung pada sakelar pelindung terhadap arus penyimpangan (FI).**
- ▶ **Pakailah pemalut telinga jika menggunakan mesin bor getaran.** Jika Anda mendengar suara bising, daya pendengaran bisa berkurang.
- ▶ **Gunakanlah gagang tambahan-gagang tambahan yang dipasok bersama perkakas listrik.** Perkakas listrik yang tidak bisa dikendalikan bisa mengakibatkan terjadinya luka-luka.
- ▶ **Gunakanlah alat detektor logam yang cocok untuk mencari kabel dan pipa pengadaaan yang tidak terlihat, atau hubungi perusahaan pengadaaan setempat.** Sentuhan dengan kabel-kabel listrik bisa mengakibatkan api dan kontak listrik. Pipa gas yang dirusak bisa mengakibatkan ledakan. Pipa air yang dirusak mengakibatkan barang-barang menjadi rusak.
- ▶ **Peganglah perkakas listrik hanya pada pegangan yang terisolir, jika Anda melakukan pekerjaan di mana alat kerjanya bisa terkena pada saluran listrik yang tidak terlihat atau kabelnya sendiri.** Sentuhan pada kabel yang bertegangan dapat mengakibatkan bagian-bagian logam dari perkakas listrik juga bertegangan dan lalu mengakibatkan kontak listrik.

## Penjelasan tentang cara berfungsi



**Bacalah semua petunjuk-petunjuk untuk keselamatan kerja dan petunjuk-petunjuk untuk penggunaan.** Kesalahan dalam menjalankan petunjuk-petunjuk untuk keselamatan kerja dan petunjuk-petunjuk

untuk penggunaan dapat mengakibatkan kontak listrik, kebakaran dan/atau luka-luka yang berat.

Bukalah halaman lipatan dengan gambar dari perkakas dan biarkan halaman ini terbuka selama Anda membaca petunjuk-petunjuk untuk penggunaan.

## Penggunaan perkakas listrik

Mesin ini cocok untuk membor dengan getaran pada batu bata, beton dan batu-batuan serta untuk membor tanpa getaran pada kayu, logam, keramik dan bahan sintetik. Mesin-mesin dengan pengendalian secara elektronika dan arah putaran ke kanan/kiri juga cocok untuk menyekrup dan mentap.

## Bagian-bagian pada gambar

Nomor-nomor dari bagian-bagian perkakas pada gambar sesuai dengan gambar perkakas listrik pada halaman bergambar.

- 1 Cekaman mata bor yang dikunci dan dibuka dengan tangan
- 2 Sakelar untuk menyatel „tanpa getaran/dengan getaran“
- 3 Roda untuk penyetelan pendahuluan kecepatan putaran secara elektronika (GSB 20-2 RCE/ GSB 20-2 RET)
- 4 Sakelar untuk menyatel „membor/menyekrup“ (GSB 20-2 RET)
- 5 Omsakelar arah putaran (GSB 20-2 RE/ GSB 20-2 RCE/GSB 20-2 RET)
- 6 Gagang lembut
- 7 Tombol untuk menghidupkan dan mematikan mesin
- 8 Roda untuk penyetelan pendahuluan kecepatan putaran (GSB 20-2 RE)
- 9 Tombol pengunci untuk tombol untuk menghidupkan dan mematikan mesin
- 10 Sakelar untuk memilih tingkatan putaran
- 11 Tombol untuk mengganti penyetelan pembatas kedalaman lubang
- 12 Gagang tambahan\*
- 13 Pembatas kedalaman lubang\*
- 14 Kunci cekaman mata bor
- 15 Cekaman mata bor pakai kunci bergigi
- 16 Mata obeng bit\*
- 17 Pemegang mata obeng bit\*
- 18 Kunci mur dalam\*\*

\*Aksesori yang ada dalam gambar atau yang diterangkan kadang-kadang tidak termasuk dalam perkakas listrik yang dipasok.

\*\*dijual secara umum (tidak termasuk perkakas listrik yang dipasok)



**Data teknis**

<b>Mesin bor getaran GSB ... PROFESSIONAL</b>		<b>20-2</b>	<b>20-2 RE</b>	<b>20-2 RE</b>	<b>20-2 RCE</b>	<b>20-2 RET</b>
Nomor model	0 601 ...	19B 0..	19B 4..	19B 5..	19B 7..	19B 9..
Masukan nominal	W	750	800	800	1010	1010
Daya	W	350	420	420	475	475
Kecepatan putaran tanpa beban						
Tingkatan putaran ke 1	min <sup>-1</sup>	1 100	0-1 100	0-1 100	0-1 100	0-1 100
Tingkatan putaran ke 2	min <sup>-1</sup>	3 000	0-3 000	0-3 000	0-3 000	0-3 000
Kecepatan putaran nominal						
Tingkatan putaran ke 1	min <sup>-1</sup>	740	740	740	1 100	1 100
Tingkatan putaran ke 2	min <sup>-1</sup>	1 930	1 930	1 930	3 000	3 000
Banyaknya getaran pada kecepatan putaran tanpa beban	min <sup>-1</sup>	48 000	48 000	48 000	48 000	48 000
Momen putar nominal (tingkatan putaran 1/2)	Nm	4,3/1,7	5,4/2,1	5,4/2,1	4,3/1,7	4,3/1,7
Pembatasan momen putar secara elektronika (Torque Control)		-	-	-	-	●
Penyetelan pendahuluan kecepatan putaran		-	●	●	●	●
Elektronika penetap putaran		-	-	-	●	●
Putaran ke kanan/kiri		-	●	●	●	●
Putaran dua tingkatan		●	●	●	●	●
Cekaman mata bor pakai kunci bergigi		●	●	-	-	-
Cekaman mata bor yang dikunci dan dibuka dengan tangan		-	-	●	●	●
Penguncian poros otomatis (Auto-Lock)		-	-	●	●	●
Leher poros Ø	mm	43	43	43	43	43
Ø mata bor maks. (Tingkatan putaran 1/2 )						
Tembok	mm	22/16	22/16	22/16	22/16	22/16
Beton	mm	20/13	20/13	20/13	20/13	20/13
Baja	mm	13/8	13/8	13/8	16/8	16/8
Kayu	mm	40/25	40/25	40/25	40/25	40/25
Kepala cekam yang bisa memegang mata bor	mm	1,5-13	1,5-13	1,5-13	1,5-13	1,5-13
Berat sesuai dengan EPTA-Procedure 01/2003	kg	2,5	2,5	2,5	2,6	2,6
Klasifikasi keamanan		□/II	□/II	□/II	□/II	□/II

Data-data berlaku untuk tegangan nominal [U] 230/240 V. Pada tegangan yang lebih rendah dan pada model khusus mancanegara data-data ini bisa berlainan.

Perhatikanlah nomor model perkakas listrik Anda yang tercantum pada label tipe mesin. Nama dagang dari beberapa perkakas listrik bisa berbeda.

## Cara memasang

### Gagang tambahan (lihat gambar A)

#### Gunakanlah perkakas listrik hanya dengan gagang tambahan 12.

Anda bisa memutar gagang tambahan **12** ke kedudukan yang cocok dengan macam pekerjaan, supaya posisi kerja mantap dan tidak begitu melelahkan.

Putarkan pegangan bagian bawah dari gagang tambahan **12** dalam arah yang berlawanan dengan jalannya jarum jam dan putarkan gagang tambahan **12** ke kedudukan yang dikehendaki. Setelah itu pegangan bagian bawah dari gagang tambahan **12** dikencangkan dengan cara memutarannya dalam arah jalannya jarum jam.

#### Menyetel kedalaman pemboran (lihat gambar A)

Dengan pembatas kedalaman lubang **13** kedalaman pemboran **X** bisa disetelkan.

Tekan tombol untuk mengganti penyetelan pembatas kedalaman lubang **11** dan pasang pembatas kedalaman lubang pada gagang tambahan **12**.

Tarik pembatas kedalaman lubang sedemikian, sampai jarak antara pucuk mata bor dan pucuk pembatas kedalaman lubang adalah kedalaman pemboran **X** yang dikehendaki.

Permukaan yang bergerigi pada pembatas kedalaman lubang **13** harus menghadap ke atas.

### Mengganti alat kerja

#### Sebelum mulai dengan pekerjaan pada perkakas listrik, tariklah steker dari stopkontak.

#### Cekaman mata bor yang dikunci dan dibuka dengan tangan (lihat gambar B)

Jika tombol untuk menghidupkan dan mematikan mesin **7** tidak ditekan, poros mesin terkunci. Hal ini memungkinkan penggantian alat-alat kerja di cekaman mata bor secara cepat, nyaman dan mudah.

Buka cekaman mata bor yang dikunci dan dibuka dengan tangan **1** dengan cara memutarannya hingga alat kerja bisa dipasangkan. Masukkan alat kerja.

Putarkan selubung dari cekaman mata bor yang dikunci dan dibuka dengan tangan **1** secara keras dengan tangan dalam arah jalannya jarum jam, sampai tidak terdengar lagi bunyi ceklek. Dengan demikian cekaman mata bor terkunci secara otomatis.

Penguncian terbuka lagi, jika untuk mengeluarkan alat kerja Anda memutar selubung dalam arah yang berlawanan.

#### Cekaman mata bor pakai kunci bergigi (lihat gambar C)

- **Pakailah sarung tangan pelindung pada waktu mengganti alat kerja.** Cekaman mata bor bisa menjadi sangat panas jika digunakan untuk waktu yang lama.

Bukakan cekaman mata bor pakai kunci bergigi **15** dengan cara memutarannya, sampai alat kerja bisa dipasangkan. Pasangkan alat kerja.

Masukkan kunci cekaman mata bor **14** ke dalam lubang-lubang dari cekaman mata bor pakai kunci bergigi **15** dan kencangkan alat kerja secara rata.

#### Alat kerja untuk menyekrup (lihat gambar D)

Jika digunakan mata obeng bit **16**, gunakan selalu pemegang mata obeng bit **17**. Gunakanlah hanya mata obeng bit yang cocok pada kepala sekrup.

Untuk menyekrup, sakelar untuk menyetel „tanpa getaran/dengan getaran“ **2** selalu harus disetelkan pada simbol „membor (tanpa getaran)“.

### Mengganti cekaman mata bor

#### Sebelum mulai dengan pekerjaan pada perkakas listrik, tariklah steker dari stopkontak.

#### Pada perkakas listrik tanpa penguncian poros, cekaman mata bor harus digantikan oleh satu Service Center untuk perkakas listrik dari Bosch yang resmi.

#### Melepaskan cekaman mata bor (lihat gambar E)

Lepaskan gagang tambahan dan setelkan sakelar untuk memilih tingkatan putaran **10** pada posisi tengah antara tingkatan putaran ke 1 dan ke 2.

Masukkan satu pin dari baja dengan diameter 4 mm dan panjang kira-kira 50 mm ke dalam lubang pada leher poros untuk mengunci cekaman mata bor.

Pasangkan gagang pendek dari satu kunci mur dalam **18** ke dalam cekaman mata bor yang dikunci dan dibuka dengan tangan **1**.

Letakkan perkakas listrik pada alas yang kokoh, misalnya pada meja kerja. Tahankan perkakas listrik, dan lepaskan cekaman mata bor yang dikunci dan dibuka dengan tangan **1** dengan cara memutar kunci mur dalam **18** dalam arah yang berlawanan dengan jalannya jarum jam. Cekaman mata bor yang dibuka dan dikunci dengan tangan yang terlalu kencang duduknya, dilepaskan dengan cara memukul gagang panjang dari kunci mur dalam **18** secara ringan saja. Keluarkan kunci mur dalam dari cekaman mata bor yang dikunci dan dibuka dengan tangan dan putarkan cekaman mata bor yang dikunci dan dibuka dengan tangan sampai lepas sama sekali.

**Memasang cekaman mata bor (lihat gambar F)**

Cara memasang cekaman mata bor yang dikunci dan dibuka dengan tangan adalah dalam urutan terbalik dari cara melepaskannya.

**Setelah cekaman mata bor terpasang, keluarkan pin baja dari lubang.**



**Cekaman mata bor harus dikencangkan dengan momen kunci baut sebesar kira-kira 35–40 Nm.**

**Penggunaan****Cara penggunaan**

**Perhatikan tegangan jaringan listrik!** Tegangan jaringan listrik harus sesuai dengan tegangan listrik yang tercantum pada label tipe perkakas listrik.

**Menyetel arah putaran (lihat gambar-gambar G–H) (GSB 20-2 RE/GSB 20-2 RCE/GSB 20-2 RET)**

**Omsakelar arah putaran 5 hanya boleh digerakkan selama perkakas listrik tidak berjalan.**

Dengan omsakelar arah putaran **5** Anda bisa merubah arah putaran dari perkakas listrik. Akan tetapi ini tidak mungkin jika tombol untuk menghidupkan dan mematikan mesin **7** sedang ditekan.

**Putaran ke kanan:** Untuk membor dan memutar masuk sekrup, dorongkan omsakelar arah putaran **5** di sebelah kiri ke bawah dan pada waktu yang sama yang di sebelah kanan ke atas.

**Putaran ke kiri:** Untuk melepaskan atau memutar ke luar sekrup dan mur, dorongkan omsakelar arah putaran **5** di sebelah kiri ke atas dan pada waktu yang sama yang di sebelah kanan ke bawah.

**Menyetel macam pekerjaan****Membor dan menyekrup**

Setelkan sakelar untuk menyetel „tanpa getaran/dengan getaran“ **2** pada simbol „membor tanpa getaran“.

**Membor dengan getaran**

Setelkan sakelar untuk menyetel „tanpa getaran/dengan getaran“ **2** pada simbol „membor dengan getaran“.

Sakelar untuk menyetel „tanpa getaran/dengan getaran“ **2** terasa mengancing dan bisa digerakkan juga selama motor perkakas listrik sedang hidup.

**Memilih tingkatan putaran secara mekanis**

Sakelar untuk memilih tingkatan putaran **10** bisa digerakkan selama perkakas listrik sedang berhenti atau sedang berjalan. Akan tetapi jangan melakukannya jika perkakas listrik sedang dibebankan penuh atau pada kecepatan putaran maksimal.

Dengan sakelar **10** bisa disetelkan 2 bidang tingkatan putaran sebelumnya.

**Gigi ke I:**

Bidang kecepatan putaran rendah; untuk pekerjaan dengan diameter mata bor yang besar atau menyekrup.

**Gigi ke II:**

Bidang kecepatan putaran tinggi; untuk pekerjaan dengan diameter mata bor yang kecil.

Jika sakelar untuk memilih tingkatan putaran **10** tidak bisa diputar sampai batas, putarkan sedikit sumbu penggerak dengan mata bor.

**Menghidupkan/mematikan perkakas listrik**

Untuk **menghidupkan**, tekan tombol untuk menghidupkan dan mematikan **7** dan tahan tekanan.

Untuk **mengunci** tombol untuk menghidupkan dan mematikan **7** yang tertekan, tekan tombol pengunci **9**.

Untuk **mematikan**, lepaskan tombol untuk menghidupkan dan mematikan **7** atau jika dikunci dengan tombol pengunci **9**, tekan sebentar tombol **7** dan lepaskan.

**Kopling pengaman**

Untuk membatasi terjadinya momen reaksi-momen reaksi yang berbahaya, perkakas listrik dilengkapi dengan kopling pengaman (Anti-Rotation).

Jika alat kerja terjepit atau tersangkut, maka daya penggerak ke sumbu utama terhenti. **Peganglah perkakas listrik selalu dengan kedua belah tangan dan berdirilah secara mantap, berhubung dalam hal demikian terjadi momen yang besar.**

**Matikan perkakas listrik dan lepaskan alat kerja, jika perkakas listrik memblok.** Jika perkakas listrik dengan mata bor yang memblok dihidupkan, terjadi momen reaksi yang tinggi.

### Menyetel kecepatan putaran/banyaknya getaran (GSB 20-2 RE/GSB 20-2 RCE/GSB 20-2 RET)

Kecepatan putaran/banyaknya getaran bisa disetelkan tanpa tingkatan dengan cara menambah atau mengurangi tekanan pada tombol untuk menghidupkan dan mematikan **7**.

Tekanan yang ringan pada tombol untuk menghidupkan dan mematikan **7** mengakibatkan kecepatan putaran yang rendah/banyaknya getaran yang sedikit. Jika tekanan ditambah, kecepatan putaran/banyaknya getaran bertambah pula.

### Penyetelan pendahuluan kecepatan putaran/banyaknya getaran (GSB 20-2 RE)

Dengan roda untuk penyetelan pendahuluan kecepatan putaran **8**, Anda bisa menyetelkan kecepatan putaran/banyaknya getaran yang dibutuhkan, juga selama perkakas listrik sedang berputar.

Kecepatan putaran/banyaknya getaran yang dibutuhkan tergantung dari bahan yang dikerjakan dan macam pekerjaan dan bisa didapatkan dengan melakukan uji coba sebelumnya.

### Penyetelan pendahuluan kecepatan putaran secara elektronika (GSB 20-2 RCE/GSB 20-2 RET)

Dengan roda untuk penyetelan pendahuluan kecepatan putaran secara elektronika **3** bisa disetelkan kecepatan putaran/banyaknya getaran yang dibutuhkan, juga selama perkakas listrik sedang berjalan.

Kecepatan putaran/banyaknya getaran yang dibutuhkan tergantung dari bahan yang dikerjakan dan macam pekerjaan dan bisa didapatkan dengan melakukan uji coba sebelumnya.

### Elektronika penyetel putaran (GSB 20-2 RCE/GSB 20-2 RET)

Elektronika penyetel putaran membuat kecepatan putaran dan banyaknya getaran yang disetelkan sebelumnya antara putaran tanpa beban dan di bawah beban hampir konstan.

### Pembatasan momen putar/penyetelan pendahuluan kecepatan putaran secara elektronika (Torque Control) (GSB 20-2 RET)



Untuk **membor dengan kecepatan putaran yang disetelkan sebelumnya**, setelkan sakelar **4** pada simbol „membor“. Dengan roda **3** bisa disetelkan sebelumnya kecepatan putaran yang dibutuhkan, juga selama perkakas listrik sedang berjalan.



Untuk **menyekrup dengan pembatasan momen putar**, setelkan sakelar **4** pada simbol „menyekrup“. Dengan roda **3** momen putar yang berpengaruh pada poros mesin bisa disetelkan tanpa tingkatan selama pekerjaannya:

**I**=momen putar rendah, **III**=momen putar tinggi. Kecepatan putaran maksimal disesuaikan secara otomatis pada momen putar yang disetelkan.

Jika selama penyekrupan, momen putar yang disetelkan sebelumnya sudah tercapai, perkakas listrik berhenti; alat kerja tidak memutar lagi. Jika perkakas listrik setelah itu tidak dibebani dan tombol untuk menghidupkan dan mematikan mesin **7** masih ditekan, alat kerja berdasarkan alasan keselamatan kerja berputar pada kecepatan putaran yang sangat rendah. Setelah tekanan pada tombol untuk menghidupkan dan mematikan mesin **7** dilepaskan sebentar, sekrap berikutnya bisa dikendalikan dengan momen putar yang sama.



Untuk **menyekrup tanpa pembatasan momen putar**, putarkan roda **3** ke kanan sampai batas. Penyetelan ini perlu jika momen putar pada posisi **III** tidak cukup.

## Petunjuk-petunjuk untuk pemakaian

**Perkakas listrik hanya boleh dipasang pada mur/baut jika dalam keadaan mati.**

### Tips

Setelah perkakas listrik digunakan untuk waktu yang lama dengan kecepatan putaran yang rendah, perkakas listrik didinginkan dengan cara membiarkan perkakas listrik berputar tanpa beban pada kecepatan putaran maksimum kira-kira selama 3 menit.

Untuk membor batu ubin/tegel, setelkan sakelar **2** pada simbol „membor“ (tanpa getaran). Baru setelah ubin tembus, sakelar disetelkan pada simbol „membor dengan getaran“ dan lanjutkan pekerjaan dengan getaran.

Jika mengerjakan beton, batu-batuan dan tembok, pakailah mata bor baja intan.

Untuk pemboran dalam logam, gunakanlah hanya mata bor HSS (HSS = High Speed Steel, baja cepat) yang mulus dan telah diasah. Mutu ini dipenuhi oleh program aksesoris dari Bosch.

Dengan alat pengasah mata bor (aksesori), Anda bisa mengasah mata bor spiral dengan garis tengah 2,5–10 mm tanpa kesulitan.

### Gagang lembut

Permukaan gagang lembut **6** (Softgrip) membuat supaya pegangan lebih mantap dan dengan demikian meningkatkan kecekatan dalam pemakaian perkakas listrik ini.

Selain itu lapisan karet mengurangi vibrasi yang terjadi.



## Rawatan dan servis

### Rawatan dan kebersihan

**Sebelum mulai dengan pekerjaan pada perkakas listrik, tariklah steker dari stopkontak.**

**Perkakas listrik dan lubang ventilasi harus selalu dibersihkan supaya perkakas bisa digunakan dengan baik dan aman.**

Jika pada suatu waktu perkakas listrik ini tidak bisa berjalan meskipun telah diproduksi dan diperiksa dengan seksama, maka reparasinya harus dilakukan oleh Service Center perkakas listrik Bosch yang resmi.

Jika Anda hendak menanyakan sesuatu atau memesan suku cadang, sebutkan selalu nomor model yang terdiri dari 10 angka dan tercantum pada label tipe perkakas.

### Servis dan informasi bagi pelanggan

Gambar-gambar teknis dari bagian-bagian perkakas dan keterangan tentang suku cadang bisa dilihat di: **www.bosch-pt.com**

Hubungilah selalu agen Bosch dalam hal garansi, reparasi dan pembelian suku cadang.

#### Indonesia

P. T. Multi Tehaka  
Karang Anyar Permai Block B-24  
Jl. Karang Anyar No. 55  
Jakarta Pusat 10740  
Indonesia

☎ ..... +62 (0)21 / 6 59 52 22 (5 lines)

Fax ..... +62 (0)21 / 6 59 52 52 - 3

E-Mail: sales@bosch.co.id

www.bosch.co.id

### Cara membuang

Perkakas listrik, aksesoris dan kemasan sebaiknya didaur ulang sesuai dengan usaha melestarikan alam.

**Perubahan adalah hak Bosch.**



## Cảnh Báo Tổng Quát Cách Sử Dụng An Toàn Dụng Cụ Điện Cầm Tay

**⚠ CẢNH BÁO** Đọc kỹ mọi cảnh báo an toàn và mọi hướng dẫn. Không tuân thủ mọi cảnh báo và hướng dẫn được liệt kê dưới đây có thể bị điện giật, gây cháy và/hoặc bị thương tật nghiêm trọng.

**Hãy giữ tất cả tài liệu về cảnh báo và hướng dẫn để tham khảo về sau.**

Thuật ngữ "dụng cụ điện cầm tay" trong phần cảnh báo được đề cập đến cho sự vận hành dụng cụ điện cầm tay chủ yếu với máy (có dây dẫn điện) hay vận hành bằng pin (không dây dẫn điện) của bạn.

### 1) Khu vực làm việc an toàn

- Giữ nơi làm việc sạch và đủ ánh sáng.** Nơi làm việc bừa bộn và tối tăm dễ gây ra tai nạn.
- Không vận hành dụng cụ điện cầm tay trong môi trường dễ gây nổ, chẳng hạn như nơi có chất lỏng dễ cháy, khí đốt hay rác.** Dụng cụ điện cầm tay tạo ra các tia lửa nên có thể làm rác bén cháy hay bốc khói.
- Không để trẻ em hay người đến xem đứng gần khi vận hành dụng cụ điện cầm tay.** Sự phân tâm có thể gây ra sự mất điều khiển.

### 2) An toàn về điện

- Phích cắm của dụng cụ điện cầm tay phải thích hợp với ổ cắm.** Không bao giờ được độ lại phích cắm dưới mọi hình thức. Không được sử dụng phích tiếp hợp nối tiếp đất (dây mát). Phích cắm nguyên bản và ổ cắm đúng loại sẽ làm giảm nguy cơ bị điện giật.
- Tránh không để thân thể tiếp xúc với đất hay các vật có bề mặt tiếp đất như đường ống, lò sưởi, hàng rào và tủ lạnh.** Có nhiều nguy cơ bị điện giật hơn nếu cơ thể bạn bị tiếp xúc hay nối đất.
- Không được để dụng cụ điện cầm tay ngoài mưa hay ở tình trạng ẩm ướt.** Nước vào máy sẽ làm tăng nguy cơ bị điện giật.
- Không được làm hỏng dây dẫn điện.** Không bao giờ được nắm dây dẫn để xách, kéo hay rút phích cắm dụng cụ điện cầm tay. Không để dây gần nơi có nhiệt độ cao, dầu nhớt, vật nhọn bén hay bộ phận chuyển động. Làm hỏng hay cuộn rối dây dẫn làm tăng nguy cơ bị điện giật.

- Khi sử dụng dụng cụ điện cầm tay ngoài trời, dùng dây nối thích hợp cho việc sử dụng ngoài trời.** Sử dụng dây nối thích hợp cho việc sử dụng ngoài trời làm giảm nguy cơ bị điện giật.
- Nếu việc sử dụng dụng cụ điện cầm tay ở nơi ẩm ướt là không thể tránh được, dùng thiết bị ngắt mạch tự động aptomat (RCD) bảo vệ nguồn.** Sử dụng thiết bị RCD làm giảm nguy cơ bị điện giật.

### 3) An toàn cá nhân

- Hãy tỉnh táo, biết rõ mình đang làm gì và hãy sử dụng ý thức khi vận hành dụng cụ điện cầm tay.** Không sử dụng dụng cụ điện cầm tay khi đang mệt mỏi hay đang bị tác động do chất gây nghiện, rượu hay được phâm gây ra. Một thoáng mất tập trung khi đang vận hành dụng cụ điện cầm tay có thể gây thương tích nghiêm trọng cho bản thân.
- Sử dụng trang bị bảo hộ cá nhân.** Luôn luôn đeo kính bảo vệ mắt. Trang bị bảo hộ như khẩu trang, giày chống trượt, nón bảo hộ, hay dụng cụ bảo vệ tai khi được sử dụng đúng nơi đúng chỗ sẽ làm giảm nguy cơ thương tật cho bản thân.
- Phòng tránh máy khởi động bất ngờ.** Bảo đảm công tắc máy ở vị trí tắt trước khi cắm vào nguồn điện và/hay lắp pin vào, khi nâng máy lên hay khi mang xách máy. Ngáng ngón tay vào công tắc máy để xách hay kích hoạt dụng cụ điện cầm tay khi công tắc ở vị trí mở dễ dẫn đến tai nạn.
- Lấy mọi chìa hay khóa điều chỉnh ra trước khi mở điện dụng cụ điện cầm tay.** Khóa hay chìa còn gắn dính vào bộ phận quay của dụng cụ điện cầm tay có thể gây thương tích cho bản thân.
- Không rướn người.** Luôn luôn giữ tư thế đứng thích hợp và thăng bằng. Điều này tạo cho việc điều khiển dụng cụ điện cầm tay tốt hơn trong mọi tình huống bất ngờ.
- Trang phục thích hợp.** Không mặc quần áo lủng thùng hay mang trang sức. Giữ tóc, quần áo và gang tay xa khỏi các bộ phận chuyển động. Quần áo lủng thùng, đồ trang sức hay tóc dài có thể bị cuốn vào các bộ phận chuyển động.
- Nếu có các thiết bị đi kèm để nối máy hút bụi và các phụ kiện khác, bảo đảm các thiết bị này được nối và sử dụng tốt.** Việc sử dụng các thiết bị gom hút bụi có thể làm giảm các độc hại liên quan đến bụi gây ra.

**4) Sử dụng và bảo dưỡng dụng cụ điện cầm tay**

**a) Không được ép máy. Sử dụng dụng cụ điện cầm tay đúng loại theo đúng ứng dụng của bạn.** Dụng cụ điện cầm tay đúng chức năng sẽ làm việc tốt và an toàn hơn theo đúng tiến độ mà máy được thiết kế.

**b) Không sử dụng dụng cụ điện cầm tay nếu như công tắc không tắt và mở được.** Bất kỳ dụng cụ điện cầm tay nào mà không thể điều khiển được bằng công tắc là nguy hiểm và phải được sửa chữa.

**c) Rút phích cắm ra khỏi nguồn điện và/hay pin ra khỏi dụng cụ điện cầm tay trước khi tiến hành bất kỳ điều chỉnh nào, thay phụ kiện, hay cất dụng cụ điện cầm tay.** Các biện pháp ngăn ngừa như vậy làm giảm nguy cơ dụng cụ điện cầm tay khởi động bất ngờ.

**d) Cất giữ dụng cụ điện cầm tay không dùng tới nơi trẻ em không lấy được và không cho người chưa từng biết dụng cụ điện cầm tay hay các hướng dẫn này sử dụng dụng cụ điện cầm tay.** Dụng cụ điện cầm tay nguy hiểm khi ở trong tay người chưa được chỉ cách sử dụng.

**e) Bảo quản dụng cụ điện cầm tay. Kiểm tra xem các bộ phận chuyển động có bị sai lệch hay kẹt, các bộ phận bị rạn nứt và các tình trạng khác có thể ảnh hưởng đến sự vận hành của máy. Nếu bị hư hỏng, phải sửa chữa máy trước khi sử dụng.** Nhiều tai nạn xảy ra do bảo quản dụng cụ điện cầm tay tồi.

**f) Giữ các dụng cụ cất bên và sạch.** Bảo quản đúng cách các dụng cụ cất có cạnh cắt bén làm giảm khả năng bị kẹt và dễ điều khiển hơn.

**g) Sử dụng dụng cụ điện cầm tay, phụ kiện, đầu cài v. v., đúng theo các chỉ dẫn này, hãy lưu ý đến điều kiện làm việc và công việc phải thực hiện.** Sử dụng dụng cụ điện cầm tay khác với mục đích thiết kế có thể tạo nên tình huống nguy hiểm.

**5) Bảo dưỡng**

**a) Đưa dụng cụ điện cầm tay của bạn đến thợ chuyên môn để bảo dưỡng, chỉ sử dụng phụ tùng đúng chủng loại để thay.** Điều này sẽ đảm bảo sự an toàn của máy được giữ nguyên.

**Chỉ dẫn chi tiết để sử dụng máy An toàn**

▶ **Khi sử dụng máy, luôn luôn giữ chặt máy bằng cả hai tay và tạo tư thế đứng vững chắc.** Dụng cụ điện cầm tay vận hành an toàn hơn khi dùng cả hai tay.

▶ **Kẹp chặt vật gia công.** Vật gia công được kẹp bằng một thiết bị kẹp hay bằng ê-tô thì vững chắc hơn giữ bằng tay.

▶ **Không sử dụng vật liệu có chứa chất amiăng.** Amiăng được xem là chất gây ung thư.

▶ **Sử dụng mọi biện pháp bảo vệ vì trong lúc thao tác có thể sản sinh ra loại bụi gây nguy hại đến sức khỏe, dễ cháy hay nổ.** Ví dụ: Một số loại bụi được xem như chất gây ra ung thư. Hãy mang khẩu trang chống bụi và sử dụng thiết bị hút dăm/bụi khi có thể lắp nối vào.

▶ **Giữ nơi làm việc của bạn gọn gàng.** Vật liệu có cấu tạo hỗn hợp là đặc biệt nguy hiểm. Bụi từ hợp kim nhẹ có thể cháy hay nổ.

▶ **Luôn luôn đợi cho máy hoàn toàn ngừng hẳn trước khi đặt xuống.** Dụng cụ lắp vào máy có thể bị kẹp chặt dẫn đến việc dụng cụ điện cầm tay bị mất điều khiển.

▶ **Không bao giờ được sử dụng máy có dây dẫn bị hỏng.** Không được chạm vào dây dẫn bị hỏng và kéo phích cắm chính ra trong lúc vận hành mà dây dẫn bị hỏng. Dây dẫn bị hỏng làm tăng nguy cơ bị điện giật.

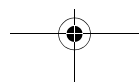
▶ **Nối máy sử dụng ngoài trời thông qua thiết bị ngắt mạch tự động (RCD).**

▶ **Hãy mang chụp bảo vệ tai khi sử dụng các loại khoan đập.** Tác động của tiếng ồn có thể gây ra điếc tai.

▶ **Luôn luôn sử dụng tay nắm phụ cung cấp kèm theo máy.** Sự mất kiểm soát có thể gây thương tích cho bản thân.

▶ **Sử dụng thiết bị dò tìm thích hợp để xác định các đường hay ống dẫn công ích nằm âm trong khu vực làm việc hay liên hệ với cty công trình phúc lợi để nhờ giúp đỡ.** Tiếp xúc với dây điện có thể dẫn đến cháy và bị điện giật. Chạm đường dẫn khí đốt có thể gây nổ. Làm thủng ống dẫn nước có thể làm hư hại tài sản hay có thể gây ra điện giật.

▶ **Chỉ nắm máy nơi nắm có bề mặt cách điện khi thực hiện công việc nơi mà dụng cụ cất có thể chạm vào dây điện âm hay chính dây dẫn điện của máy.** Tiếp xúc với dây sống sẽ làm các bộ phận kim loại không được bao bọc của dụng cụ có điện và giật người vận hành máy.





## Mô tả Chức năng



**Đọc kỹ mọi cảnh báo an toàn và mọi hướng dẫn.** Không tuân thủ mọi cảnh báo và hướng dẫn được liệt kê dưới đây có thể bị điện giật, gây cháy và/hay bị thương tật nghiêm trọng.

Trong khi đọc các hướng dẫn sử dụng, mở trang gấp hình ảnh máy và để mở nguyên như vậy.

### Dành Sử dụng cho

Máy khoan có chức năng đập được thiết kế để khoan gạch, bê-tông và đá cũng như để khoan gỗ, kim loại và nhựa. Máy có trang bị bộ phận điều khiển điện tử và quay được chiều phải/trái cũng thích hợp cho việc bắt vít hay bắt ren

### Biểu trưng của Sản phẩm

Sự đánh số các biểu trưng của sản phẩm là để tham khảo hình minh họa của máy trên trang hình ảnh.

- 1 Mâm cặp không dùng chìa
- 2 Gạc chọn chức năng "Khoan thường/Khoan đập"
- 3 Nút vận chọn trước tốc độ điện tử (GSB 20-2 RCE/GSB 20-2 RET)
- 4 Gạc chọn chế độ "Khoan thường/Vặn vít" (GSB 20-2 RET)
- 5 Gạc chọn chiều quay (GSB 20-2 RE/GSB 20-2 RCE/GSB 20-2 RET)
- 6 Phần nắm mềm
- 7 Công tắc Tắt/Mở
- 8 Nút vận chọn trước tốc độ (GSB 20-2 RE)
- 9 Nút khoá giữ chế độ tự-chạy của công tắc Tắt/Mở
- 10 Bộ phận chọn vòng truyền động
- 11 Nút điều chỉnh cho cỡ định chiều sâu
- 12 Tay nắm phụ\*
- 13 Cỡ định chiều sâu\*
- 14 Khóa của mâm cặp
- 15 Loại mâm cặp khoan dùng khóa
- 16 Đầu vít\*
- 17 Đầu nối phổ thông\*
- 18 Khóa lục giác Allen\*\*

\*Không phải tất cả các phụ kiện trong minh họa hay mô tả đi kèm theo máy như là tiêu chuẩn khi giao hàng.

\*\*Có bán trên thị trường (không nằm trong phạm vi được kèm theo máy khi giao hàng)





## Thông Số Kỹ Thuật

Khoan Đập GSB ...PROFESSIONAL		20-2	20-2 RE	20-2 RE	20-2 RCE	20-2 RET
Mã số máy	0 601 ...	19B 0..	19B 4..	19B 5..	19B 7..	19B 9..
Công suất vào danh định	W	750	800	800	1010	1010
Công suất ra	W	350	420	420	475	475
Tốc độ không tải						
Vòng truyền lực thứ 1	v/p	1100	0-1100	0-1100	0-1100	0-1100
Vòng truyền lực thứ 2	v/p	3000	0-3000	0-3000	0-3000	0-3000
Tốc độ danh định						
Vòng truyền lực thứ 1	v/p	740	740	740	1100	1100
Vòng truyền lực thứ 2	v/p	1930	1930	1930	3000	3000
Tần suất đập khi không tải	bpm	48000	48000	48000	48000	48000
Lực xoắn danh định (vòng truyền lực thứ 1/ 2)	Nm	4,3/1,7	5,4/2,1	5,4/2,1	4,3/1,7	4,3/1,7
Bộ phận điện tử điều khiển lực xoắn		-	-	-	-	●
Chọn Trước Tốc Độ		-	●	●	●	●
Bộ Điều khiển tạo sự ổn định điện tử		-	-	-	●	●
Quay Phải/Trái		-	●	●	●	●
Đặc trưng của bánh răng kép		●	●	●	●	●
Mâm cặp dùng chìa		●	●	-	-	-
Mâm cặp không dùng chìa		-	-	●	●	●
Khóa tự động toàn bộ trục (Khóa tự động)		-	-	●	●	●
Đường kính cổ trục	mm	43	43	43	43	43
Đường kính khoan tối đa (vòng truyền lực thứ 1/thứ 2)						
Công trình xây gạch	mm	22/16	22/16	22/16	22/16	22/16
Bê-tông	mm	20/13	20/13	20/13	20/13	20/13
Thép	mm	13/8	13/8	13/8	16/8	16/8
Gỗ	mm	40/25	40/25	40/25	40/25	40/25
Phạm vi mâm cặp kẹp được	mm	1,5-13	1,5-13	1,5-13	1,5-13	1,5-13
Trọng lượng theo Qui trình EPTA 01/2003	kg	2,5	2,5	2,5	2,6	2,6
Cấp độ bảo vệ		□/II	□/II	□/II	□/II	□/II

Các giá trị đã cho có hiệu lực cho điện thế danh định [U] 230/240 V. Đối với điện thế thấp hơn và các loại máy dành riêng cho một số quốc gia, các giá trị này có thể thay đổi.

Xin vui lòng xem kỹ mã số máy trên nhãn máy của bạn. Tên thương mại của từng máy có thể khác nhau.

## Sự ráp vào

### Tay nắm phụ (xem hình A)

#### Chỉ vận hành máy của bạn khi đã gắn tay nắm phụ 12.

Tay nắm phụ 12 có thể chỉnh đặt ở bất cứ vị trí nào mà tạo ra được sự an toàn và tự thể làm việc thoải mái nhất.

Vận phần thân dưới của tay nắm phụ 12 ngược chiều kim đồng hồ và xoay tay nắm phụ 12 vào vị trí muốn đặt. Sau đó vận chặt phần thân dưới của tay nắm phụ 12 lại theo chiều kim đồng hồ.

### Điều Chỉnh Cỡ Sâu Khoan (xem hình A)

Cỡ sâu muốn khoan **X** có thể chỉnh đặt bằng cỡ định chiều sâu 13.

Nhấn nút để chỉnh đặt cỡ định chiều sâu 11 và lắp cỡ định chiều sâu vào tay nắm phụ 12.

Kéo cỡ định chiều sâu ra cho đến khi khoảng cách giữa đầu mũi khoan và đầu cỡ định chiều sâu thích ứng với chiều sâu lỗ khoan muốn có **X**.

Bề mặt có khía của cỡ định chiều sâu 13 phải được đặt ngửa lên.

## Thay dụng cụ

**Trước khi tiến hành bất cứ việc gì trên máy, kéo phích cắm chính ra.**

### Mâm Cặp Không Dừng Khóa (xem hình B)

Trục khoan bị khóa khi công tắc Tắt/Mở 7 không được nhấn vào. Điều này làm cho việc thay dụng cụ ở mâm cặp được nhanh, tiện lợi và dễ dàng có thể thực hiện được.

Mở mâm cặp không dừng chìa 1 bằng cách xoay cho đến khi dụng cụ có thể tra vào được. Tra dụng cụ vào.

Vặn thật chặt cổ của mâm cặp không dừng chìa 1 bằng tay theo chiều kim đồng hồ cho đến khi không còn nghe tiếng ("cách") của động tác khóa. Cách này tự động khóa mâm cặp lại.

Khóa được mở ra lại để lấy dụng cụ ra khi cổ mâm cặp được vặn theo chiều ngược lại.

### Mâm Cặp Khoan Dừng Khóa (xem hình C)

- **Mang găng tay bảo hộ khi thay dụng cụ.** Mâm cặp có thể trở nên rất nóng trong suốt thời gian dài liên tục hoạt động.

Mở mâm cặp khoan dừng khóa 15 bằng cách vặn cho đến khi dụng cụ có thể lắp vào được. Lắp dụng cụ vào.

Tra khóa mâm cặp vào 14 trong các lỗ tương ứng của mâm cặp khoan dừng khóa 15 và vặn để kẹp dụng cụ lại một cách đồng bộ.

### Dụng Cụ Bất Vít (xem hình D)

Khi làm việc với các mũi vít 16, luôn luôn nên sử dụng 17 loại đầu nối phổ thông. Chỉ dùng mũi vít vừa khớp với đầu vít.

Để bắt vít vào, luôn luôn đặt vị trí gạt chọn "Khoan thường/Khoan Đập" 2 về biểu tượng "Khoan thường".

## Thay Mâm Cặp Khoan

**Trước khi tiến hành bất cứ việc gì trên máy, kéo phích cắm chính ra.**

**Đối với loại dụng cụ cầm tay không có khóa trực, khi thay mâm cặp phải được đại lý phục vụ hàng sau khi bán do dụng cụ điện cầm tay Bosch ủy quyền thực hiện.**

### Lấy Mâm Cặp Khoan Ra (xem hình E)

Tháo tay nắm phụ ra và đặt gạt chọn vòng truyền động 10 về chính giữa ở giữa vòng truyền động thứ 1 và 2.

Đút chốt thép có đường kính Ø 4 mm và có chiều dài vào khoảng 50 mm vào trong lỗ khoan nằm trên cổ trục để khóa trục khoan lại.

Kẹp giữ phần đầu ngắn của khóa sáu cạnh Allen 18 vào trong mâm cặp không dừng chìa 1.

Đặt máy lên trên một mặt phẳng vững chắc (v.d, như bàn thợ). Giữ chặt máy và vặn mâm cặp không dừng chìa ra 1 bằng cách vặn khóa sáu cạnh Allen 18 theo chiều nghịch kim đồng hồ. Tháo lỏng mâm cặp không dừng chìa nằm áp sát ra bằng cách đập nhẹ lên phần đầu dài của khóa sáu cạnh. Lấy khóa sáu cạnh Allen 18 ra khỏi mâm cặp không dừng chìa và tháo vặn mâm cặp không dừng chìa ra.

### Gắn Mâm Cặp Khoan vào (xem hình F)

Gắn mâm cặp dừng chìa theo thứ tự ngược lại.

**Rút chốt thép ra khỏi lỗ khoan trên cổ trục máy sau khi việc gắn vào đã hoàn tất.**



**Mâm cặp khoan phải được siết chặt với lực vặn vào khoảng 35–40 Nm.**

## Vận hành

### Bắt đầu vận hành

**Tuân thủ theo đúng điện thế!** Điện thế nguồn phải đúng với điện thế đã ghi rõ trên nhãn máy.

### Đảo Chiều Quay (xem hình G–H) (GSB 20-2 RE/ GSB 20-2 RCE/GSB 20-2 RET)

**Khởi động gạt chỉ chiều quay 5 chỉ khi máy đã hoàn toàn dừng hẳn.**

Gạt chuyển đổi chiều quay 5 được sử dụng để đảo lại chiều quay của máy. Tuy nhiên, việc này không thể thực hiện được cùng lúc với công tắc Tắt/Mở 7 đang hoạt động.

**Quay chiều phải:** Để khoan và bắt vít vào, vặn gạt chỉ chiều quay 5 bên trái xuống và cùng lúc đẩy bên phải lên.

**Quay chiều trái:** Để nối lỏng hay tháo ốc và vít ra, đẩy gạt chỉ chiều quay 5 bên trái lên và cùng lúc gạt bên phải xuống.

### Chỉnh Đặt Chế Độ Hoạt Động



#### Khoan Thường và Vặn Vít

Chỉnh đặt gạt chọn 2 về biểu tượng "Khoan thường".



#### Khoan Đập

Chỉnh đặt gạt chọn chức năng 2 về biểu tượng "Khoan Đập".

Gạt chọn chức năng 2 ăn khớp vào guồng máy có thể nhận biết được và cũng có thể kích hoạt được cả khi máy đang chạy.

### Sự chọn lực Truyền động, Cơ học

Gạc chọn vòng truyền động **10** có thể hoạt động khi máy ở trạng thái đứng yên hay khi đang vận hành, Tuy nhiên, không nên thực hiện việc này khi máy đang hoạt động hết công suất hay ở tốc độ tối đa. Có thể chọn trước hai tầm tốc độ bằng bộ phận chọn lực truyền động **10**.



#### Vòng truyền động I:

Tốc độ ở tầm thấp; để thao tác với đường kính khoan lớn hay để bắt vít.



#### Vòng truyền động II:

Tốc độ ở tầm cao; để thao tác với đường kính khoan nhỏ.

Nếu bộ phận chọn lực truyền động **10** không thể ăn khớp hoàn toàn, xoay nhẹ trục dẫn động có lắp mũi khoan bằng cách vận mâm cặp khoan.

### Bật Mở và Tắt

Để khởi **động máy**, nhấn công tắc Tắt/Mở **7** và nhấn giữ xuống.

Để khóa, **nhấn** công tắc Tắt/Mở **7**, nhấn nút khóa tự-chạy **9** vào.

Để **tắt máy**, nhả công tắc Tắt/Mở **7** ra hay khi công tắc đã được khóa bằng nút khóa tự-chạy **9**, nhấn nhanh công tắc Tắt/Mở **7** và rời nhả ra.

### Khớp Ly hợp chống Quá tải



Để hạn chế lực xoắn bất ngược nguy hiểm, máy được trang bị một khớp ly hợp an toàn (chống quay).

Nếu dụng cụ lắp trong máy bị kẹt hay kẹt, lực truyền động đến trục khoan bị ngăn lại. Do vậy tạo ra lực tác động, **luôn luôn giữ dụng cụ điện cầm tay bằng cả hai tay thật chắc và tạo tư thế bản thân cho vững chãi.**

**Nếu dụng cụ điện cầm tay bị kẹt, tắt máy và làm rơi dụng cụ lắp trong máy ra.** Khi bật máy lên mà dụng cụ khoan còn đang bị kẹt, lực vận mạnh có thể xảy ra.

### Điều chỉnh Tốc Độ/Tần suất Đập (GSB 20-2 RE/ GSB 20-2 RCE/GSB 20-2 RET)

Tùy theo lực áp lên công tắc Tắt/Mở **7**, tốc độ/tần suất đập có thể điều chỉnh thay đổi khác nhau.

Lực áp nhẹ lên công tắc Tắt/Mở **7** tạo ra tốc độ thấp/tần suất đập thưa. Lực áp mạnh hơn lên công tắc làm tăng tốc độ và tần suất đập.

### Chọn trước Tốc độ/Tần suất Đập (GSB 20-2 RE)

bằng núm xoay chọn trước tốc độ **8**, tốc độ/tần suất đập mà ta muốn có, có thể định trước được ngay cả khi đang vận hành máy.

Tốc độ cần có/tần suất đập tùy thuộc vào vật liệu và các điều kiện làm việc, và có thể xác định được thông qua việc chạy thử nghiệm thực tế.

### Chọn Trước Tốc Độ Điện Tử (GSB 20-2 RCE/GSB 20-2 RET)

Với núm xoay để chọn trước tốc độ điện tử **3**, tốc độ/tần suất đập cần có, có thể chỉnh đặt trước ngay cả khi đang vận hành máy.

Tốc độ cần có/tần suất đập tùy thuộc vào vật liệu và các điều kiện làm việc, và có thể xác định được thông qua việc chạy thử nghiệm thực tế.

### Kiểm Soát Sự Ổn Định Điện Tử (GSB 20-2 RCE/GSB 20-2 RET)

Bộ phận kiểm soát sự ổn định dòng điện giữ cho tốc độ chọn trước và tần suất đập hầu như ổn định giữa tình trạng không tải và có tải.

### Sự Hạn Chế Lực Xoắn Điện Tử/Chọn Trước Tốc Độ (Kiểm Soát Lực Xoắn) (GSB 20-2 RET)



**Khoan với tốc độ chọn trước:** Chỉnh đặt gạc chọn **4** về biểu tượng "Khoan thường". Có thể chọn trước tốc độ muốn chọn bằng núm xoay **3**; nó cũng có thể điều chỉnh được trong lúc đang vận hành.



**Bắt vít với lực xoắn hạn chế:** Chỉnh đặt gạc chọn **4** về biểu tượng "Vặn vít". Lực xoắn hiệu ứng tại trục khoan có thể điều chỉnh thay đổi bằng núm xoay **3** trong lúc đang vận hành:



I=Lực xoắn thấp, III=Lực xoắn cao.

Tốc độ tối đa tự động thích ứng với sự điều chỉnh lực xoắn.

Nếu lực xoắn được chọn trước đã đạt đến đỉnh điểm trong quá trình bắt vít, máy tự tắt; dụng cụ khoan ngừng quay. Nếu tải của máy được giải phóng ngay sau đó mà công tắc Tắt/Mở **7** vẫn còn bị nhấn vào, dụng cụ khoan tiếp tục quay chỉ với tốc độ rất thấp vì lý do an toàn.

Sau khi nhả công tắc Tắt/Mở **7**, có thể bắt vít kế tiếp với cùng một lực xoắn.



**Để bắt vít mà không có sự hạn chế lực xoắn,** vận núm xoay **3** về hết phải. Việc chỉnh đặt này là cần thiết, khi lực xoắn ở cấp độ **III** không đủ lực.





## Hướng dẫn sử dụng

**Đưa máy vào đai ốc/vít chỉ khi công tác đã được tắt.**

### Mách nước

Sau thời gian dài vận hành máy liên tục ở tốc độ thấp, để làm máy nguội xuống, cho máy chạy không tải với tốc độ tối đa trong khoảng 3 phút.

Để khoan ngói, chỉnh đặt gạt chọn 2 về biểu tượng "Khoan thường". Không được gạt sang biểu tượng "Khoan Đập" hay thao tác với chế độ đập cho đến khi đã khoan xuyên qua ngói.

Dùng mũi khoan đầu cacbua khi khoan bê-tông, nơi có kết cấu nề và tường gạch.

Để khoan kim loại, chỉ nên dùng mũi khoan thép gió HSS thật sắc bén (HSS = thép tốc độ cao). Chất lượng đáp ứng chuẩn được đảm bảo trong chương trình phụ kiện của Bosch.

Mũi khoan xoắn ốc từ 2,5–10 mm có thể dễ dàng mài bén lại bằng dụng cụ mài mũi khoan (xem phần phụ kiện).

### Phần nắm mềm

Bề mặt để nắm (phần nắm mềm) 6 làm giảm nguy cơ trượt tay và do vậy cải thiện sự nắm giữ máy và thao tác.

Đồng thời, mặt phủ cao su tạo ra hiệu ứng giảm rung.

## Hậu mãi và Hỗ trợ Khách hàng

Biểu đồ tương quan và thông tin về phụ tùng có thể tra cứu theo dưới đây:

**www.bosch-pt.com**

Trung Tâm Thương Mại Sài Gòn

37 Tôn Đức Thắng

P. Bến Nghé

Tp. HCM

Việt Nam

☎ .....+84 8 9 11 13 74 – 9 11 13 75

Fax .....+84 8 9 11 13 76

## Thải bỏ

Máy, linh kiện và bao bì phải được phân loại để tái chế theo hướng thân thiện với môi trường.

**Được thay đổi nội dung mà không thông báo trước.**

## Bảo dưỡng và Bảo quản

### Bảo dưỡng và Làm sạch

**Trước khi tiến hành bất cứ việc gì trên máy, kéo phích cắm chính ra.**

**Để được an toàn và máy hoạt động đúng chức năng, luôn luôn giữ máy và các khe thông gió được sạch.**

Nếu giả như máy bị trục trặc dù đã được theo dõi cẩn thận trong quá trình sản xuất và đã qua chạy kiểm tra, sự sửa chữa phải do trung tâm bảo hành-bảo trì dụng cụ điện cầm tay Bosch thực hiện.

Trong mọi thư từ giao dịch và đơn đặt hàng phụ tùng, xin vui lòng luôn viết đủ 10 con số đã được ghi trên nhãn máy.



## Indications générales de sécurité pour outils électroportatifs

**⚠ AVERTISSEMENT** Lire tous les avertissements et indications. Le non-respect des avertissements et instructions indiqués ci-après peut entraîner un choc électrique, un incendie et/ou de graves blessures sur les personnes. **Bien garder tous les avertissements et instructions.**

La notion d'« outil électroportatif » mentionnée dans les avertissements se rapporte à des outils électriques raccordés au secteur (avec câble de raccordement) et à des outils électriques à accu (sans câble de raccordement).

### 1) Sécurité à l'endroit de travail

- a) **Maintenez l'endroit de travail propre et bien éclairé.** Un lieu de travail en désordre ou mal éclairé augmente le risque d'accidents.
- b) **N'utilisez pas l'outil électroportatif dans un environnement présentant des risques d'explosion et où se trouvent des liquides, des gaz ou poussières inflammables.** Les outils électroportatifs génèrent des étincelles risquant d'enflammer les poussières ou les vapeurs.
- c) **Tenez les enfants et autres personnes éloignés durant l'utilisation de l'outil électroportatif.** En cas d'inattention vous risquez de perdre le contrôle sur l'appareil.

### 2) Sécurité relative au système électrique

- a) **La fiche de secteur de l'outil électroportatif doit être appropriée à la prise de courant. Ne pas modifier en aucun cas la fiche. Ne pas utiliser de fiches d'adaptateur avec des outils électroportatifs avec mise à la terre.** Les fiches non modifiées et les prises de courant appropriées réduisent le risque de choc électrique.
- b) **Éviter le contact physique avec des surfaces mises à la terre tels que tuyaux, radiateurs, fours et réfrigérateurs.** Il y a un risque élevé de choc électrique au cas où votre corps serait relié à la terre.
- c) **Ne pas exposer l'outil électroportatif à la pluie ou à l'humidité.** La pénétration d'eau dans un outil électroportatif augmente le risque d'un choc électrique.
- d) **Ne pas utiliser le câble à d'autres fins que celles prévues, ne pas utiliser le câble pour porter l'outil électroportatif ou pour l'accrocher ou encore pour le débrancher de la prise de courant. Maintenir le câble**

**éloigné des sources de chaleur, des parties grasses, des bords tranchants ou des parties de l'appareil en rotation.** Un câble endommagé ou torsadé augmente le risque d'un choc électrique.

- e) **Au cas où l'outil électroportatif serait utilisé à l'extérieur, utiliser une rallonge appropriée pour les applications extérieures.** L'utilisation d'une rallonge électrique appropriée pour les applications extérieures réduit le risque d'un choc électrique.
  - f) **Si une utilisation de l'outil électroportatif dans un environnement humide ne peut pas être évitée, utiliser un disjoncteur différentiel.** Un disjoncteur différentiel réduit le risque d'un choc électrique.
- ### 3) Sécurité des personnes
- a) **Rester vigilant, surveiller ce que vous faites. Faire preuve de bon sens en utilisant l'outil électroportatif. Ne pas utiliser un outil électroportatif lorsqu'on est fatigué ou après avoir consommé de l'alcool, des drogues ou avoir pris des médicaments.** Un moment d'inattention lors de l'utilisation de l'outil électroportatif peut entraîner de graves blessures sur les personnes.
  - b) **Porter des équipements de protection. Porter toujours des lunettes de protection.** Le fait de porter des équipements de protection personnels tels que masque anti-poussière, chaussures de sécurité antidérapantes, casque de protection ou protection acoustique suivant le travail à effectuer avec l'outil électroportatif, réduit le risque de blessures.
  - c) **Éviter toute mise en service accidentelle. S'assurer que l'outil électroportatif est effectivement éteint avant de le raccorder à l'alimentation en courant ou avant de raccorder l'accu, de soulever ou de porter l'outil électroportatif.** Le fait de porter l'outil électroportatif avec le doigt sur l'interrupteur ou de le brancher sur la source de courant lorsque l'outil électroportatif est en fonctionnement, peut entraîner des accidents.
  - d) **Enlever tout outil de réglage ou toute clé avant de mettre l'outil électroportatif en fonctionnement.** Une clé ou un outil se trouvant sur une partie en rotation peut causer des blessures.
  - e) **Éviter une position anormale du corps. Veiller à garder toujours une position stable et équilibrée.** Ceci vous permet de mieux contrôler l'outil électroportatif dans des situations inattendues.

f) **Porter des vêtements appropriés. Ne pas porter de vêtements amples ni de bijoux. Maintenir cheveux, vêtements et gants éloignés des parties de l'appareil en rotation.** Des vêtements amples, des bijoux ou des cheveux longs peuvent être happés par des pièces en mouvement.

g) **Si des dispositifs servant à aspirer ou à recueillir les poussières doivent être utilisés, vérifier que ceux-ci soient effectivement raccordés et qu'ils sont correctement utilisés.** L'utilisation d'un dispositif d'aspiration des poussières peut réduire les dangers dus aux poussières.

#### 4) Utilisation et emploi soigneux d'outils électroportatifs

a) **Ne pas surcharger l'appareil. Utiliser l'outil électroportatif approprié au travail à effectuer.** Avec l'outil électroportatif approprié, vous travaillerez mieux et avec plus de sécurité à la vitesse pour laquelle il est prévu.

b) **Ne pas utiliser un outil électroportatif dont l'interrupteur est défectueux.** Un outil électroportatif qui ne peut plus être mis en ou hors fonctionnement est dangereux et doit être réparé.

c) **Retirer la fiche de la prise de courant et/ou enlever l'accu avant d'effectuer des réglages sur l'appareil, de changer les accessoires, ou de ranger l'appareil.** Cette mesure de précaution empêche une mise en fonctionnement de l'outil électroportatif par mégarde.

d) **Garder les outils électroportatifs non utilisés hors de la portée des enfants. Ne pas permettre l'utilisation de l'appareil à des personnes qui ne se sont pas familiarisées avec celui-ci ou qui n'ont pas lu ces instructions.** Les outils électroportatifs sont dangereux lorsqu'ils sont utilisés par des personnes non initiées.

e) **Prendre soin de l'outil électroportatif. Vérifier que les parties en mouvement fonctionnent correctement et qu'elles ne soient pas coincées, et contrôler si des parties sont cassées ou endommagées de telle sorte que le bon fonctionnement de l'outil électroportatif s'en trouve entravé. Faire réparer ces parties endommagées avant d'utiliser l'appareil.** De nombreux accidents sont dus à des outils électroportatifs mal entretenus.

f) **Maintenir les outils de coupe aiguisés et propres.** Des outils soigneusement entretenus avec des bords tranchants bien aiguisés se coincent moins souvent et peuvent être guidés plus facilement.

g) **Utiliser les outils électroportatifs, les accessoires, les outils à monter etc. conformément à ces instructions. Tenir compte également des conditions de travail et du travail à effectuer.** L'utilisation des outils électroportatifs à d'autres fins que celles prévues peut entraîner des situations dangereuses.

#### 5) Travaux d'entretien

a) **Ne faire réparer l'outil électroportatif que par un personnel qualifié et seulement avec des pièces de rechange d'origine.** Ceci permet d'assurer la sécurité de l'appareil.

## Instructions de sécurité spécifiques à l'appareil

- ▶ **Toujours bien tenir l'outil électroportatif des deux mains et veiller à toujours garder une position de travail stable.** Avec les deux mains, l'outil électroportatif est guidé de manière plus sûre.
- ▶ **Bloquer la pièce à travailler.** Une pièce à travailler serrée par des dispositifs de serrage ou dans un étau est fixée de manière plus sûre que tenue dans les mains.
- ▶ **Ne pas travailler de matériaux contenant de l'amiante.** L'amiante est considérée comme étant cancérigène.
- ▶ **Prendre des mesures de sécurité, lorsque des poussières nuisibles à la santé, inflammables ou explosives peuvent être générées lors du travail.** Par exemple : Certaines poussières sont considérées comme étant cancérigènes. Porter un masque anti-poussières et utiliser un dispositif d'aspiration de poussières/de copeaux s'il est possible de raccorder un tel dispositif.
- ▶ **Tenir propre la place de travail.** Les mélanges de matériaux sont particulièrement dangereux. Les poussières de métaux légers peuvent être explosives ou inflammables.
- ▶ **Avant de déposer l'outil électroportatif, attendre que celui-ci soit complètement à l'arrêt.** L'outil risque de se coincer, ce qui entraîne une perte de contrôle de l'outil électroportatif.
- ▶ **Ne jamais utiliser un outil électroportatif dont le câble est endommagé. Ne pas toucher à un câble endommagé et retirer la fiche du câble d'alimentation de la prise du courant, au cas où le câble serait endommagé lors du travail.** Un câble endommagé augmente le risque d'un choc électrique.
- ▶ **Brancher les outils électroportatifs qui sont utilisés à l'extérieur sur un disjoncteur différentiel (FI).**

- ▶ **Lors de l'utilisation de perceuses à percussion, toujours porter une protection acoustique.** Une forte exposition au bruit peut provoquer une perte d'audition.
- ▶ **Utiliser les poignées supplémentaires fournies avec l'outil électroportatif.** Le fait de perdre le contrôle de l'appareil électroportatif peut entraîner de blessures.
- ▶ **Utiliser des détecteurs appropriés afin de déceler des conduites cachées ou consulter les entreprises d'approvisionnement locales.** Un contact avec des conduites d'électricité peut provoquer un incendie ou un choc électrique. Un endommagement d'une conduite de gaz peut provoquer une explosion. La perforation d'une conduite d'eau provoque des dégâts matériels.
- ▶ **Ne tenir l'outil électroportatif qu'aux poignées isolées, si, pendant les travaux, l'outil de travail risque de toucher des câbles électriques cachés ou son propre câble d'alimentation.** Le contact avec des conduites sous tension entraîne une mise sous tension des parties métalliques de l'appareil, provoquant ainsi une décharge électrique.

## Description du fonctionnement



**Lire tous les avertissements et indications.** Le non-respect des avertissements et instructions indiqués ci-après peut entraîner un choc électrique, un incendie et/ou de graves blessures sur les personnes.

Déplier le volet sur lequel l'appareil est représenté de manière graphique. Laisser le volet déplié pendant la lecture de la présente notice d'utilisation.

## Utilisation conforme

L'appareil est conçu pour les travaux de perçage en frappe dans la brique, le béton et dans la pierre naturelle ainsi que pour le perçage dans le bois, le métal, la céramique et les matières plastiques. Les appareils avec réglage électronique et rotation à droite/à gauche sont également appropriés pour le vissage et le filetage.

## Eléments de l'appareil

La numérotation des éléments de l'appareil se réfère à la représentation de l'outil électroportatif sur la page graphique.

- 1 Mandrin automatique
- 2 Commutateur « Perçage/Perçage à percussion »
- 3 Molette de réglage de présélection électronique de la vitesse de rotation (GSB 20-2 RCE/GSB 20-2 RET)
- 4 Commutateur « Perçage/Vissage » (GSB 20-2 RET)
- 5 Commutateur du sens de rotation (GSB 20-2 RE/GSB 20-2 RCE/GSB 20-2 RET)
- 6 Poignée avec surface softgrip
- 7 Interrupteur Marche/Arrêt
- 8 Molette de réglage de présélection de la vitesse de rotation (GSB 20-RE)
- 9 Bouton de blocage pour l'interrupteur Marche/Arrêt
- 10 Commutateur de vitesse
- 11 Touche pour réglage de la butée de profondeur
- 12 Poignée supplémentaire\*
- 13 Butée de profondeur\*
- 14 Clé de mandrin
- 15 Mandrin à couronne dentée
- 16 Embout\*
- 17 Porte-embout universel\*
- 18 Clé pour vis à six pans creux\*\*

**\*Une partie des accessoires décrits ou montrés ne sont pas compris dans l'emballage.**

**\*\*disponible dans le commerce (non fourni avec l'appareil)**

## Caractéristiques techniques

<b>Perceuse à percussion GSB ... PROFESSIONAL</b>		<b>20-2</b>	<b>20-2 RE</b>	<b>20-2 RE</b>	<b>20-2 RCE</b>	<b>20-2 RET</b>
N° d'article	0 601 ...	19B 0..	19B 4..	19B 5..	19B 7..	19B 9..
Puissance absorbée nominale	W	750	800	800	1010	1010
Puissance utile	W	350	420	420	475	475
Vitesse de rotation en marche à vide						
1ère vitesse	tr/min	1 100	0-1 100	0-1 100	0-1 100	0-1 100
2ème vitesse	tr/min	3 000	0-3 000	0-3 000	0-3 000	0-3 000
Vitesse de rotation nominale						
1ère vitesse	tr/min	740	740	740	1 100	1 100
2ème vitesse	tr/min	1 930	1 930	1 930	3 000	3 000
Fréquence de frappe à la vitesse de rotation à vide	tr/min	48 000	48 000	48 000	48 000	48 000
Couple nominal (1ère/2ème vitesse)	Nm	4,3/1,7	5,4/2,1	5,4/2,1	4,3/1,7	4,3/1,7
Limitation électronique du couple (Torque Control)		-	-	-	-	●
Préréglage de la vitesse de rotation		-	●	●	●	●
Constant-Electronic		-	-	-	●	●
Rotation à droite/à gauche		-	●	●	●	●
2 vitesses		●	●	●	●	●
Mandrin à couronne dentée		●	●	-	-	-
Mandrin automatique		-	-	●	●	●
Blocage automatique de la broche (Auto-Lock)		-	-	●	●	●
Ø collet de broche	mm	43	43	43	43	43
Ø perçage max. (1ère/2ème vitesse)						
Maçonnerie	mm	22/16	22/16	22/16	22/16	22/16
Béton	mm	20/13	20/13	20/13	20/13	20/13
Acier	mm	13/8	13/8	13/8	16/8	16/8
Bois	mm	40/25	40/25	40/25	40/25	40/25
Plage de serrage du mandrin	mm	1,5-13	1,5-13	1,5-13	1,5-13	1,5-13
Poids suivant EPTA-Procédure 01/2003	kg	2,5	2,5	2,5	2,6	2,6
Classe de protection		□/II	□/II	□/II	□/II	□/II

Ces indications sont valables pour des tensions nominales de [U] 230/240 V. Ces indications peuvent varier pour des tensions plus basses ainsi que pour des versions spécifiques à certains pays.

Respectez impérativement le numéro d'article se trouvant sur la plaque signalétique de l'outil électroportatif. Les désignations commerciales des différents outils électroportatifs peuvent varier.



## Montage

### Poignée supplémentaire (voir figure A)

**N'utiliser l'appareil électroportatif qu'avec la poignée supplémentaire 12.**

La poignée supplémentaire **12** peut être basculer dans n'importe quelle position, afin d'obtenir une position de travail sûre et peut fatigante.

Tourner la pièce inférieure de la poignée supplémentaire **12** dans le sens inverse des aiguilles d'une montre et orienter la poignée supplémentaire **12** vers la position souhaitée. Ensuite, resserrer la pièce inférieure de la poignée supplémentaire **12** en la tournant dans le sens des aiguilles d'une montre.

### Réglage de la profondeur de perçage (voir figure A)

Avec la butée de profondeur **13** la profondeur de perçage souhaitée **X** peut être déterminée.

Appuyer sur la touche pour le réglage de la butée de profondeur **11** et placer la butée de profondeur dans la poignée supplémentaire **12**.

Sortir la butée de profondeur jusqu'à ce que la distance entre la pointe du foret et la pointe de la butée de profondeur corresponde à la profondeur de perçage souhaitée **X**.

La cannelure à la butée de profondeur **13** doit être orientée vers le haut.

### Changement de l'outil

**Avant d'effectuer des travaux sur l'outil électroportatif, retirer la fiche de la prise de courant.**

#### Mandrin automatique (voir figure B)

Lorsque l'interrupteur Marche/Arrêt **7** n'est pas appuyé, la broche de perçage est bloquée. Ceci permet un changement aisé, facile et rapide de l'outil de travail dans le mandrin de perçage.

Ouvrir le mandrin automatique **1** par un mouvement de rotation jusqu'à ce que l'outil puisse être monté. Monter l'outil.

Tourner fortement à la main la douille du mandrin automatique **1** dans le sens des aiguilles d'une montre jusqu'à ce qu'il n'y ait plus de déclic perceptible. Le mandrin de perçage se trouve alors verrouillé automatiquement.

Le verrouillage peut être desserré lorsqu'on tourne la douille en sens inverse afin d'enlever l'outil.

#### Mandrin à couronne dentée (voir figure C)

► **Porter des gants de protection lors du changement d'outil.** En cas de travaux assez longs, le mandrin de perçage risque de chauffer fortement.

Ouvrir le mandrin à couronne dentée **15** par un mouvement de rotation jusqu'à ce que l'outil puisse être monté. Monter l'outil.

Introduire la clé de mandrin **14** dans les perçages correspondants du mandrin à couronne dentée **15** et fixer l'outil de manière régulière.

#### Outils de vissage (voir figure D)

Lorsque des embouts sont utilisés **16**, il est recommandé d'utiliser un porte-embout universel **17**. N'utiliser que des embouts appropriés à la tête de vis.

Pour visser, toujours mettre le commutateur « Perçage/Perçage à percussion » **2** sur le symbole « Perçage ».

### Changement du mandrin de perçage

**Avant d'effectuer des travaux sur l'outil électroportatif, retirer la fiche de la prise de courant.**

**Pour des outils électroportatifs qui ne disposent pas d'un blocage de la broche de perçage, le mandrin de perçage doit être remplacé par une station de service après-vente pour outillage Bosch agréée.**

#### Démontage du mandrin de perçage (voir figure E)

Démonter la poignée supplémentaire et mettre le commutateur de vitesse **10** en position médiane entre la 1ère et la 2ème vitesse.

Introduire une tige en acier Ø de 4 mm et de 50 mm env. de longueur dans l'alésage se trouvant sur le col de la broche.

Serrer le bout court d'une clé mâle pour vis à six pans creux **18** dans le mandrin automatique **1**.

Poser l'outil électroportatif sur un support stable, p. ex. un établi. Maintenir l'outil électroportatif et desserrer le mandrin automatique **1** en tournant la clé pour vis à six pans creux **18** dans le sens inverse des aiguilles d'une montre. Au cas où le mandrin automatique serait coincé, il suffit de donner un coup léger sur le bout long de la clé pour vis à six pans creux **18** afin de le desserrer. Enlever la clé pour vis à six pans creux du mandrin automatique et desserrer complètement le mandrin automatique.

#### Montage du mandrin de perçage (voir figure F)

Le montage du mandrin automatique s'effectue dans l'ordre inverse.

**Une fois le montage effectué, enlever la tige en acier de l'alésage.**



**Le mandrin de perçage doit être serré avec un couple de serrage de 35-40 Nm environ.**

## Mise en marche

### Mise en service

**Tenir compte de la tension du réseau !** La tension de la source de courant doit coïncider avec les indications se trouvant sur la plaque signalétique de l'outil électroportatif. Les outils électroportatifs marqués 230 V peuvent également être mis en service sous 220 V.

#### Régler le sens de rotation (voir images G-H) (GSB 20-2 RE/GSB 20-2 RCE/GSB 20-2 RET)

#### N'actionner le commutateur du sens de rotation 5 qu'à l'arrêt total de l'appareil électroportatif.

Avec le commutateur de sens de rotation 5 le sens de rotation de l'outil électroportatif peut être inversé. Ceci n'est cependant pas possible, quand l'interrupteur Marche/Arrêt 7 est appuyé.

**Rotation à droite :** Pour percer et serrer des vis, pousser le commutateur du sens de rotation 5 à gauche vers le bas et en même temps à droite vers le haut.

**Rotation à gauche :** Pour desserrer ou dévisser des vis et des écrous, pousser le commutateur du sens de rotation 5 à droite vers le haut et en même temps à gauche vers le bas.

#### Régler le mode de service



##### Visser et percer

Positionner le commutateur 2 sur le symbole « Perçage ».



##### Perçage à percussion


Positionner le commutateur 2 sur le symbole « Perçage à percussion ».


Le commutateur 2 s'encliquette de façon perceptible et peut être actionné même pendant que le moteur est en marche.

#### Sélection mécanique de la vitesse

Il est possible d'actionner le commutateur de vitesse 10 à l'arrêt de l'appareil ou pendant que l'outil électroportatif tourne. Cependant, ceci ne devrait pas se faire lorsque l'appareil est sous charge maximale ou en vitesse de rotation maximale.

A l'aide du commutateur de vitesse 10, il est possible de présélectionner deux plages de vitesse de rotation.

**Vitesse I :**  
 Faible plage de vitesse de rotation ; pour diamètres de perçage importants ou pour le vissage.

**Vitesse II :**  
 Plage de vitesse de rotation élevée ; pour petits diamètres de perçage.

Au cas où le commutateur de vitesse 10 ne se laisserait pas tourner à fond, tourner légèrement la broche d'entraînement munie du foret.

#### Mise en Marche/Arrêt

Pour **mettre** l'outil électroportatif en marche, appuyer sur l'interrupteur Marche/Arrêt 7 et le maintenir appuyé.

Pour **bloquer** l'interrupteur Marche/Arrêt appuyé 7, appuyer sur le bouton de blocage 9.

Afin **d'arrêter** l'appareil électroportatif, relâcher l'interrupteur Marche/Arrêt 7 ou, s'il est bloqué par le bouton de blocage 9, appuyer brièvement sur l'interrupteur Marche/Arrêt 7, puis le relâcher.

#### Accouplement de surcharge



Afin de limiter les effets de retour de couple, l'outil électroportatif est équipé d'un débrayage de sécurité (Anti-Rotation).

Dès que l'outil de travail se coince ou qu'il s'accroche, l'entraînement de la broche de perçage est interrompu. En raison des forces pouvant en résulter, **toujours bien tenir l'outil électroportatif des deux mains et veiller à garder une position stable et équilibrée.**

**Arrêter immédiatement l'appareil électroportatif et débloquent l'outil de travail lorsque l'appareil électroportatif coince.** Lorsqu'on met l'appareil en marche, l'outil de travail étant bloqué, il peut y avoir de fortes réactions.

#### Réglage de la vitesse de rotation/de la fréquence de frappe (GSB 20-2 RE/GSB 20-2 RCE/GSB 20-2 RET)

La pression plus ou moins importante exercée sur l'interrupteur Marche/Arrêt 7 permet de régler progressivement la vitesse de rotation/la fréquence de frappe.

Une légère pression sur l'interrupteur Marche/Arrêt 7 entraîne une vitesse de rotation/une fréquence de frappe basse. Plus la pression augmente, plus la vitesse de rotation/la fréquence de frappe est élevée.

#### Préréglage de la vitesse de rotation/de la fréquence de frappe (GSB 20-2 RE)

La molette de réglage présélection de la vitesse de rotation 8 permet de présélectionner la vitesse de rotation/de la fréquence de frappe nécessaire (même durant l'utilisation de l'appareil).

La vitesse de rotation/la fréquence de frappe dépend du matériau à travailler et des conditions de travail et peut être déterminée par des essais pratiques.

### Présélection électronique de la vitesse de rotation (GSB 20-2 RCE/GSB 20-2 RET)

La molette de réglage présélection électronique de la vitesse de rotation **3** permet de présélectionner la vitesse de rotation/la fréquence de frappe nécessaire, même durant l'utilisation de l'appareil.

La vitesse de rotation/la fréquence de frappe dépend du matériau à travailler et des conditions de travail et peut être déterminée par des essais pratiques.

### Constant-Electronic (GSB 20-2 RCE/GSB 20-2 RET)

Le Constant-Electronic permet de maintenir presque constante la vitesse de rotation et la fréquence de frappe en marche à vide et même sous sollicitation.

### Limitation électronique du couple/ Présélection de la vitesse de rotation (Torque Control) (GSB 20-2 RET)



Pour **percer avec présélection de la vitesse de rotation**, positionner le commutateur **4** sur le symbole « Perçage ». La molette de réglage **3** permet de sélectionner la vitesse de rotation nécessaire même durant l'utilisation de l'appareil.



Pour **visser avec limitation du couple**, positionner le commutateur **4** sur le symbole « Vissage ». A l'aide de la molette de réglage **3**, il est possible de présélectionner sans à-coups le couple agissant sur la broche de perçage même durant l'utilisation de l'appareil :

I = couple faible, III = couple élevé.

La vitesse de rotation maximale est automatiquement adaptée au couple sélectionné.

Lorsque, durant le processus de vissage, le couple présélectionné est atteint, l'outil électroportatif s'arrête ; l'outil de travail ne tourne plus. Si la sollicitation de l'outil électroportatif est réduite ensuite et que l'interrupteur Marche/Arrêt **7** soit toujours appuyé, pour des raisons de sécurité l'outil de travail ne continue de tourner qu'à une très faible vitesse de rotation.

Dès que l'interrupteur Marche/Arrêt est brièvement relâché **7**, la prochaine vis peut être serré avec le même couple.



Pour **visser sans limitation du couple**, tourner la molette de réglage **3** à fond vers la droite. Ce réglage est nécessaire quand le couple en position III ne suffit pas.

## Instructions d'utilisation

**Poser l'outil électroportatif sur la vis/sur l'écrou seulement lorsque l'appareil est en position « Arrêt ».**

### Conseils

Après avoir travaillé à une petite vitesse de rotation pendant une période relativement longue, faire travailler l'outil électroportatif à vide à la vitesse de rotation maximale pendant une durée de 3 minutes environ afin de le laisser refroidir.

Pour percer dans des carreaux de faïence, positionner le commutateur **2** sur le symbole « Perçage ». Une fois le carreau de faïence percé, positionner le commutateur sur le symbole « Perçage à percussion » et travailler avec frappe.

Pour les travaux de perçage dans le béton, la pierre et la maçonnerie, utiliser des forets en carbure.

Pour percer dans le métal, n'utiliser que des forets HSS aiguisés et en parfait état (HSS = aciers super rapides). La gamme d'accessoires Bosch vous assure la qualité nécessaire.

Avec l'appareil d'affûtage de forets (accessoire), il est possible d'aiguiser sans problèmes des forets hélicoïdaux d'un diamètre de 2,5–10 mm.

### Poignée avec surface softgrip

La surface de la poignée **6** (softgrip) empêche la main de glisser, permettant ainsi une meilleure maniabilité de l'outil électroportatif et une meilleure prise en main. Grâce au revêtement en caoutchouc, les vibrations sont également atténuées.

## Entretien et service après-vente

### Nettoyage et entretien

**Avant d'effectuer des travaux sur l'outil électroportatif, retirer la fiche de la prise de courant.**

**Toujours tenir propres l'outil électroportatif ainsi que les ouïes de ventilation afin d'obtenir un travail impeccable et sûr.**

Si, malgré tous les soins apportés à la fabrication et au contrôle de l'appareil, celui-ci devait avoir un défaut, la réparation ne doit être confiée qu'à une station de service après-vente agréée pour outillage Bosch.

Pour toute demande de renseignement ou commande de pièces de rechange, nous préciser impérativement le numéro d'article à dix chiffres de l'outil électroportatif indiqué sur la plaque signalétique.



---

### Service après-vente

---

Vous trouverez des vues éclatées ainsi que des informations concernant les pièces de rechange sous :  
**[www.bosch-pt.com](http://www.bosch-pt.com)**

Pour avoir des renseignements concernant la garantie, les travaux d'entretien ou de réparation ou les pièces de rechange, veuillez contacter votre détaillant spécialisé.

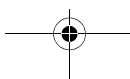
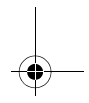
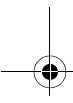
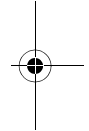
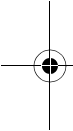
---

### Élimination des déchets

---

Les outils électroportatifs, ainsi que leurs accessoires et emballages, doivent pouvoir suivre chacun une voie de recyclage appropriée.

**Sous réserve de modifications.**



تحديد عزم الدوران إلكترونياً/ ضبط عدد الدوران مسبقاً (تورك كونترول)  
(GSB 20-2 RET)

من أجل التنقيب مع ضبط عدد الدوران مسبقاً يركز مفتاح التحويل **4** على رمز "الثقب". يمكنك بواسطة عجلة الضبط **3** أن تضبط عدد الدوران المطلوب مسبقاً حتى أثناء التشغيل.



من أجل ربط اللوالب مع تحديد عزم الدوران يركز مفتاح التحويل **4** على رمز "ربط اللوالب". يمكنك بواسطة عجلة الضبط **3** أن تضبط عزم الدوران المؤثر على محور الدوران دون تدريج وبشكل مسبق حتى أثناء التشغيل:

I = عزم دوران منخفض، III = عزم دوران مرتفع. يتم ملائمة عدد الدوران الأقصى بشكل آلي مع عزم الدوران الذي تم ضبطه.



عند التوصل إلى عزم الدوران المحدد مسبقاً أثناء التشغيل، فإن العدة الكهربائية تطفأ، عدة الشغل تتوقف عن الدوران. فإذا تم إزالة الحمل عن العدة الكهربائية بعد ذلك وكان مفتاح التشغيل والإطفاء **7** مازال في حالة الكبس، فإن عدة الشغل تتابع دورانها لأسباب أمان بعدد دوران منخفض جداً فقط. بعد ترك مفتاح التشغيل والإطفاء **7** لفترة وجيزة يمكن شد اللولب التالي بنفس عزم الدوران.

من أجل ربط اللوالب دون تحديد عزم الدوران ترم عجلة الضبط **3** إلى اليمين المطلق. يطلب هذا الضبط عندما يكون عزم الدوران في المركز III غير كافياً.



## ملاحظات شغل

ركز العدة الكهربائية على الصامولة/ اللولب فقط عندما تكون في حالة الإطفاء.

### نصائح

بعد تنفيذ الأعمال لفترة طويلة بعدد دوران صغير ينبغي تشغيل الجهاز على الفاضي لمدة ثلاث دقائق تقريباً بعدد الدوران الأقصى من أجل تبريده.

لثقب البلاط يركز مفتاح التحويل **2** على رمز "الثقب". بعد اختراق البلاطة يركز مفتاح التحويل على رمز "التنقيب المرفق بالطرق" ويتابع الشغل بالتنقيب المرفق بالطرق.

استخدم لقم التنقيب المصنوعة من المعدن الصلب عند إجراء الأشغال في الخرسانة والحجر والجدران.

استخدم عند تثقيب المعادن فقط لقم التنقيب HSS = (الفولاذ العالي القدرة والسرعة القطع) يضمن برنامج توابع بوش الجودة المناسبة.

يمكنك بواسطة جهاز شحذ لقم التنقيب (توابع) أن تشحذ لقم التنقيب الالتوائية بقطر قدره 10 - 2,5 مم دون عناء.

## المقبض اللين

إن سطح القبض **6** (المقبض اللين) يزيد من الأمان بعدم الإزلاق ويؤمن بذلك إمكانية القبض على العدة الكهربائية بشكل أفضل وأسهل. وبنفس الوقت يتم التوصل من خلال الطبقة المطاطية إلى تأثير مخفض للاهتزازات.

## الصيانة والخدمة

### الصيانة والتنظيف

اسحب القابس من مقبس الشبكة الكهربائية قبل إجراء أي عمل على العدة الكهربائية.

حافظ دائماً على نظافة العدة الكهربائية وشقوق التهوية للعمل بشكل جيد وآمن.

عند حدوث أي خلل بالجهاز بالرغم من أنه قد صنع بعناية فائقة واجتاز اختبارات عديدة توجب إصلاحه في مركز خدمة وكالة عدد بوش الكهربائية.

يرجى ذكر رقم صنف الجهاز بالمراتب العشر بشكل ضروري عند الاستشارة وعند إرسال طلبيات قطع الغيار.

### الخدمة ومشورة الزبائن

يعثر على الرسوم الممددة وعلى المعلومات عن قطع الغيار بموقع:

[www.bosch-pt.com](http://www.bosch-pt.com)

يرجى التوجه إلى التاجر المختص بما يتعلّق بأموال الضمان والتصليح وتأمين قطع الغيار.

### التخلص من الجهاز

ينبغي التخلص من العدد الكهربائية والتوابع والغللاف بطريقة منصفة للبيئة عن طريق النفايات القابلة لإعادة التصنيع.

نحتفظ بحق إدخال التعديلات.

# التشغيل

## بدء التشغيل

اتنبه إلى جهد الشبكة الكهربائية! يجب أن يتطابق جهد منبع التيار مع المعلومات المذكورة على لائحة طراز الجهاز.

ضبط اتجاه الدوران (تراجع الصورة **G-H**)  
**(GSB 20-2 RE/GSB 20-2 RCE/GSB 20-2 RET)**

غير وضع مفتاح تغيير اتجاه الدوران **5** فقط عندما تكون العدة الكهربائية متوقفة عن الحركة.

يمكنك بواسطة مفتاح تحويل اتجاه الدوران **5** أن تقوم بتغيير اتجاه دوران العدة الكهربائية. ولكن لا يمكن تنفيذ ذلك عندما يكون مفتاح التشغيل والإطفاء **7** قيد التشغيل.

دوران يميني: للثقب وربط اللوالب يدفع مفتاح تغيير اتجاه الدوران **5** على الجانب اليساري إلى الأسفل وبنفس الوقت على الجانب اليميني إلى الأعلى.

دوران يساري: لخل أو فك اللوالب والصواميل يدفع مفتاح تغيير اتجاه الدوران **5** على الجانب اليساري إلى الأعلى وبنفس الوقت على الجانب اليميني إلى الأسفل.

## ضبط نوع التشغيل

التثقيب وربط اللوالب

ركز مفتاح التحويل **2** على رمز "الثقب".



التثقيب المرفق بالطرق

اضبط مفتاح التحويل **2** على رمز "التثقيب المرفق بالطرق".



إن مفتاح التحويل **2** يتعاشق بصوت مسموع ويمكن تحويله حتى أثناء دوران المحرك.

اختيار ترس السرعة ميكانيكياً

يجوز تغيير وضع مفتاح اختيار ترس السرعة **10** عند توقف العدة الكهربائية عن الحركة أو أثناء تشغيلها. على ألا يتم ذلك أثناء التحميل الكامل أو أثناء عدد الدوران الأقصى.

يمكنك بواسطة مفتاح اختيار ترس السرعة **10** أن تختار مجالين اثنين لعدد الدوران مسبقاً.

ترس السرعة ١:

2 مجال عدد دوران منخفض، للشغل بقطر تثقيب كبير أو لربط اللوالب.



ترس السرعة ٢:

2 مجال عدد دوران مرتفع، للشغل بقطر تثقيب صغير.



إن لم يمكن تحريك مفتاح اختيار ترس السرعة **10** إلى حد المصادمة، فإبرم محور الدوران بلقمة التثقيب قليلاً.

## التشغيل والإطفاء

اضغط من أجل تشغيل العدة الكهربائية على مفتاح التشغيل والإطفاء **7** وحافظ على إبقائه مضغوطاً.

لثبيت مفتاح التشغيل والإطفاء **7** وهو في حالة الانضغاط، يضغط زر التثبيت **9**.

من أجل إطفاء العدة الكهربائية يترك مفتاح التشغيل والإطفاء **7** أو إن كان قد تمّ تثبيته بواسطة مفتاح التثبيت **9** فيضغط مفتاح التشغيل والإطفاء **7** للحظة ثم يترك بعد ذلك.

## قابض فرط التحميل

للمحد من عزم رد الفعل الخطيرة، فقد تمّ تزويد العدة الكهربائية بقابض فرط التحميل (مضاد للدوران).



عند انقياط أو تكليش عدة الشغل، تفصل قوة الدفع عن محور دوران المثقاب. اقبط على العدة الكهربائية دائماً بكلتا اليدين بإحكام وقف بثبات بسبب القوى الناتجة عن ذلك.

اطفي العدة الكهربائية وحلّ عدة الشغل عند استعصاء العدة الكهربائية. عند بدء التشغيل بعدة تثقيب مستعصية تشكل عزم ارتدادية عالية.

ضبط عدد الدوران/ عدد الطرق

**(GSB 20-2 RE/GSB 20-2 RCE/GSB 20-2 RET)**

يمكنك من خلال زيادة أو تخفيف الضغط على مفتاح التشغيل والإطفاء **7** أن تضبط عدد الدوران/ عدد الطرق دون تدرّيج.

يؤدي الضغط الخفيف مفتاح التشغيل والإطفاء **7** إلى عدد دوران/ عدد طرق منخفض. ويرتفع عدد الدوران/ عدد الطرق بزيادة الضغط.

ضبط عدد الدوران/ عدد الطرق مسبقاً **(GSB 20-2 RE)**

يمكنك بواسطة عجلة ضبط عدد الدوران مسبقاً **8** أن تضبط عدد الدوران/ عدد الطرق المطلوب مسبقاً حتى أثناء التشغيل.

يتعلق عدد الدوران/ عدد الطرق المطلوب بهادة الشغل وبظروف العمل ويمكن التوصل إليه عن طريق التجربة العملية.

ضبط عدد الدوران مسبقاً إلكترونياً

**(GSB 20-2 RCE/GSB 20-2 RET)**

يمكنك بواسطة عجلة ضبط عدد الدوران مسبقاً إلكترونياً **3** أن تضبط عدد الدوران/ عدد الطرق المطلوب مسبقاً حتى أثناء التشغيل.

يتعلق عدد الدوران/ عدد الطرق المطلوب بهادة الشغل وبظروف العمل ويمكن التوصل إليه عن طريق التجربة العملية.

التثبيت الإلكتروني **(GSB 20-2 RCE/GSB 20-2 RET)**

يحافظ التثبيت الإلكتروني على شبه ثبات عدد الدوران/ الدق بين الدوران على الفاضي والتشغيل على حمل.

## التركيب

### المقبض الإضافي (تراجع الصورة A)

استعمل عدتك الكهربائية فقط مع المقبض الإضافي 12.

يمكنك أن تقوم بأرجحة المقبض الإضافي 12 حسب رغبتك لكي تتوصل إلى موقف عمل آمن وقليل الإجهاد.

اقفل قطعة المقبض السفلية بالمقبض الإضافي 12 بعكس اتجاه حركة عقارب الساعة ودور المقبض الإضافي 12 إلى المركز المرغوب. ثم أعد تدوير قطعة المقبض السفلية بالمقبض الإضافي 12 باتجاه حركة عقارب الساعة بإحكام.

### ضبط عمق التنقيب (تراجع الصورة A)

يمكنك بواسطة محدد عمق التنقيب 13 أن تحدد عمق التنقيب X المرغوب.

اضغط على زر ضبط محدد العمق 11 وركب محدد العمق في المقبض الإضافي 12.

اسحب محدد العمق إلى الخارج إلى أن تتوافق مسافة البعد بين رأس لقمة التنقيب ورأس محدد العمق مع عمق التنقيب X المرغوب.

يجب أن تدل الحزوز على محدد العمق 13 إلى الأعلى.

### استبدال العدد

اسحب القابس من مقبس الشبكة الكهربائية قبل إجراء أي عمل على العدة الكهربائية.

### ظرف المثقاب السريع الشد (تراجع الصورة B)

عند عدم الضغط على مفتاح التشغيل والإطفاء 7 يتم تثبيت محور الدوران. ويسمح ذلك باستبدال عدد التشغيل بظرف المثقاب بشكل سريع وسهل ومريح.

افتح ظرف المثقاب السريع الشد 1 من خلال فتله إلى حد يسمح بتركيب العدة. ركب العدة.

اغلق ليبرة ظرف المثقاب السريع الشد 1 بفتلها باتجاه حركة عقارب الساعة بواسطة اليد بقوة إلى حد عدم سماع صوت السقاطة. يتم إقفال ظرف المثقاب خلال ذلك بشكل آلي.

يتم إعادة فك الإقفال عند فتل الليبرة إلى الاتجاه المعاكس من أجل نزع العدة.

### ظرف المثقاب المسنن الطوق (تراجع الصورة C)

⚠ ارتد قفازات واقية عند استبدال العدة. قد يحمي ظرف المثقاب بشدة عند تنفيذ إجراءات العمل لفترة طويلة.

افتح ظرف المثقاب المسنن الطوق 15 من خلال فتله إلى أن تتمكن من تلقيم العدة. ركب العدة.

اغرز مفتاح ظرف المثقاب 14 في الفجوات المخصصة بظرف المثقاب المسنن الطوق 15 واحكم شد العدة بشكل منتظم.

### عدد ربط اللوالب (تراجع الصورة D)

عندما تستخدم لقم ربط اللوالب 16 ينبغي أن تستعمل دائماً حامل لقم عام 17. استخدم فقط لقم ربط اللوالب التي تلائم رأس اللولب.

من أجل ربط اللوالب يركز مفتاح التحويل\* التنقيب/ التنقيب المرفق بالطرق\* 2 دائماً على رمز\* التنقيب\*.

### استبدال ظرف المثقاب

اسحب القابس من مقبس الشبكة الكهربائية قبل إجراء أي عمل على العدة الكهربائية.

يجب أن يتم استبدال ظرف المثقاب بالعدد الكهربائي دون تثبيت لمحور الدوران من قبل مركز خدمة الزبائن بوكالة عدد بوش الكهربائية.

### فك ظرف المثقاب (تراجع الصورة E)

فك المقبض الإضافي وركز مفتاح اختيار ترس السرعة 10 على الوضع المتوسط بين ترس السرعة 1 و 2.

اغرز مسمار فولاذي Ø 4 مم بطول 50 مم تقريباً في الثقب الكائن على عنق محور الدوران من أجل تثبيت محور الدوران.

شد مفتاح الربط السداسي الحواف داخلياً 18 بغيرز ساقه القصيرة في ظرف المثقاب السريع الشد 1.

ضع العدة الكهربائية على قاعدة متينة، مثلاً منضدة شغل. اقبض على العدة الكهربائية بإحكام وحل ظرف المثقاب السريع الشد 1 من خلال فتل مفتاح الربط السداسي الحواف داخلياً 18 بعكس اتجاه حركة عقارب الساعة.

يتم حل ظرف المثقاب السريع الشد المستعص من خلال طريقة خفيفة على الساق الطويلة لمفتاح الربط السداسي الحواف داخلياً 18. انزع مفتاح الربط السداسي الحواف داخلياً عن ظرف المثقاب السريع الشد وفك ظرف المثقاب السريع الشد بشكل كامل من خلال فتله.

### تركيب ظرف المثقاب (تراجع الصورة F)

يتم تركيب ظرف المثقاب السريع الشد بالتسلسل المعاكس.

انزع المسار الفولاذي عن الثقب بعد إنهاء تركيب ظرف المثقاب.

يجب أن يتم شد ظرف المثقاب بعزم دوران شد يتراوح من 35-40 نيوتن متر تقريباً.



14 مفتاح ظرف المثقاب

15 ظرف المثقاب المسنن الطوق

16 لقمة مفك براغي \*

17 حامل اللقم العام \*

18 مفتاح ربط سداسي الحواف داخلياً \*\*

\* بعض التوابع الموجودة في الرسوم أو في الوصف ليست متوفرة في التوريد العادي.

\*\*مداوله (غير مرفقة بنطاق التسليم)

## البيانات الفنية

20-2 RET	20-2 RCE	20-2 RE	20-2 RE	20-2		آلة تنقيب مرفق بالطرق ... GSB PROFESSIONAL
19B 9..	19B 7..	19B 5..	19B 4..	19B 0..	0 601 ...	رقم الصنف
1 010	1 010	800	800	750	واط	القدرة الاسمية المقنية
475	475	420	420	350	واط	القدرة المعطاة
						عدد الدوران اللاهلي
1 100-0	1 100-0	1 100-0	1 100-0	1 100	دقيقة <sup>1</sup>	ترس السرعة ١.
3 000-0	3 000-0	3 000-0	3 000-0	3 000	دقيقة <sup>1</sup>	ترس السرعة ٢.
						عدد الدوران الاسمي
1 100	1 100	740	740	740	دقيقة <sup>1</sup>	ترس السرعة ١.
3 000	3 000	1 930	1 930	1 930	دقيقة <sup>1</sup>	ترس السرعة ٢.
48 000	48 000	48 000	48 000	48 000	دقيقة <sup>1</sup>	عدد الطرق لدى عدد الدوران على الفاخي
1,7/4,3	1,7/4,3	2,1/5,4	2,1/5,4	1,7/4,3	نيوتن متر	عزم الدوران الاسمي (ترس السرعة ٢ / ١)
●	-	-	-	-		تحديد عزم الدوران الكترونياً (تورنك كونترول)
●	●	●	●	-		ضبط عدد الدوران مسبقاً
●	●	-	-	-		الثبيت الالكتروني
●	●	●	●	-		دوران يميني/ يساري
●	●	●	●	●		ترس سرعة ذو درجتين
-	-	-	●	●		ظرف المثقاب المسنن الطوق
●	●	●	-	-		ظرف المثقاب السريع الشد
●	●	●	-	-		تثبيت آلي كامل لمحور الدوران (إفقال آلي)
43	43	43	43	43	مم	Ø عتق محور الدوران
						أقصى Ø التنقيب - (ترس السرعة ٠.١ / ٠.٢)
16/22	16/22	16/22	16/22	16/22	مم	الجدران
13/20	13/20	13/20	13/20	13/20	مم	الخرسانة
8/16	8/16	8/13	8/13	8/13	مم	فولاذ
25/40	25/40	25/40	25/40	25/40	مم	خشب
13-1,5	13-1,5	13-1,5	13-1,5	13-1,5	مم	مجال شد ظرف المثقاب
2,6	2,6	2,5	2,5	2,5	كغ	الوزن حسب EPTA-Procedure 01/2003
II / □	II / □	II / □	II / □	II / □		فئة الوقاية

القيم سارية المفعول للجهود الاسمية 230/240 فولت [U]. قد تتفاوت هذه القيم عندما يقل الجهد عن ذلك أو بطرازات خاصة ببلدان معينة.

يرجى مراعاة رقم الصنف على لافتة طراز عدتك الكهربائية. قد تختلف التسميات التجارية لبعض العدد الكهربائية المفردة.



- e) اعتن بالعدة الكهربائية بشكل جيد. تفحص عما إذا كانت أجزاء الجهاز المتحركة تعمل بشكل سليم وبأنها غير مستعصبة عن الحركة أو إن كانت هناك أجزاء مكسورة أو تالفة لدرجة تؤثر فيها على حسن أداء العدة الكهربائية. ينبغي تصليح هذه الأجزاء التالفة قبل إعادة تشغيل الجهاز. الكثير من الحوادث مصدرها العدد الكهربائية التي تم صيانتها بشكل رديء.
- f) حافظ على إبقاء عدد القطع نظيفة وحادة. إن عدد القطع ذات حواف القطع الحادة التي تم صيانتها بعناية تتكبلش بشكل أقل ويمكن توجيهها بشكل أيسر.
- g) استخدم العدد الكهربائية والتواع وعدد الشغل وإلخ.. حسب هذه التعليمات. تراعى أثناء ذلك شروط الشغل والعمل المراد تنفيذه. استخدام العدد الكهربائية لغير الأشغال المخصصة لأجلها قد يؤدي إلى حدوث الحالات الخطيرة.

## 5) الخدمة

- a) اسمح بتصليح عدتك الكهربائية فقط من قبل العمال المتخصصين و فقط باستعمال قطع الغيار الأصلية. يؤمن ذلك المحافظة على أمان الجهاز.

## وصف العمل

- ◀ استخدم أجهزة تنقيب مناسبة للعثور على خطوط الإمداد المخفية أو استعن بشركة الإمداد المحلية. قد تؤدي ملامسة الخطوط الكهربائية إلى اندلاع النار وإلى الصدمات الكهربائية. إتلاف خط الغاز قد يؤدي إلى حدوث انفجار. اختراق خط الماء يؤدي إلى الأضرار المادية.
- ◀ المس بالعدة الكهربائية من قبل سطوح القبض المعزولة فقط، إن كنت تنفذ الأعمال التي من الجائز أن تصب خلالها عدة الشغل الخطوط الكهربائية المخفية أو كابل الشبكة الكهربائية الخاص بالجهاز. إن ملامسة خطوط يسري بها جهد كهربائي تكهرب الأجزاء المعدنية بالعدة الكهربائية أيضاً وتؤدي إلى صدمة كهربائية.



اقرأ جميع الملاحظات التحذيرية والتعليمات. إن ارتكاب الأخطاء عند تطبيق الملاحظات التحذيرية والتعليمات قد يؤدي إلى الصدمات الكهربائية، إلى نشوب الحرائق و/ أو الإصابة بجروح خطيرة. يرجى فتح الصفحة القابلة للثني والتي تتضمن صور الجهاز وارتكها مفتوحة أثناء قراءة كراسة الاستعمال.

## الاستعمال المخصص

الجهاز مخصص للتنقيب المرفق بالطرق في الطوب والخرسانة والحجر أيضاً لتنقيب الخشب والمعادن والخزف واللدائن. وتصلح الأجهزة المزودة بتحكم الكترولني ودوران يميني/ يساري لربط اللوالب ولقص أسنان اللوالب أيضاً.

## الأجزاء المصورة

يستند ترقيم الأجزاء المصورة إلى رسوم العدة الكهربائية الموجودة في صفحة الرسوم التخطيطية.

- 1 ظرف المثقاب السريع الشد
- 2 مفتاح تحويل "التنقيب/ التنقيب المرفق بالطرق"
- 3 عجلة ضبط عدد الدوران مسبقاً الكترولني (GSB 20-2 RCE/GSB 20-2 RET)
- 4 مفتاح تحويل "ثقب/ ربط لوالب" (GSB 20-2 RET)
- 5 مفتاح تحويل اتجاه الدوران (GSB 20-2 RE/GSB 20-2 RCE/GSB 20-2 RET)
- 6 مقبض لين
- 7 مفتاح التشغيل والإطفاء
- 8 عجلة ضبط عدد الدوران مسبقاً (GSB 20-2 RE)
- 9 زر تثبيت مفتاح التشغيل والإطفاء
- 10 مفتاح اختيار ترس السرعة
- 11 زر ضبط محدد العمق
- 12 مقبض إضافي \*
- 13 محدد العمق \*

## تعليمات أمان خاصة بالجهاز

- ◀ اقبض على العدة الكهربائية أثناء الشغل بكلتا اليدين بإحكام وقف بثبات. يتم توجيه العدة الكهربائية بكلتا اليدين بأمان أكبر.
- ◀ أمن قطعة الشغل. يتم القبض على قطعة الشغل التي تم تثبيتها بواسطة تجهيزه شد أو بواسطة الملزمة بأمان أكبر مما لو تم المسك بها بواسطة يدك.
- ◀ لا تعالج المواد التي تحتوي على الأسبستوس. يعتبر الأسبستوس مسبباً للسرطان.
- ◀ اتخذ إجراءات الأمان إن كان من الجائز أن تنتج الأغبرة المضرّة بالصحة أو القابلة للاحتراق أو الانفجار أثناء الشغل. مثلاً: تعتبر بعض الأغبرة مسببة للسرطان. ارتد قناع للوقاية من الغبار واستخدم شافطة خوائية للغبار أو النشارة إن كان من الممكن أن يتم وصلها.
- ◀ حافظ على نظافة مكان شغلك. إن خلاط المواد شديدة الخطورة. إن أغبرة المعادن الخفيفة قد تشتعل أو تنفجر.
- ◀ انتظر إلى أن تتوقف العدة الكهربائية عن الحركة قبل أن تضعها جانباً. قد تتكبلب عدة الشغل فتؤدي إلى فقدان السيطرة على العدة الكهربائية.
- ◀ لا تستعمل العدة الكهربائية إن كان الكابل الكهربائي تالف. لا تلمس الكابل التالف واسحب قابس الشبكة الكهربائية إن أصيب الكابل بتلف أثناء مزاولة الشغل. تزيد الكابلات الكهربائية التالفة من خطر الإصابة بصدمة كهربائية.
- ◀ صل الأجهزة التي تستعمل في الخارج عبر مفتاح قطع وإق من التيار المتخلف (FI).
- ◀ ارتد واقية للأذنين عند استخدام آلات التنقيب المرفق بالطرق. قد يؤدي تأثير الضجيج إلى فقدان قدرة السمع.
- ◀ استعمل المقابض اليدوية المرسله مع العدة الكهربائية. قد يؤدي فقدان السيطرة على العدة الكهربائية إلى الإصابة بجروح.

## ملاحظات تحذيرية عامة للعدد الكهربائية

### تحذير

اقرأ جميع الملاحظات التحذيرية والتعليمات. إن ارتكاب الأخطاء عند تطبيق الملاحظات التحذيرية والتعليمات قد يؤدي إلى الصدمات الكهربائية، إلى نشوب الحرائق و/ أو الإصابة بجروح خطيرة.

احتفظ بجميع الملاحظات التحذيرية والتعليمات للمستقبل.

يقصد بمصطلح "العدة الكهربائية" المستخدم في الملاحظات التحذيرية، العدد الكهربائي الموصولة بالشبكة الكهربائية (بواسطة كابل الشبكة الكهربائية) وأيضاً العدد الكهربائي المزودة بمرقم (دون كابل الشبكة الكهربائية).

### 1) الأمان بمكان الشغل

**a) حافظ على نظافة وحسن إضاءة مكان شغلك. الفوضى في مكان الشغل ومجالات العمل الغير مضاءة قد تؤدي إلى حدوث الحوادث.**

**b) لا تستعمل بالعدة الكهربائية في محيط معرض لخطر الانفجار والذي تتوفر فيه السوائل أو الغازات أو الأبخرة القابلة للاشتعال. العدد الكهربائي تشكل الشرر الذي قد يتطاير، فيشعل الأبخرة والأبخرة.**

**c) حافظ على بقاء الأطفال وغيرهم من الأشخاص على بعد عندما تستعمل بالعدة الكهربائية. قد تفقد السيطرة على الجهاز عند التلوي.**

### 2) الأمان الكهربائي

**a) يجب أن يتلائم قابس وصل العدة الكهربائية مع المقبس. لا يجوز تغيير القابس بأي حال من الأحوال. لا تستعمل القوابس المهيأة مع العدد الكهربائي المؤرصة تأريض وقائي. تخفّض القوابس التي لم يتمّ تغييرها والمقابس الملائمة من خطر الصدمات الكهربائية.**

**b) تجنب ملامسة السطوح المؤرصة كالأنابيب ورادياتورات التدفئة والمدافع أو البرادات بواسطة جسمك. يزداد خطر الصدمات الكهربائية عندما يكون جسمك مؤرض.**

**c) أبعد العدة الكهربائية عن الأمطار أو الرطوبة. يزداد خطر الصدمات الكهربائية إن تسرب الماء إلى داخل العدة الكهربائية.**

**d) لا تسيء استعمال الكابل لحمل العدة الكهربائية أو لتعليقها أو لسحب القابس من المقبس. حافظ على إبعاد الكابل عن الحرارة والزيت والحواف الحادة أو عن أجزاء الجهاز المتحركة. تزيد الكابلات التالفة أو المشابكة من خطر الصدمات الكهربائية.**

**e) استخدم فقط كابلات التمديد الصالحة للاستعمال الخارجي أيضاً عندما تستعمل بالعدة الكهربائية في الخلاء. يخفض استعمال كابل تمديد مخصص للاستعمال الخارجي من خطر الصدمات الكهربائية.**

**f) إن لم يكن بالإمكان تجنب تشغيل العدة الكهربائية في الأجواء الرطبة، فاستخدم مفتاح للوقاية من التيار المتخلف. إن استخدام مفتاح للوقاية من التيار المتخلف يقلل خطر الصدمات الكهربائية.**

### 3) أمان الأشخاص

**a) كن يقظاً وانته إلى ما تفعله وقم بالعمل بواسطة العدة الكهربائية بتعقل. لا تستخدم عدة كهربائية عندما تكون متعب أو عندما تكون تحت تأثير المخدرات أو الكحول أو الأدوية. عدم الانتباه للحظة واحدة عند استخدام العدة الكهربائية قد يؤدي إلى إصابات خطيرة.**

**b) ارتد عتاد الوقاية الخاص وارتد دائماً نظارات واقية. يجد ارتداء عتاد الوقاية الخاص، كقناع الوقاية من الغبار وأحذية الأمان الواقية من الانزلاق والخوذ أو واقية الأذنين، حسب نوع واستعمال العدة الكهربائية، من خطر الإصابة بجروح.**

**c) تجنب التشغيل بشكل غير مقصود. تأكد من كون العدة الكهربائية مطفأة قبل وصلها بإمداد التيار الكهربائي و/ أو بالمرقم، وقبل رفعها أو حملها. إن كنت تضع إصبعك على المفتاح أثناء حمل العدة الكهربائية أو إن وصلت الجهاز بالشبكة الكهربائية عندما يكون قيد التشغيل، فقد يؤدي ذلك إلى حدوث الحوادث.**

**d) انزع عدد الضبط أو مفتاح الربط قبل تشغيل العدة الكهربائية. قد تؤدي العدة أو المفتاح المتواجد في جزء دوار من الجهاز إلى الإصابة بجروح.**

**e) تجنب أوضاع الجسد الغير طبيعية. قف بأمان وحافظ على توازنك دائماً. سيسمح لك ذلك من السيطرة على الجهاز بشكل أفضل في المواقف الغير متوقعة.**

**f) ارتد ثياب مناسبة. لا ترتد الثياب الفضفاضة أو الحلى. حافظ على إبقاء الشعر والثياب والقفازات على بعد عن أجزاء الجهاز المتحركة. قد تتشابك الثياب الفضفاضة والحلى والشعر الطويل بالأجزاء المتحركة.**

**g) إن جاز تركيب تجهيزات شفت وتجميع الغبار، فتأكد من أنها موصولة وبأنه يتم استخدامها بشكل سليم. قد يقلل استخدام تجهيزات لشفت الأبخرة من المخاطر الناتجة عن الأبخرة.**

### 4) حسن معاملة واستخدام العدد الكهربائي

**a) لا نفرط بتحميل الجهاز. استخدم لتنفيذ أشغالك العدة الكهربائية المخصصة لذلك. إنك تعمل بشكل أفضل وأكثر أماناً بواسطة العدة الكهربائية الملائمة في مجال الأداء المذكور.**

**b) لا تستخدم العدة الكهربائية إن كان مفتاح تشغيلها تالف. العدة الكهربائية التي لم تعد تسمح بتشغيلها أو بإطفاؤها خطيرة ويجب أن يتمّ تصليحها.**

**c) اسحب القابس من المقبس و/ أو انزع المرهم قبل ضبط الجهاز وقبل استبدال قطع التوايح أو قبل وضع الجهاز جانباً. تمنع إجراءات الاحتياط هذه تشغيل العدة الكهربائية بشكل غير مقصود.**

**d) احتفظ بالعدد الكهربائي التي لا يتم استخدامها بعيداً عن منال الأطفال. لا تسمح باستخدام العدة الكهربائية لمن لا خبرة له بها أو لمن لم يقرأ تلك التعليمات. العدد الكهربائي خطيرة إن تم استخدامها من قبل أشخاص دون خبرة.**

## الکترونیک ثابت (GSR 20-2 RCE/GSR 20-2 RET)

الکترونیک تثبیت کننده دور انتخاب شده برای چرخش و ضربه را بین حالت خلاص و کار خت فشار تقریباً ثابت نگهدارند.

## محدوده کننده الکترونیک گشتاور / انتخاب شدت حرکت موتور (GSR 20-2 RET) (Torque Control)

برای مته کاری همراه با انتخاب دور موتور باید دکمه تبدیل مته کاری به پیچکاری 4 را روی علامت مته کاری قرار دهید. با چرخک 3 میتوانید دور موتور را بطور دلخواه و حتی در حال انجام کار نیز انتخاب کرد.



برای پیچ کردن همراه با انتخاب گشتاور باید دکمه تبدیل مته کاری به پیچکاری 4 را روی علامت مته کاری قرار دهید. با چرخک 3 میتوانید نیروی گشتاور وارد شده بر محور دریل را بطور دلخواه و حتی در حال انجام کار نیز انتخاب کرد:



ا گشتاور پایین، III گشتاور بالا. حداکثر دور موتور بطور اتومات خود را با گشتاور انتخاب شده وفق میدهد.

اگر هنگام پیچاری دستگاه به گشتاور انتخاب شده برسد. این دستگاه برقی از کار می افتد. در صورتیکه فشار روی دستگاه برقی کمتر شده و دکمه قطع و وصل 7 همچنان فشرده باشد. ابزار قرار گرفته روی دستگاه به دلایل ایمنی فقط با دور پایین موتور کار خواهد کرد. بعد از رها کردن کوتاه مدت دکمه قطع و وصل 7 میتوان پیچ بعدی را با همان گشتاور قبلی سفت کرد.

برای پیچ کردن بدون محدود کننده گشتاور باید چرخک 3 را تا آخر به سمت راست بپیچانید. این تنظیم موقعی لازم است که گشتاور در وضعیت III به اندازه کافی نباشد.



## راهنمایی های عملی

دستگاه الکتریکی را تنها در حالت خاموش بودن روی مهره و یا پیچ قرار دهید.

### پیشنهاد های مفید

بعد از مدتی کار با دور پایین باید دستگاه برقی را برای سرد شدن به مدت حداقل ۳ دقیقه با بالاترین دور موتور به کار اندازید.

برای سوراخ کردن کاشی دکمه تبدیل 2 را روی علامت مته کاری قرار دهید. بعد از سوراخ کردن کاشی دکمه تبدیل را روی علامت مته کاری ضربه ای قرار داده و با ضربه کار کنید.

برای کار روی بتون. مواد سنگی و دیوار از مته های فلز سخت استفاده کنید.

برای مته کاری در فلزات فقط از مته های سالم و تیز نوع HSS (فولاد پر قدرت برش سریع) استفاده کنید. کاتالوگ ابزار اضافی شرکت بوش تضمین کننده بهترین کیفیت ابزار میباشد.

به کمک وسیله تیز کننده مته (وسیله اضافی) میتوان مته های شیاردار را با قطر 10 - 2,5 میلیمتر به آسانی نیز کنید.

## دستگیره نرم

سطح تماس دست با دستگیره 6 دستگیره نرم از لغزش دست جلوگیری کرده و باعث میشود که بتوانید دستگاه را بهتر نگه داشته و بر آن مسلط باشید. لاستیک دستگیره ضمناً شدت از تعاش دستگاه را کم میکند.

## تعمیر و سرویس

### تعمیر و تمیز کردن دستگاه

قبل از انجام هرگونه کاری روی دستگاه دوشاخه را از برق بکشید. برای انجام کار مطمئن، دستگاه الکتریکی و منافذ تهویه آنرا تمیز نگهدارید.

در صورتیکه دستگاه با وجود دقت زیادی که در مرحله تولید و کنترل صورت گرفته است. از کار بیفتد. باید برای تعمیر آن به به یک تعمیرگاه مجاز دستگاه های بوش مراجعه کنید.

برای هرگونه سؤال و یا سفارش ابزار اضافی تماماً شماره ده رقمی سفارش کالا را مطابق برجسب روی دستگاه اطلاع دهید.

### سرویس و خدمات

برای دریافت تصاویر و اطلاعات بیشتر رجوع شود به سایت:

[www.bosch-pt.com](http://www.bosch-pt.com)

برای استفاده از ضمانت، تعمیر دستگاه و تهیه ابزاریدکی فقط به فروشنده متخصص مراجعه کنید.

### دفع دستگاه

دستگاه الکتریکی، بسته بندی و لوازم اضافی آن باید طبق مقررات محیط زیست دفع شوند.

حق هرگونه تغییری محفوظ است.

## کار با دستگاه

### راه اندازی

به ولتاژ شبکه برق توجه کنید. برق موجود در شبکه باید با اندازه های ذکر شده روی برجسب دستگاه مساوی باشد.

**تنظیم جهت حرکت نگاه کنید به عکس های (G-H) (GSB 20-2 RE/GSB 20-2 RCE/GSB 20-2 RET)**

دکمه تغییر جهت حرکت را **5** فقط در صورت خاموش بودن دستگاه فعال کنید.

با دکمه تبدیل جهت حرکت **5** میتوانید جهت حرکت الکتریکی را عوض کنید. ولی در صورتیکه دکمه قطع و وصل فشرده باشد. **7** این کار مکن نیست.

حرکت به سمت راست: برای سوراخ کردن و همچنین پیچاندن پیچ ها باید دکمه تبدیل جهت حرکت **5** را در سمت چپ به طرف پایین فشار داده و همزمان در سمت راست به طرف بالا بکشید.

حرکت به سمت چپ: برای شل و یا بازکردن پیچ ها باید دکمه تبدیل جهت حرکت **5** را در سمت چپ به طرف بالا فشار داده و همزمان در سمت راست به طرف پایین بکشید.

### انتخاب نوع کار

#### سوراخ کردن و پیچکاری

دکمه تبدیل جهت حرکت **2** را روی علامت مته کاری قرار دهید.

#### سوراخ کردن ضربه ای

دکمه مبدل **2** را روی علامت «سوراخ کردن و سوراخ کردن ضربه ای» قرار دهید.


دکمه مبدل **2** بطور محسوس جا می افتد و میتواند در حال حرکت دستگاه نیز فعال شود.

### انتخاب مکانیکی دنده

شما میتوانید دکمه انتخاب دنده **10** را در حالت خاموش بودن دستگاه و یا در حالت حرکت دستگاه فعال کنید. ولی این کار نباید موقعی انجام شود که دستگاه تحت فشار کامل قرار داشته و یا حداکثر دور موتور کار می کند.

با دکمه انتخاب دنده **10** میتوان دور موتور را در دو حالت انتخاب کرد.

#### دور پایین موتور:

**1**  **2** برای ایجاد سوراخهای دارای قطر زیاد و یا برای پیچاندن پیچ.

#### دور بالای موتور:

**1**  **2** برای ایجاد سوراخهای دارای قطر کم.

در صورتیکه دکمه انتخاب دنده **10** نتوان تا نقطه گیرچرخاند. میله محرک را با مته کمی بچرخانید.

### روشن و خاموش کردن دستگاه

برای روشن کردن دستگاه سوئیچ قطع و وصل **7** را فشار داده و آنرا در حالت فشرده نگهدارید.

برای تثبیت دکمه فشرده قطع و وصل **7** باید دکمه تثبیت کننده را فشار دهید **9**.

برای اینکه دستگاه الکتریکی خاموش شود دکمه قطع و وصل **7** را رها کنید و اگر با دکمه تثبیت **9** ثابت مانده باشد. دکمه قطع و وصل **7** را کمی فشار داده و آنرا دوباره رها کنید.

### وسیله جلوگیری از فشار زیاد

برای محدود کردن واکنش های خطرناک. این دستگاه برقی مجهز به کلاچ جلوگیری از فشار زیاد (وسیله ضد چرخش) می باشد.



در صورتیکه ابزار روی کار قفل کرده و یا در قطعه گیر کند. قدرت انتقال حرکت به میله محور قطع خواهد شد. با هر دو دست، بواسطه نیروی های محرکه موتور دستگاه را محکم گرفته و محل مطمئنی برای خود انتخاب کنید.

در صورتیکه ابزار روی دستگاه بلوکه کند. دستگاه را خاموش کرده و ابزار را از روی دستگاه بردارید. در صورتیکه ابزار روی دستگاه بلوکه باشد و شما دستگاه را روشن کنید. واکنش های شدیدی ایجاد خواهد شد.

### تنظیم دور موتور و تعداد ضربه ها

**(GSB 20-2 RE/GSB 20-2 RCE/GSB 20-2 RET)**

در اثر زیاد و یا کم کردن فشار روی روی دکمه قطع و وصل **7** میتوانید شدت دور موتور و تعداد ضربه ها را بطور دلخواه تنظیم کنید.

فشار آرام روی دکمه قطع و وصل **7** شدت دور موتور و تعداد ضربه ها را کم می کند. افزایش فشار باعث افزایش شدت دور موتور و تعداد ضربه ها میشود.

### انتخاب دور موتور و تعداد ضربات (GSB 20-2 RE)

با چرخک انتخاب دور موتور **8** میتوانید شدت دور موتور و تعداد ضربه های لازم را در حال حرکت دستگاه نیز تنظیم کرد.

میزان چرخش و تعداد ضربه ها به نوع ماده و شرایط کار بستگی داشته و در تجربه عملی بدست می آید.

### انتخاب دور الکترونیکی موتور

**(GSB 20-2 RCE/GSB 20-2 RET)**

با چرخک انتخاب دور الکترونیکی موتور **3** میتوان شدت دور موتور و تعداد ضربه را در حال کار نیز انتخاب کرد.

میزان چرخش و تعداد ضربه ها به نوع ماده و شرایط کار بستگی داشته و در تجربه عملی بدست می آید.

## نصب

### دستگیره اضافی (نگاه کنید به تصویر A)

از این دستگاه الکتریکی فقط همراه با دستگیره اضافی 12 استفاده کنید.

شما میتوانید دستگیره اضافی 12 را به اندازه دخواه بچرخانید. بطوریکه در وضعیتی خوبی کار کرده و کمتر خسته شوید.

بخش انتهائی جای دست در دستگیره اضافی 12 را برخلاف جهت حرکت عقربه ساعت چرخانده و دستگیره اضافی 12 را بطرف جهت مطلوب بچرخانید. بعد از آن بخش انتهائی جای دست در دستگیره اضافی 12 را در جهت حرکت عقربه ساعت دوباره محکم کنید.

### تنظیم عمق سوراخ (نگاه کنید به تصویر A)

به کمک محدودکننده عمق سوراخ 13 میتوان عمق مطلوب سوراخ X را تعیین کرد.

دکمه تعیین عمق سوراخ را فشار داده 11 و محدودکننده عمق سوراخ را در دستگیره اضافی 12 قرار دهید.

محدودکننده عمق سوراخ را آنقدر بیرون آورید که فاصله بین سر مته و سر محدود کننده عمق سوراخ با عمق مورد نظر شما X مساوی باشد.

قسمت دندان دار میله تعیین عمق 13 باید به طرف بالا باشد.

### تعویض ابزار

قبل از انجام هرگونه کاری روی دستگاه دوشاخه را از برق بکشید.

### صفحه نظام مته گیر سریع (نگاه کنید به تصویر B)

در صورتیکه دکمه قطع و وصل 7 تحت فشار نباشد. محور دریل قفل میشود. این جریان باعث میشود که بتوان ابزار روی صفحه نظام را سریع. راحت و آسان عوض کرد.

صفحه نظام مته گیر سریع 1 را با چرخش آنقدر باز کنید. تا بتوان ابزار را در آن قرار داد. ابزار را نصب کنید.

بوش صفحه نظام مته گیر سریع 1 را در جهت حرکت عقربه ساعت با دست بطور محکم بچرخانید. بطوریکه صدایی به عنوان علامت چرخش بیش از حد شنیده نشود. صفحه نظام در این حالت بطور اتومات قفل میشود.

قفل هنگامی باز میشود. که بخواهید برای برداشتن ابزار بوش را در جهت مخالف بچرخانید.

### صفحه نظام تاج دندان ای (نگاه کنید به تصویر C)

برای تعویض ابزار از دستکش ایمنی استفاده کنید. صفحه نظام ممکن است در اثر کار طولانی بیش از حد گرم شود.

صفحه نظام تاج دندان ای را باز کنید 15 یا چرخاندن آن. بطوریکه بتوان ابزار را قرار داد. ابزار را قرار دهید.

آچار صفحه نظام 14 را در سوراخ های مربوطه قرار داده 15 و ابزار را بطور مساوی سفت کنید.

### ابزار پیچاندن (نگاه کنید به تصویر D)

هنگام استفاده از بیت پیچ 16 باید همیشه از یک نگهدارنده اونیورسال بیت 17 استفاده کنید. تنها از بیت هایی استفاده کنید که با اندازه ته پیچ مناسب باشند.

برای پیچاندن پیچ باید دکمه تبدیل بین مته کاری و پیچاری 2 را روی علامت مته کاری قرار دهید.

### تعویض صفحه نظام

قبل از انجام هرگونه کاری روی دستگاه دوشاخه را از برق بکشید.

دستگاه های برقی که فاقد امکان قفل کردن محور مته کاری می باشند. باید صفحه نظام آنها توسط نمایندگی مجاز دستگاه های الکتریکی بوش تعویض شود.

### باز کردن صفحه نظام (نگاه کنید به تصویر E)

دستگیره اضافی را باز کرده 10 و دکمه تبدیل دنده را در حالت وسط بین دنده 1 و 2 قرار دهید.

یک میله فولادی به قطر 4 میلیمتر و طول تقریباً 50 میلیمتر در سوراخ گردن محور وارد کنید. تا محور دریل قفل شود.

یک آچار شش گوش داخلی 18 یک آچار شش گوش داخلی را از طریق میله کوتاه آن در صفحه نظام مته گیر سریع 1 وارد کنید.

دستگاه الکتریکی را روی یک زمینه نرم. مثلاً میزکار قرار دهید.

دستگاه برقی را محکم گرفته و صفحه نظام مته گیر سریع 1 را

به کمک آچار شش گوش داخلی 18 در جهت خلاف عقربه ساعت

باز کنید. در صورتیکه صفحه نظام مته گیر سریع سفت شده باشد.

میتواند با وارد کردن ضربه آرامی روی میله بلند آچار شش گوش داخلی


18 باز شود. آچار شش گوش داخلی را از صفحه نظام مته گیر سریع

خارج کرده و آنرا بطور کامل باز کنید.

### نصب صفحه نظام (نگاه کنید به تصویر F)

برای نصب صفحه نظام مته گیر سریع باید بطور معکوس عمل کنید.

بعد از تمام شدن نصب صفحه نظام میله فولادی را دوباره از سوراخ بیرون بیاورید.

سه نظام باید با یک محکم کننده گشتاور تقریباً از 35-40 Nm محکم شود. 

## مشخصات فنی

20-2 RET	20-2 RCE	20-2 RE	20-2 RE	20-2		دستگاه دریل ضربه ای ... GSB PROFESSIONAL
19B 9..	19B 7..	19B 5..	19B 4..	19B 0..	0 601 ...	شماره سفارش
1 010	1 010	800	800	750	W	قدرت ورودی اسمی
475	475	420	420	350	W	قدرت خروجی
						دور دستگاه در حالت خلاص
1 100-0	1 100-0	1 100-0	1 100-0	1 100	min <sup>-1</sup>	دنده ۱
3 000-0	3 000-0	3 000-0	3 000-0	3 000	min <sup>-1</sup>	دنده ۲
						تعداد چرخش اسمی
1 100	1 100	740	740	740	min <sup>-1</sup>	دنده ۱
3 000	3 000	1 930	1 930	1 930	min <sup>-1</sup>	دنده ۲
48 000	48 000	48 000	48 000	48 000	min <sup>-1</sup>	شدت ضربه در حالت خلاص
1,7/ 4,3	1,7/ 4,3	2,1/ 5,4	2,1/ 5,4	1,7/ 4,3	Nm	گشتاور اسمی دنده ۱ و ۲
●	-	-	-	-		محدود کننده الکترونیک گشتاور (Torque Control)
●	●	●	●	-		انتخاب دور موتور
●	●	-	-	-		الکترونیک ثابت
●	●	●	●	-		چپ/راست
●	●	●	●	●		استفاده از دو دنده مختلف
-	-	-	●	●		صفحه نظام تاج دندانه ای
●	●	●	-	-		صفحه نظام مته گیر سریع
●	●	●	-	-		ضامن کاملاً اتوماتیک محور (Auto-Lock)
43	43	43	43	43	mm	قطر لوله محور Ø
						حداکثر قطر سوراخ (دنده ۱ و ۲)
16/22	16/22	16/22	16/22	16/22	mm	دیوار
13/20	13/20	13/20	13/20	13/20	mm	بتون
8/16	8/16	8/13	8/13	8/13	mm	فولاد
25/40	25/40	25/40	25/40	25/40	mm	چوب
13-1,5	13-1,5	13-1,5	13-1,5	13-1,5	mm	حداکثر قطر سوراخ صفحه نظام
2,6	2,6	2,5	2,5	2,5	kg	وزن مطابق استاندارد EPTA شماره 01/2003
II/□	II/□	II/□	II/□	II/□		پایه ایمنی

اندازه های داده شده برای ولتاژ اسمی (U) 230/240 V میباشند این اندازه ها ممکن است در ولتاژ های کمتر و دستگاه های ساخته شده برای کشورهای خاص تغییر کنند.

لطفاً به شماره سفارش روی دستگاه توجه کنید. نام جاری دستگاه ها ممکن است متفاوت باشد.

## طرز کار دستگاه

همه دستورات ایمنی و راهنمایی‌ها را مراعات کنید. اشتباهات ناشی از عدم توجه به این دستورات ممکن است باعث شوک الکتریکی، سوختگی و باسایر جراحات‌های شدید شود.



لطفاً صفحه ناشو کتابچه را که حاوی تصویر دستگاه است، باز کنید و هنگام خواندن کتابچه آنرا باز نگهدارید.

### موارد استفاده از دستگاه

این دستگاه برای سوراخ کردن چکشی در آجر، بتون، سنگ، و همچنین سوراخ کردن چوب، فلزات، سرامیک و مواد پلاستیکی مناسب است. دستگاه‌های مجهز به تنظیم الکترونیکی و امکان حرکت به راست و چپ، برای پیچاندن پیچ و ایجاد شیار در مهره نیز مناسب می‌باشند.

### اجزاء مصور دستگاه

شماره‌های اجزاء مصور دستگاه مربوط می‌شود به تصویر دستگاه در قسمت عکس‌ها.

- 1 صفحه نظام مته گیر سریع
- 2 دکمه تبدیل بین سوراخ کردن و سوراخ کردن ضربه ای
- 3 چرخک انتخاب دور الکترونیک  
(GSA 20-2 RCE/GSA 20-2 RET)
- 4 دکمه تبدیل بین مته کاری و پیچکاری (GSA 20-2 RET)
- 5 چرخک انتخاب جهت حرکت  
(GSA 20-2 RE/GSA 20-2 RCE/GSA 20-2 RET)
- 6 دستگیره نرم
- 7 سویچ قطع و وصل
- 8 چرخک انتخاب دور موتور (GSA 20-2 RE)
- 9 دکمه تثبیت سویچ قطع و وصل دستگاه
- 10 دکمه انتخاب دنده
- 11 دکمه تعیین عمق سوراخ
- 12 دستگیره اضافی\*
- 13 محدودکننده عمق سوراخ\*
- 14 آچار صفحه نظام
- 15 صفحه نظام تاج دندان‌ها ای
- 16 بیت پیچ\*
- 17 نگهدارنده اونیورسال بیت‌ها\*
- 18 آچار شش گوش داخلی\*\*

\* وسایل اضافی که در تصاویر و متن آمده است، همیشه با دستگاه عرضه نمی‌شود.

\*\* قابل خرید در بازار (همراه با دستگاه تحویل داده نمی‌شود)

#### 4 استفاده درست از دستگاه برقی و کار مناسب با آن

### راهنمایی های ایمنی برای این دستگاه

دستگاه الکتریکی را هنگام کار با هردو دست محکم گرفته و جایگاه مطمئنی برای خود انتخاب کنید. دستگاه الکتریکی را با دودست بهتر میتوان بکار گرفت.

قطعه کار را محکم کنید. در صورتیکه قطعه کار به وسیله نگهدارنده و یا گیره محکم شده باشد. مطمئن تر نگه داشته میشود. تا با دست.

از کار کردن روی مواد آسیبست دار خودداری کنید. آسیبست سرطان زا می باشد.

در صورتیکه هنگام کارگرد و غبارهای ناسالم. قابل احتراق و یا انفجار ایجاد شود. باید اقدامات پیشگیرنده ای را انجام دهید. مثال: بعضی از گرد و غبارها سرطان زا می باشند. در اینصورت باید از ماسک ایمنی استفاده کرده و در صورت امکان تکنیکی از دستگاه مکش گرد و یا خاکه اره استفاده کنید.

محل کار تانرا تمیز نگهدارید. مخلوط شدن مواد خیلی خطرناک است. گرد و غبار فلزات سبک ممکن است آتش گرفته و یا انفجار ایجاد کند.

قبل از کنار گذاشتن دستگاه صبر کنید تا دستگاه الکتریکی از کار بایستد. ابزار قرار گرفته روی دستگاه ممکن است به قطعه کار گیر کرده و کنترل دستگاه الکتریکی از دست شما خارج شود.

در صورتیکه کابل دستگاه الکتریکی آسیب دیده باشد. از آن استفاده نکنید. از دست زدن به کابل آسیب دیده خود داری کرده و در صورت آسیب دیدن آن در حال کار آنرا از برق بکشید. کابل های معیوب خطر ضربه الکتریکی را افزایش میدهند.

در صورتیکه از دستگاه های الکتریکی در محیط باز استفاده میکنید. آنرا به یک سوئیچ حفاظت در برابر خطای الکتریکی FI مجهز کنید.

هنگام استفاده از دریل ضربه ای از گواشی ایمنی استفاده کنید. صدای بلند میتواند به شنوائی شما لطمه وارد کند.

از دستگیره اضافی که همراه دستگاه خواب داده میشود. استفاده کنید. از دست دادن کنترل شما روی دستگاه ممکن است. باعث ایجاد جراحت گردد.

برای پیدا کردن لوله ها و سیم های موجود در دیوار از یک دستگاه فلزیاب مناسب استفاده کرده و یا با شرکت های خدماتی مربوطه تماس بگیرید. تماس با کابل برق ممکن است باعث آتشنسوزی و یا ضربه الکتریکی شود. معیوب بودن لوله گاز میتواند انفجار ایجاد کرده و سوراخ شدن لوله آب باعث ایجاد خسارت میشود.

در صورتیکه زیر سطح دیوار سیم های برق غیر قابل رؤیت وجود داشته و یا خطر برخورد دستگاه با کابل آن پیش آید. باید دستگاه الکتریکی را فقط از دستگیره عایق آن بگیرید. تماس سیم برق با قسمت های فلزی. دستگاه را تحت فشار برق قرار داده و باعث ضربه الکتریکی میشود

(a) از وارد کردن فشار زیاد روی دستگاه خود داری کنید. برای هر کاری از دستگاه مناسب با آن استفاده کنید. بکار گرفتن دستگاه برقی مناسب باعث میشود که بتوانید از توان دستگاه بهتر و با اطمینان بیشتر استفاده کنید.

(b) در صورت معیوب بودن سوئیچ قطع و وصل دستگاه. از آن استفاده نکنید. دستگاه هایی که نمیتوان آنها را قطع و وصل کرد. خطرناک بوده و باید تعمیر شوند.

(c) قبل از تنظیم دستگاه. تعویض وسایل اضافی و یا کنار گذاشتن آن. موشاخه را از برق کشیده و یا باتری آنرا خارج کنید. رعایت این دستورات ایمنی از راه افتادن ناخواسته دستگاه الکتریکی جلوگیری میکند.

(d) دستگاه را در صورت عدم استفاده از دسترس کودکان دور نگهدارید. اجازه ندهید که افراد نا وارد و یا اشخاصی که این جزوه را نخوانده اند. با این دستگاه کار کنند. کار کردن افراد نا وارد با دستگاه های الکتریکی و کسانیکه دستورالعمل آنرا نخوانده اند خطرناک است. قرار گرفتن دستگاه های برقی در دست افراد نا وارد خطرناک است.

(e) از دستگاه الکتریکی خوب مراقبت کنید. مواظب باشید که قسمت های متحرک دستگاه خوب کار کرده و گیر نکند. همچنین دقت کنید که قطعات دستگاه الکتریکی شکسته و یا آسیب دیده نباشند. قطعات معیوب را قبل از شروع به کار تعمیر کنید. علت بسیاری از سوانح کاری عدم مراقبت کامل از دستگاه های الکتریکی میباشد.

(f) ابزار برش را تمیز و تمیز نگه دارید. ابزار برشی که خوب مراقبت شده و از لبه های تیز برخوردارند. کمتر در قطعه کار گیر کرده و بهتر قابل هدایت میباشد.

(g) دستگاه های الکتریکی. ابزار اضافی. ابزار قرار گرفته روی دستگاه و غیره را مطابق دستورات این جزوه طوری به کار گیرید که با مدل این دستگاه تناسب داشته باشند. همچنین به شرایط کاری و نوع کار توجه کنید. کار برد دستگاه های الکتریکی برای کارهایی که این دستگاه برای آنها در نظر گرفته نشده است. میتواند باعث ایجاد خطر شود.

#### 5 سرویس

(a) برای تعمیر دستگاه الکتریکی فقط به متخصصین حرفه ای رجوع کرده و از وسایل بدکی اصل استفاده کنید. این باعث خواهد شد که ایمنی دستگاه شما تضمین گردد.



## راهنمایی های ایمنی عمومی برای دستگاه های برقی

### توجه

همه دستورات ایمنی و راهنمایی ها را مراعات

کنید. اشتباهات ناشی از عدم توجه به این

دستورات ممکن است باعث شوک الکتریکی، سوختگی و یاسایر جراحات های شدید شود.

همه هشدار های ایمنی و راهنمایی ها را برای آینده خوب نگهداری کنید.

هرجا در این راهنما از «دستگاه الکتریکی» صحبت میشود، منظور دستگاه های الکتریکی (باسیم برق) و یا دستگاه های الکتریکی باطری دار (بدون سیم برق) می باشد.

### 1 ایمنی محل کار

(a) محل کارتان را تمیز و مرتب نگهدارید. محیط کار نا مرتب و کم نور میتواند باعث سوانح کاری شود.

(b) با دستگاه برقی در محیط هایی که در آن خطر انفجار وجود داشته و حاوی مایعات، گازها و غبارهای محترقه باشد، کار نکنید. دستگاه های الکتریکی جرقه هایی ایجاد میکنند که میتوانند باعث آتش گرفتن گرد و بخارهای موجود در هوا شوند.

(c) هنگام کار، کودکان و افراد غریبه را از دستگاه دور نگهدارید. در صورتیکه حواس شما پرت شود، ممکن است کنترل دستگاه از دست شما خارج شود.

### 2 ایمنی الکتریکی

(a) دوشاخه دستگاه باید با پریز برق تناسب داشته باشد. هیچگونه تغییری در دوشاخه ندهید. مبدل دوشاخه نباید همراه با دستگاه های دارای اتصال به زمین (ارت شده) استفاده شود. دوشاخه های تغییر داده نشده و پریز برق های مناسب خطر شوک الکتریکی را کم میکنند.

(b) از تماس بدنی با قطعات دارای سیم اتصال به زمین (ارت شده) مانند لوله، شوفاز، اجاق برقی و یخچال خود داری کنید. در صورتیکه بدن شما با سیم ارت شده تماس پیدا کند، خطر شوک الکتریکی بیشتر خواهد شد.

(c) دستگاه را از باران و رطوبت دور نگهدارید. نفوذ آب به دستگاه برقی خطر شوک الکتریکی را افزایش میدهد.

(d) از سیم دستگاه برای کارهایی چون حمل دستگاه الکتریکی، آویزان کردن آن و یا خارج کردن دوشاخه از برق استفاده نکنید. کابل دستگاه را در مقابل حرارت، روغن، لبه های تیز و بخش های متحرک دستگاه دور نگهدارید. کابل های معیوب و یا گره خورده خطر شوک الکتریکی را افزایش میدهد.

(e) در صورتیکه با دستگاه الکتریکی در محیط باز کار میکنید، تنها از کابل رابطی استفاده کنید که برای محیط باز نیز مناسب می باشد. کابل های مناسب برای محیط باز خطر شوک الکتریکی را کم میکنند.

(f) در صورتیکه مجبورید در محیط مرطوب کار کنید.

در اینصورت باید از یک سویچ جلوگیری از خطای الکتریکی استفاده کنید. استفاده از سویچ جلوگیری از خطای الکتریکی خطر شوک الکتریکی را کمتر میکند.

### 3 رعایت ایمنی اشخاص

(a) حواس خود را خوب جمع کنید. به کار خود دقت کنید و با فکر و هوش کامل با دستگاه الکتریکی کار کنید. در صورت خسته بوده و یا در صورتیکه مواد مخدره، الکل و دارو استفاده کرده اید، با دستگاه الکتریکی کار نکنید. یک لحظه بی توجهی هنگام کار با دستگاه الکتریکی میتواند جراحات های شدیدی به همراه داشته باشد.

(b) از وسایل ایمنی مانند ماسک ضد غبار و کفش های ایمنی استفاده کنید. استفاده از ماسک ایمنی، کفش های ضدلغزش، کلاه خود و گوشی ایمنی متناسب با نوع کار با دستگاه برقی خطر جراحات را تقلیل میدهد.

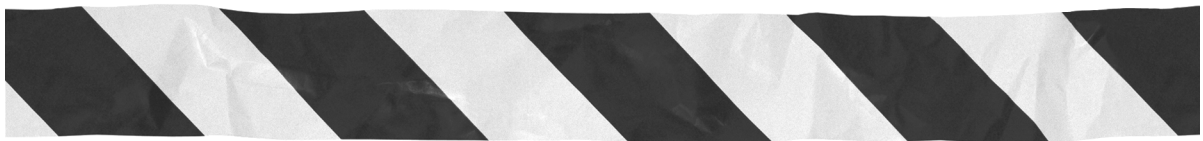
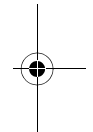
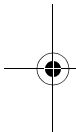
(c) مواظب باشید که دستگاه بطور ناخواسته بکار نیفتد. قبل از وارد کردن دوشاخه در پریز برق، اتصال آن به باطری، برداشتن و یا حمل آن، باید دقت کنید که سویچ دستگاه الکتریکی روی حالت (خاموش) قرار داشته باشد. در صورتیکه هنگام حمل دستگاه انگشتتان روی دکمه قطع و وصل باشد و یا دستگاه را در حالت روشن به برق بزنید، ممکن است سوانح کاری پیش آید.

(d) قبل از اتصال دستگاه الکتریکی به برق باید همه ابزار تنظیم کننده و آچارها را از روی دستگاه بردارید. ابزار و آچارهایی که روی بخش های چرخنده دستگاه قرار دارند، میتوانند باعث ایجاد جراحات شود.

(e) وضعیت بدن شما باید در حالت نرمالی باشد. برای کار جای مطمئنی برای خود انتخاب کرده و تعادل خود را همواره حفظ کنید. به این ترتیب میتوانید دستگاه را در وضعیت های غیر منتظره بهتر تحت کنترل داشته باشید.

(f) لباس مناسب بپوشید. از پوشیدن لباس های فراخ و حمل زینت آلات خود داری کنید. موها، لباس و دستکش هارا از بخش های در حال چرخش دستگاه دور نگهدارید. لباس های فراخ، موی بلند و زینت آلات ممکن است در قسمت های در حال چرخش دستگاه گیر کنند.

(g) در صورتیکه میتوانید وسایل مکش غبار و یا وسیله جذب زائده را به دستگاه نصب کنید، باید مطمئن شوید که این وسایل نصب شده و درست استفاده میشوند. استفاده از وسیله مکش غبار مصونیت شما را در برابر گرد و غبار زیاد تر میکند.



**BOSCH**

Robert Bosch GmbH  
Power Tools Division  
70745 Leinfelden-Echterdingen  
[www.bosch-pt.com](http://www.bosch-pt.com)

2 609 932 503 (06.01) O / 74

