



November 1994

LMC6024 Low Power CMOS Quad Operational Amplifier

## LMC6024 Low Power CMOS Quad Operational Amplifier

### General Description

The LMC6024 is a CMOS quad operational amplifier which can operate from either a single supply or dual supplies. Its performance features include an input common-mode range that reaches  $V^-$ , low input bias current and voltage gain (into 100 k $\Omega$  and 5 k $\Omega$  loads) that is equal to or better than widely accepted bipolar equivalents, while the power supply requirement is less than 1 mW.

This chip is built with National's advanced Double-Poly Silicon-Gate CMOS process.

See the LMC6022 datasheet for a CMOS dual operational amplifier with these same features.

### Features

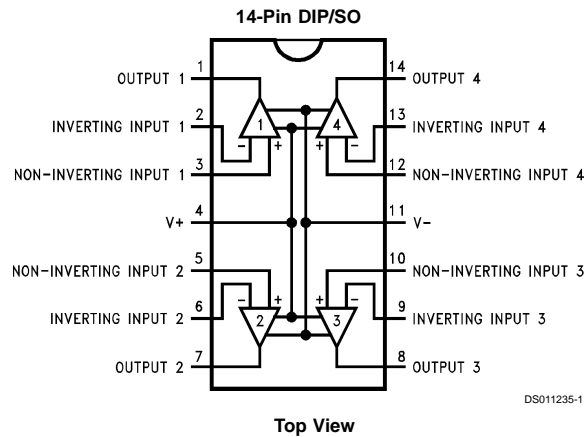
- Specified for 100 k $\Omega$  and 5 k $\Omega$  loads
- High voltage gain 120 dB
- Low offset voltage drift 2.5  $\mu\text{V}/^\circ\text{C}$

- Ultra low input bias current 40 fA
- Input common-mode range includes  $V^-$
- Operating range from +5V to +15V supply
- Low distortion 0.01% at 1 kHz
- Slow rate 0.11 V/ $\mu\text{s}$
- Micropower operation 1 mW

### Applications

- High-impedance buffer or preamplifier
- Current-to-voltage converter
- Long-term integrator
- Sample-and-hold circuit
- Peak detector
- Medical instrumentation
- Industrial controls

### Connection Diagram



### Ordering Information

Temperature Range	Package	NSC Drawing	Transport Media
Industrial -40°C ≤ T <sub>J</sub> ≤ +85°C			
LMC6024IN	14-Pin Molded DIP	N14A	Rail
LMC6024IM	14-Pin Small Outline	M14A	Rail Tape and Reel

## Absolute Maximum Ratings (Note 1)

If Military/Aerospace specified devices are required, please contact the National Semiconductor Sales Office/Distributors for availability and specifications.

Differential Input Voltage	±Supply Voltage
Supply Voltage ( $V^+ - V^-$ )	16V
Lead Temperature	
(Soldering, 10 sec.)	260°C
Storage Temperature Range	-65°C to +150°C
Voltage at Output/Input Pin	( $V^+$ ) + 0.3V, ( $V^-$ ) - 0.3V
Current at Input Pin	±5 mA
Current at Output Pin	±18 mA
Current at Power Supply Pin	35 mA
Output Short Circuit to $V^+$	(Note 12)

Output Short Circuit to $V^-$	(Note 2)
Junction Temperature	150°C
ESD Tolerance (Note 4)	1000V
Power Dissipation	(Note 3)

## Operating Ratings

Temperature Range	-40°C ≤ $T_J$ ≤ +85°C
Supply Voltage Range	4.75V to 15.5V
Power Dissipation	(Note 10)
Thermal Resistance ( $\theta_{JA}$ ), (Note 11)	
14-Pin DIP	85°C/W
14-Pin SO	115°C/W

## DC Electrical Characteristics

The following specifications apply for  $V^+ = 5V$ ,  $V^- = 0V$ ,  $V_{CM} = 1.5V$ ,  $V_O = 2.5V$ , and  $R_L = 1M$  unless otherwise noted. **Bold-face** limits apply at the temperature extremes; all other limits  $T_J = 25^\circ C$ .

Symbol	Parameter	Conditions	Typical (Note 5)	LMC6024I Limit (Note 6)	Units
$V_{OS}$	Input Offset Voltage		1	9 <b>11</b>	mV Max
$\Delta V_{OS}/\Delta T$	Input Offset Voltage Average Drift		2.5		$\mu V/^\circ C$
$I_B$	Input Bias Current		0.04	<b>200</b>	pA Max
$I_{OS}$	Input Offset Current		0.01	<b>100</b>	pA Max
$R_{IN}$	Input Resistance		>1		Tera $\Omega$
CMRR	Common Mode Rejection Ratio	$0V \leq V_{CM} \leq 12V$ $V^+ = 15V$	83	63 <b>61</b>	dB Min
+PSRR	Positive Power Supply Rejection Ratio	$5V \leq V^+ \leq 15V$	83	63 <b>61</b>	dB Min
-PSRR	Negative Power Supply Rejection Ratio	$0V \leq V^- \leq -10V$	94	74 <b>73</b>	dB Min
$V_{CM}$	Input Common-Mode Voltage Range	$V^+ = 5V$ and $15V$ For CMRR ≥ 50 DB	-0.4	-0.1 <b>0</b>	V Max
			$V^+ - 1.9$	$V^+ - 2.3$ <b><math>V^+ - 2.5</math></b>	V Min
$A_V$	Large Signal Voltage Gain	$R_L = 100 k\Omega$ (Note 7) Sourcing Sinking	1000 500	200 90 <b>40</b>	V/mV Min V/mV Min
		$R_L = 5 k\Omega$ (Note 7) Sourcing Sinking	1000 250	100 50 <b>20</b>	V/mV Min V/mV Min

## DC Electrical Characteristics (Continued)

The following specifications apply for  $V^+ = 5V$ ,  $V^- = 0V$ ,  $V_{CM} = 1.5V$ ,  $V_O = 2.5V$ , and  $R_L = 1M$  unless otherwise noted. **Bold-face** limits apply at the temperature extremes; all other limits  $T_J = 25^\circ C$ .

Symbol	Parameter	Conditions	Typical (Note 5)	LMC6024I Limit (Note 6)	Units		
$V_O$	Output Voltage Swing	$V^+ = 5V$ $R_L = 100\text{ k}\Omega$ to $2.5V$	4.987	4.40	V		
			0.004	<b>4.43</b> 0.06 <b>0.09</b>	Min V Max		
		$V^+ = 5V$ $R_L = 5\text{ k}\Omega$ to $2.5V$	4.940	4.20	V		
			0.040	<b>4.00</b> 0.25 <b>0.35</b>	Min V Max		
		$V^+ = 15V$ $R_L = 100\text{ k}\Omega$ to $7.5V$	14.970	14.00	V		
			0.007	<b>13.90</b> 0.06 <b>0.09</b>	Min V Max		
		$V^+ = 15V$ $R_L = 5\text{ k}\Omega$ to $7.5V$	14.840	13.70	V		
			0.110	<b>13.50</b> 0.32 <b>0.40</b>	Min V Max		
		$I_O$	Output Current	$V^+ = 5V$ Sourcing, $V_O = 0V$ Sinking $V_O = 5V$ (Note 2)	22	13	mA
					21	<b>9</b> 13 <b>9</b>	Min mA Min
$V^+ = 15V$ Sourcing, $V_O = 0V$ Sinking, $V_O = 13V$ (Note 12)	40			23	mA		
	39			<b>15</b> 23 <b>15</b>	Min mA Min		
Supply Current	All Four Amplifiers $V_O = 1.5V$			160	240	$\mu A$	
					<b>280</b>	Max	

## AC Electrical Characteristics

The following specifications apply for  $V^+ = 5V$ ,  $V^- = 0V$ ,  $V_{CM} = 1.5V$ ,  $V_O = 2.5V$ , and  $R_L = 1M$  unless otherwise noted. **Bold-face** limits apply at the temperature extremes; all other limits  $T_J = 25^\circ C$ .

Symbol	Parameter	Conditions	Typical (Note 5)	LMC6024I Limit (Note 6)	Units
SR	Slew Rate	(Note 8)	0.11	0.05 <b>0.03</b>	V/ $\mu$ s Min
GBW	Gain-Bandwidth Product		0.35		MHz
$\theta_M$	Phase Margin		50		Deg
$G_M$	Gain Margin		17		dB
	Amp-to-Amp Isolation	(Note 9)	130		dB
$e_n$	Input-Referred Voltage Noise	F = 1 kHz	42		nV/ $\sqrt{Hz}$
$i_n$	Input-Referred Current Noise	F = 1 kHz	0.0002		pA/ $\sqrt{Hz}$

**Note 1:** Absolute Maximum Ratings indicate limits beyond which damage to the component may occur. Operating Ratings indicate conditions for which the device is intended to be functional, but do not guarantee specific performance limits. For guaranteed specifications and test conditions, see the Electrical Characteristics. The guaranteed specifications apply only for the test conditions listed.

**Note 2:** Applies to both single-supply and split-supply operation. Continuous short circuit operation at elevated ambient temperature and/or multiple Op Amp shorts can result in exceeding the maximum allowed junction temperature of  $150^\circ C$ . Output currents in excess of  $\pm 30$  mA over long term may adversely affect reliability.

**Note 3:** The maximum power dissipation is a function of  $T_{J(max)}$ ,  $\theta_{JA}$ , and  $T_A$ . The maximum allowable power dissipation at any ambient temperature is  $P_D = (T_{J(max)} - T_A)/\theta_{JA}$ .

**Note 4:** Human body model, 100 pF discharge through a 1.5 k $\Omega$  resistor.

**Note 5:** Typical values represent the most likely parametric norm.

**Note 6:** All limits are guaranteed by testing or correlation.

**Note 7:**  $V^+ = 15V$ ,  $V_{CM} = 7.5V$ , and  $R_L$  connected to 7.5V. For Sourcing tests,  $7.5V \leq V_O \leq 11.5V$ . For Sinking tests,  $2.5V \leq V_O \leq 7.5V$ .

**Note 8:**  $V^+ = 15V$ . Connected as Voltage Follower with 10V step input. Number specified is the slower of the positive and negative slew rates.

**Note 9:** Input referred,  $V^+ = 15V$  and  $R_L = 100$  k $\Omega$  connected to 7.5V. Each amp excited in turn with 1 kHz to produce  $V_O = 13$  V<sub>PP</sub>.

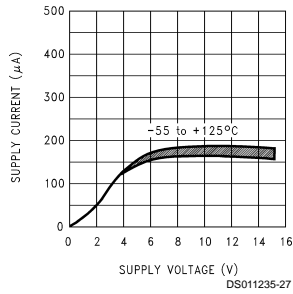
**Note 10:** For operating at elevated temperatures the device must be derated based on the thermal resistance  $\theta_{JA}$  with  $P_D = (T_J - T_A)/\theta_{JA}$ .

**Note 11:** All numbers apply for packages soldered directly into a PC board.

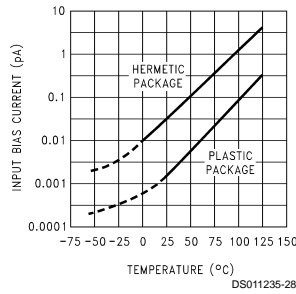
**Note 12:** Do not connect output to  $V^+$  when  $V^+$  is greater than 13V or reliability may be adversely affected.

# Typical Performance Characteristics $V_S = \pm 7.5V$ , $T_A = 25^\circ C$ unless otherwise specified

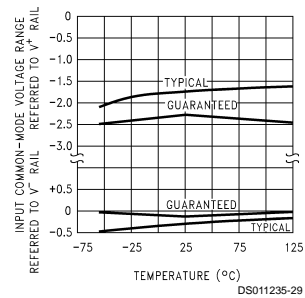
**Supply Current vs Supply Voltage**



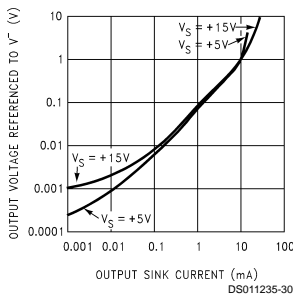
**Input Bias Current vs Temperature**



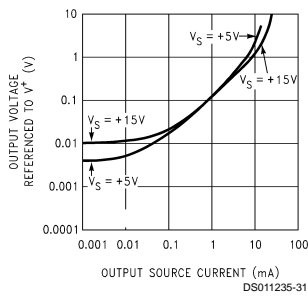
**Common-Mode Voltage Range vs Temperature**



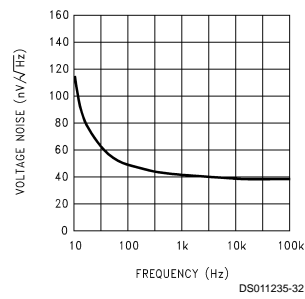
**Output Characteristics Current Sinking**



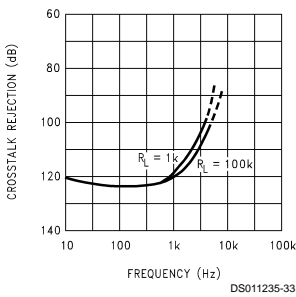
**Output Characteristics Current Sourcing**



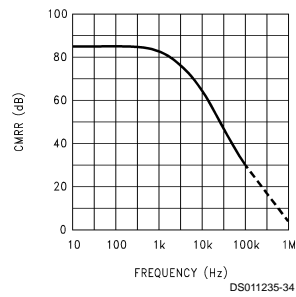
**Input Voltage Noise vs Frequency**



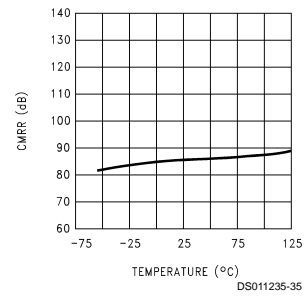
**Crosstalk Rejection vs Frequency**



**CMRR vs Frequency**

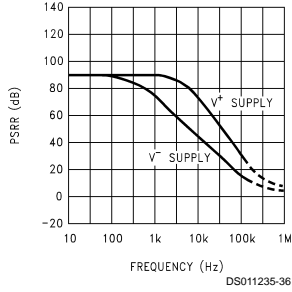


**CMRR vs Temperature**

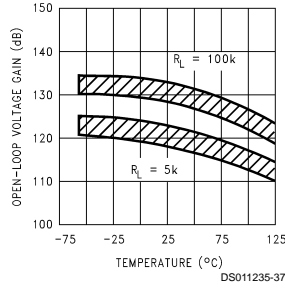


**Typical Performance Characteristics**  $V_S = \pm 7.5V$ ,  $T_A = 25^\circ C$  unless otherwise specified (Continued)

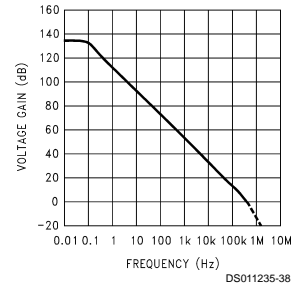
**Power Supply Rejection Ratio vs Frequency**



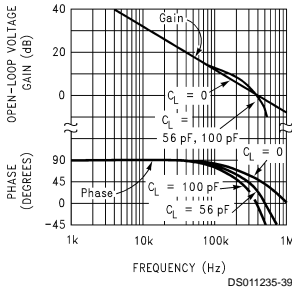
**Open-Loop Voltage Gain vs Temperature**



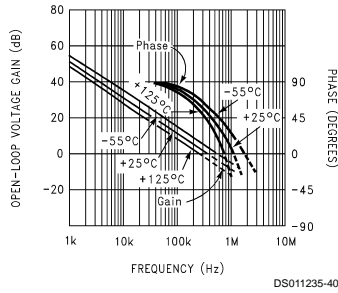
**Open-Loop Frequency Response**



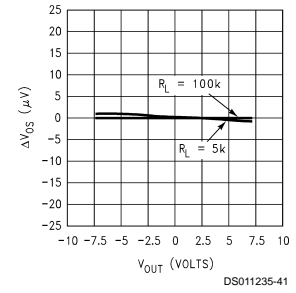
**Gain and Phase Responses vs Load Capacitance**



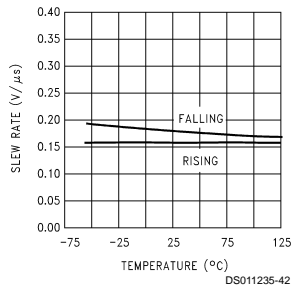
**Gain and Phase Responses vs Temperature**



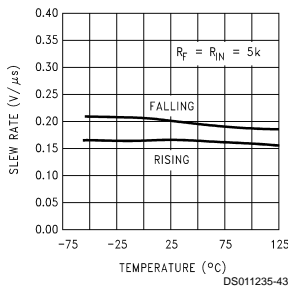
**Gain Error ( $V_{OS}$  vs  $V_{OUT}$ )**



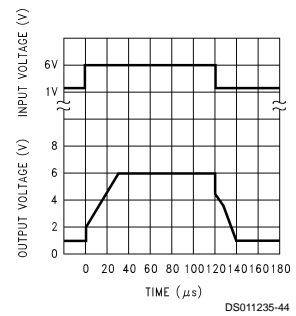
**Non-Inverting Slew Rate vs Temperature**



**Inverting Slew Rate vs Temperature**

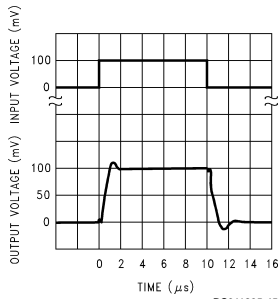


**Large-Signal Pulse Non-Inverting Response ( $A_V = +1$ )**



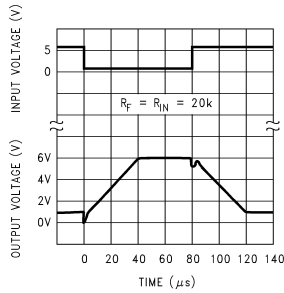
**Typical Performance Characteristics**  $V_S = \pm 7.5V$ ,  $T_A = 25^\circ C$  unless otherwise specified (Continued)

**Non-Inverting Small Signal Pulse Response ( $A_V = +1$ )**



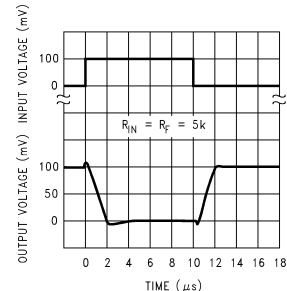
DS011235-45

**Inverting Large-Signal Pulse Response**



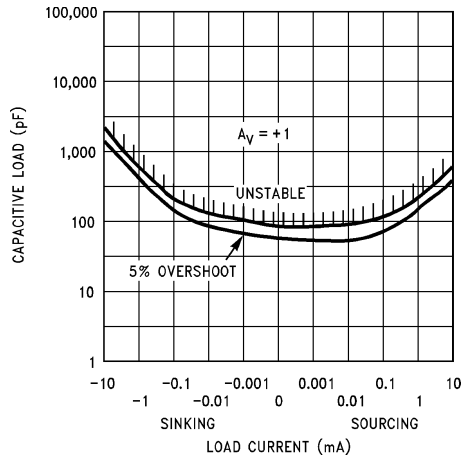
DS011235-46

**Inverting Small-Signal Pulse Response**



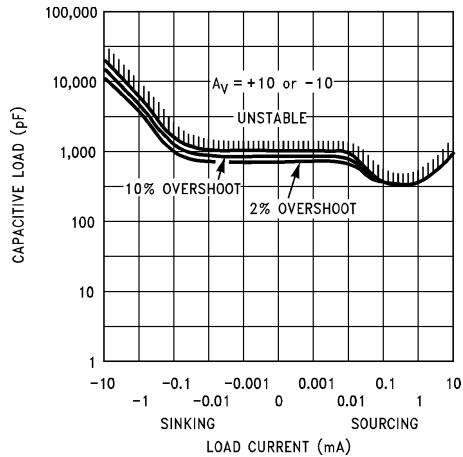
DS011235-47

**Stability vs Capacitive Load**



DS011235-4

**Stability vs Capacitive Load**



DS011235-5

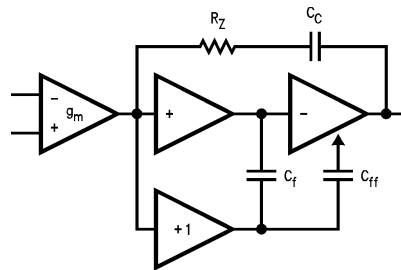
**Note 13:** Avoid resistive loads of less than  $500\Omega$ , as they may cause instability.

**Application Hints**

**AMPLIFIER TOPOLOGY**

The topology chosen for the LMC6024 is unconventional (compared to general-purpose op amps) in that the traditional unity-gain buffer output stage is not used; instead, the output is taken directly from the output of the integrator, to allow rail-to-rail output swing. Since the buffer traditionally delivers the power to the load, while maintaining high op amp gain and stability, and must withstand shorts to either rail, these tasks now fall to the integrator.

As a result of these demands, the integrator is a compound affair with an embedded gain stage that is doubly fed forward (via  $C_f$  and  $C_{ff}$ ) by a dedicated unity-gain compensation driver. In addition, the output portion of the integrator is a push-pull configuration for delivering heavy loads. While sinking current the whole amplifier path consists of three gain stages with one stage fed forward, whereas while sourcing the path contains four gain stages with two fed forward.



DS011235-6

**FIGURE 1. LMC6024 Circuit Topology (Each Amplifier)**

The large signal voltage gain while sourcing is comparable to traditional bipolar op amps, for load resistance of at least  $5k\Omega$ . The gain while sinking is higher than most CMOS op amps, due to the additional gain stage; however, when driv-

## Application Hints (Continued)

ing load resistance of 5 k $\Omega$  or less, the gain will be reduced as indicated in the Electrical Characteristics. The op amp can drive load resistance as low as 500 $\Omega$  without instability.

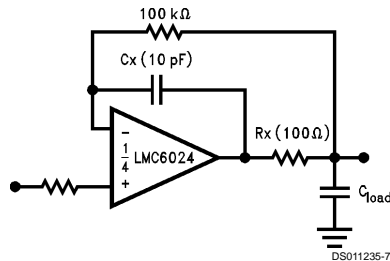
### COMPENSATING INPUT CAPACITANCE

Refer to the LMC660 or LMC662 datasheets to determine whether or not a feedback capacitor will be necessary for compensation and what the value of that capacitor would be.

### CAPACITIVE LOAD TOLERANCE

Like many other op amps, the LMC6024 may oscillate when its applied load appears capacitive. The threshold of oscillation varies both with load and circuit gain. The configuration most sensitive to oscillation is a unity-gain follower. See the Typical Performance Characteristics.

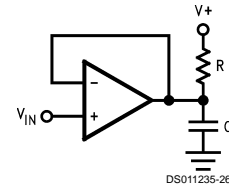
The load capacitance interacts with the op amp's output resistance to create an additional pole. If this pole frequency is sufficiently low, it will degrade the op amp's phase margin so that the amplifier is no longer stable at low gains. The addition of a small resistor (50 $\Omega$  to 100 $\Omega$ ) in series with the op amp's output, and a capacitor (5 pF to 10 pF) from inverting input to output pins, returns the phase margin to a safe value without interfering with lower-frequency circuit operation. Thus, larger values of capacitance can be tolerated without oscillation. Note that in all cases, the output will ring heavily when the load capacitance is near the threshold for oscillation.



**FIGURE 2. Rx, Cx Improve Capacitive Load Tolerance**

Capacitive load driving capability is enhanced by using a pull up resistor to V<sup>+</sup> *Figure 3*. Typically a pull up resistor conducting 50  $\mu$ A or more will significantly improve capacitive load responses. The value of the pull up resistor must be determined based on the current sinking capability of the ampli-

fier with respect to the desired output swing. Open loop gain of the amplifier can also be affected by the pull up resistor (see Electrical Characteristics).



**FIGURE 3. Compensating for Large Capacitive Loads with a Pull Up Resistor**

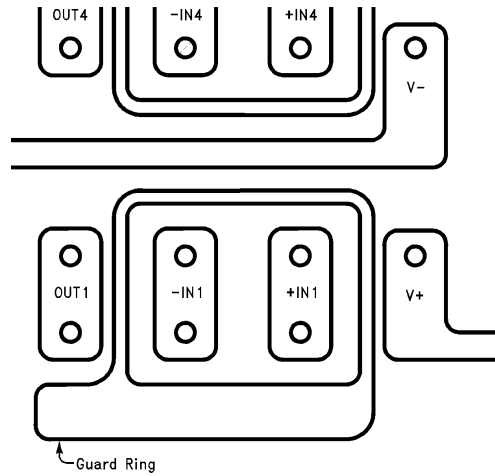
### PRINTED-CIRCUIT-BOARD LAYOUT FOR HIGH-IMPEDANCE WORK

It is generally recognized that any circuit which must operate with less than 1000 pA of leakage current requires special layout of the PC board. When one wishes to take advantage of the ultra-low bias current of the LMC6024, typically less than 0.04 pA, it is essential to have an excellent layout. Fortunately, the techniques for obtaining low leakages are quite simple. First, the user must not ignore the surface leakage of the PC board, even though it may sometimes appear acceptably low, because under conditions of high humidity or dust or contamination, the surface leakage will be appreciable.

To minimize the effect of any surface leakage, lay out a ring of foil completely surrounding the LMC6024's inputs and the terminals of capacitors, diodes, conductors, resistors, relay terminals, etc. connected to the op-amp's inputs. See *Figure 4*. To have a significant effect, guard rings should be placed on both the top and bottom of the PC board. This PC foil must then be connected to a voltage which is at the same voltage as the amplifier inputs, since no leakage current can flow between two points at the same potential. For example, a PC board trace-to-pad resistance of 10<sup>12</sup> ohms, which is normally considered a very large resistance, could leak 5 pA if the trace were a 5V bus adjacent to the pad of an input. This would cause a 100 times degradation from the LMC6024's actual performance. However, if a guard ring is held within 5 mV of the inputs, then even a resistance of 10<sup>11</sup> ohms would cause only 0.05 pA of leakage current, or perhaps a minor (2:1) degradation of the amplifier's performance. See *Figure 5a*, *Figure 5b*, *Figure 5c* for typical connections of guard rings for standard op-amp configurations. If both inputs are active and at high impedance, the guard can be tied to ground and still provide some protection; see *Figure 5d*.

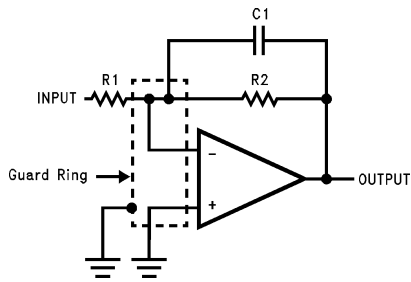


**Application Hints** (Continued)



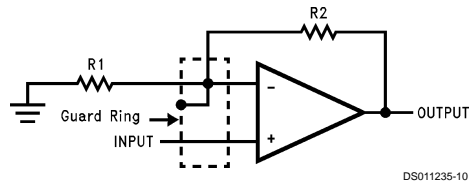
DS011235-8

**FIGURE 4. Example of Guard Ring in P.C. Board Layout (Using the LMC6024)**



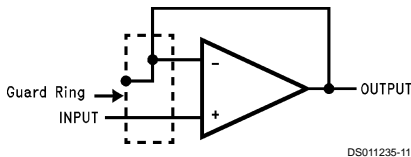
DS011235-9

**(a) Inverting Amplifier**



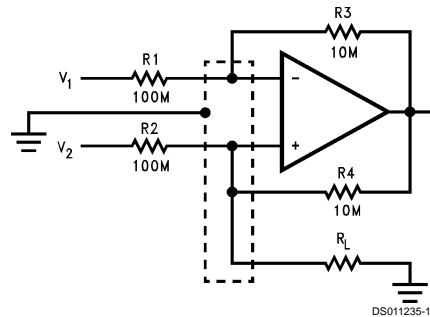
DS011235-10

**(b) Non-Inverting Amplifier**



DS011235-11

**(c) Follower**



DS011235-12

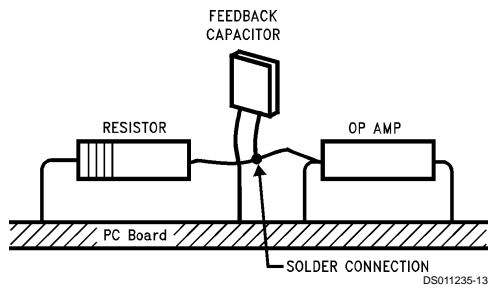
**(d) Howland Current Pump**

**FIGURE 5. Guard Ring Connections**

The designer should be aware that when it is inappropriate to lay out a PC board for the sake of just a few circuits, there is another technique which is even better than a guard ring on a PC board: Don't insert the amplifier's input pin into the board at all, but bend it up in the air and use only air as an insulator. Air is an excellent insulator. In this case you may have to forego some of the advantages of PC board con-

struction, but the advantages are sometimes well worth the effort of using point-to-point up-in-the-air wiring. See *Figure 6*.

## Application Hints (Continued)



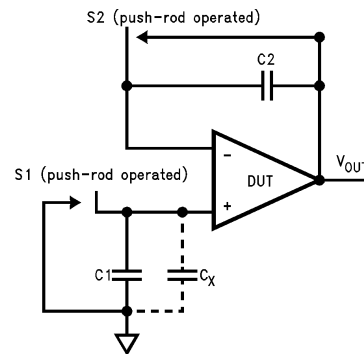
(Input pins are lifted out of PC board and soldered directly to components. All other pins connected to PC board.)

**FIGURE 6. Air Wiring**

### BIAS CURRENT TESTING

The test method of *Figure 7* is appropriate for bench-testing bias current with reasonable accuracy. To understand its operation, first close switch S2 momentarily. When S2 is opened, then

$$I^- = \frac{dV_{OUT}}{dt} \times C2.$$



**FIGURE 7. Simple Input Bias Current Test Circuit**

A suitable capacitor for C2 would be a 5 pF or 10 pF silver mica, NPO ceramic, or air-dielectric. When determining the magnitude of  $I^-$ , the leakage of the capacitor and socket must be taken into account. Switch S2 should be left shorted most of the time, or else the dielectric absorption of the capacitor C2 could cause errors.

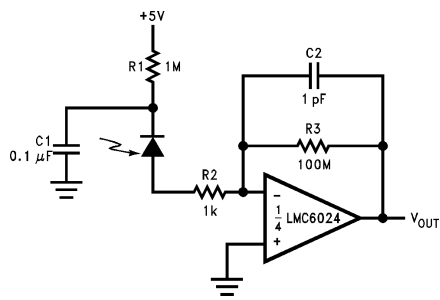
Similarly, if S1 is shorted momentarily (while leaving S2 shorted)

$$I^+ = \frac{dV_{OUT}}{dt} \times (C1 + C_x)$$

where  $C_x$  is the stray capacitance at the +input.

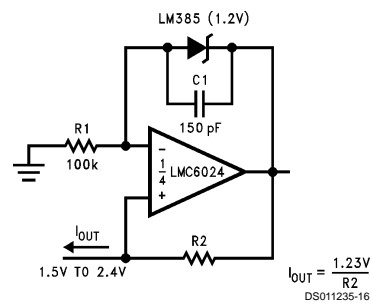
## Typical Single-Supply Applications $(V^+ = 5.0 V_{DC})$

### Photodiode Current-to-Voltage Converter



**Note 14:** A 5V bias on the photodiode can cut its capacitance by a factor of 2 or 3, leading to improved response and lower noise. However, this bias on the photodiode will cause photodiode leakage (also known as its dark current).

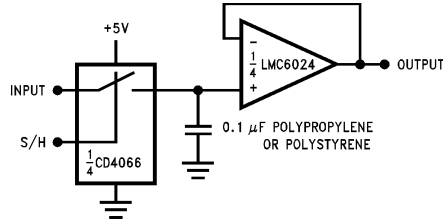
### Micropower Current Source



(Upper limit of output range dictated by input common-mode range; lower limit dictated by minimum current requirement of LM385.)

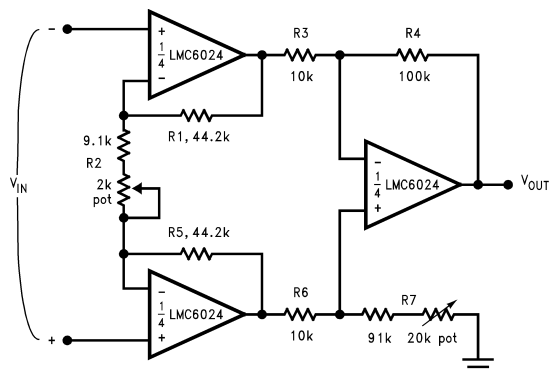
## Typical Single-Supply Applications (V<sup>+</sup> = 5.0 V<sub>DC</sub>) (Continued)

### Low-Leakage Sample-and-Hold



DS011235-17

### Instrumentation Amplifier



DS011235-18

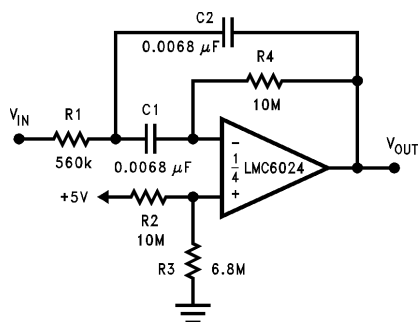
If  $R_1 = R_5$ ,  $R_3 = R_6$ , and  $R_4 = R_7$ ;  
Then

$$\frac{V_{OUT}}{V_{IN}} = \frac{R_2 + 2R_1}{R_2} \times \frac{R_4}{R_3}$$

∴  $A_v = 100$  for circuit shown.

For good CMRR over temperature, low drift resistors should be used. Matching of  $R_3$  to  $R_6$  and  $R_4$  to  $R_7$  affects CMRR. Gain may be adjusted through  $R_7$ . CMRR may be adjusted through  $R_7$ .

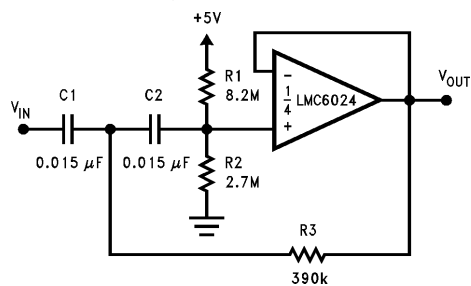
### 10 Hz Bandpass Filter



DS011235-19

$f_c = 10$  Hz  
 $Q = 2.1$   
Gain = -8.8

### 10 Hz High-Pass Filter (2 dB Dip)

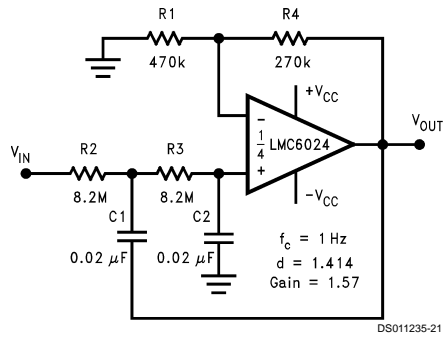


DS011235-20

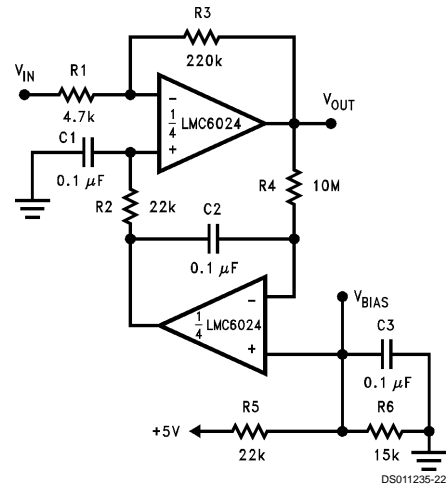
$f_c = 10$  Hz  
 $d = 0.895$   
Gain = 1

## Typical Single-Supply Applications ( $V^+ = 5.0 V_{DC}$ ) (Continued)

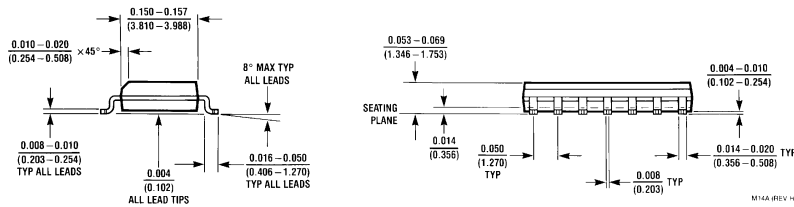
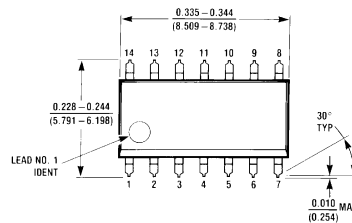
**1 Hz Low-Pass Filter (Maximally Flat, Dual Supply Only)**



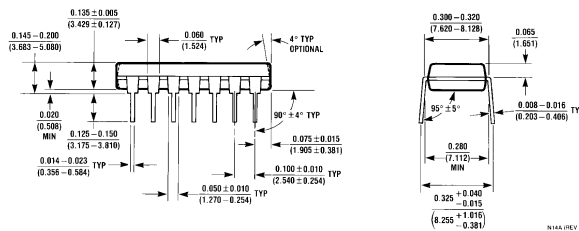
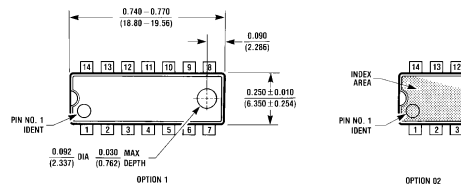
**High Gain Amplifier with Offset Voltage Reduction**



**Physical Dimensions** inches (millimeters) unless otherwise noted



**14-Pin Small Outline Molded Package (M)**  
**Order Number LMC6024IM**  
**NS Package Number M14A**



**14-Pin Molded Dual-In-Line Package (N)**  
**Order Number LMC6024IN**  
**NS Package Number N14A**

**LIFE SUPPORT POLICY**

NATIONAL'S PRODUCTS ARE NOT AUTHORIZED FOR USE AS CRITICAL COMPONENTS IN LIFE SUPPORT DEVICES OR SYSTEMS WITHOUT THE EXPRESS WRITTEN APPROVAL OF THE PRESIDENT OF NATIONAL SEMICONDUCTOR CORPORATION. As used herein:

1. Life support devices or systems are devices or systems which, (a) are intended for surgical implant into the body, or (b) support or sustain life, and whose failure to perform when properly used in accordance with instructions for use provided in the labeling, can be reasonably expected to result in a significant injury to the user.
2. A critical component is any component of a life support device or system whose failure to perform can be reasonably expected to cause the failure of the life support device or system, or to affect its safety or effectiveness.



**National Semiconductor Corporation**  
Americas  
Tel: 1-800-272-9959  
Fax: 1-800-737-7018  
Email: support@nsc.com

[www.national.com](http://www.national.com)

**National Semiconductor Europe**  
Fax: +49 (0) 1 80-530 85 86  
Email: europe.support@nsc.com  
Deutsch Tel: +49 (0) 1 80-530 85 85  
English Tel: +49 (0) 1 80-532 78 32  
Français Tel: +49 (0) 1 80-532 93 58  
Italiano Tel: +49 (0) 1 80-534 16 80

**National Semiconductor Asia Pacific Customer Response Group**  
Tel: 65-2544466  
Fax: 65-2504466  
Email: sea.support@nsc.com

**National Semiconductor Japan Ltd.**  
Tel: 81-3-5639-7560  
Fax: 81-3-5639-7507