



德國寶油煙機

**GPR-V600**

**GPR-V700**

**GPR-V900**

**GPR-W600**

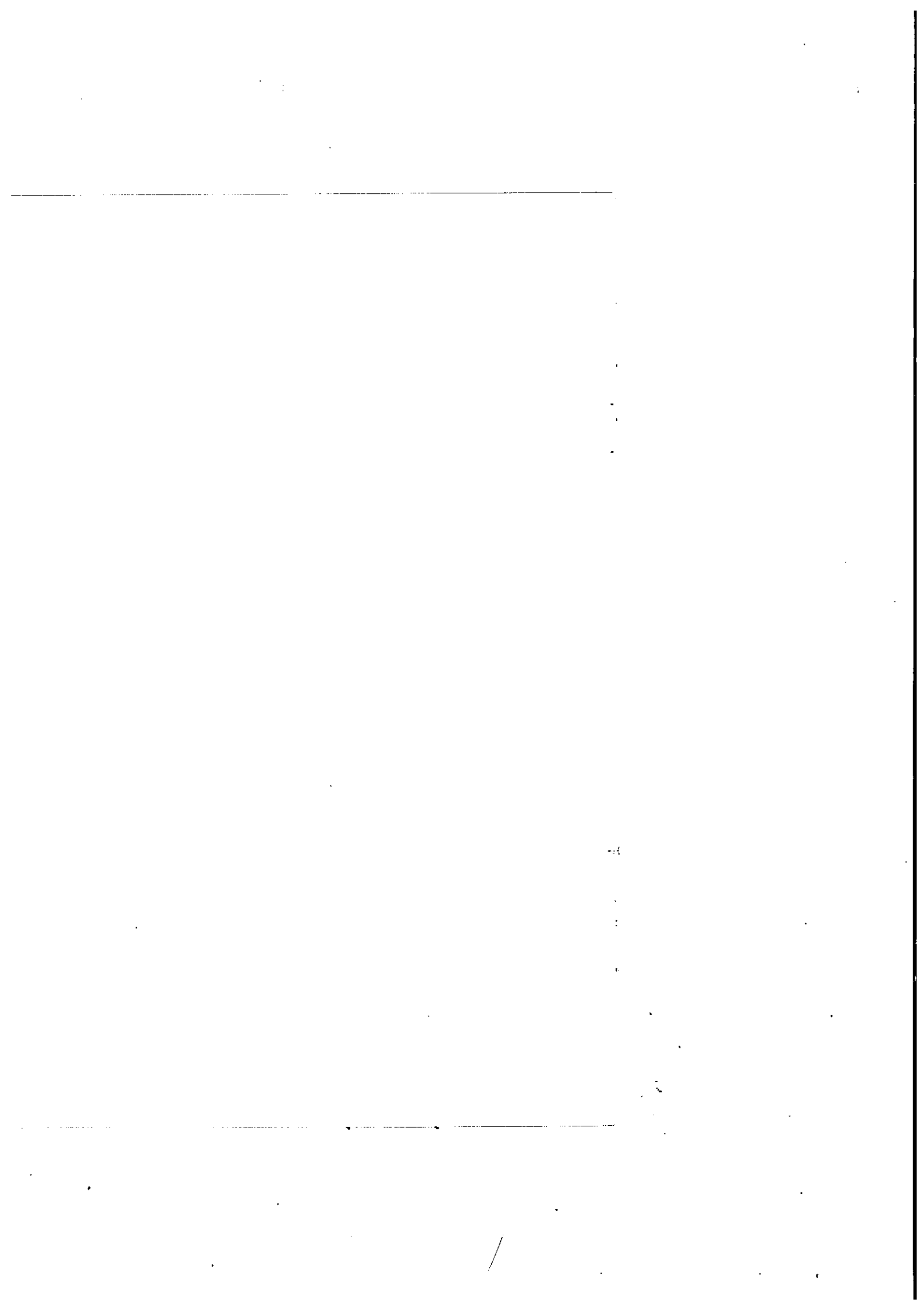
**GPR-W700**

**GPR-W900**

**COOKERHOOD**

**OWNER'S MANUAL**

安裝使用說明書



## INSTRUCTIONS FOR INSTALLATION, MAINTENANCE AND USE

### **GENERAL INDICATIONS**

Before installing and using the hood, be sure that the voltage(V) and the frequency(Hz) indicated on the feature plate match the voltage and frequency at the installation site. The feature plate and technical data are shown on the inside of the product. This hood is equipped with an extendible tube which allows it to be adjusted to the height of the stove.

### **TECHNICAL CHARACTERISTICS**

Total power: 280W  
Three speed motor: 200W  
Lights: 2 x 40W  
Voltage and Frequency: per feature plate.

### **INSTALLATION**

The hood can be installed to work in two different ways: if there is a possibility of installing the hood with an exhaust pipe to the outside, it will be used in SUCTION mode. If this possibility does not exist, the hood will be used in FILTERING mode whereby air is recirculated by active carbon filters.

#### Suction

If the hood is to be installed as a SUCTION hood, connect the plastic conical outlet piece supplied with the hood (125mm diameter) to an exhaust pipe connected directly to the outside.(Fig. 1)  
We recommend the use of the 125mm diameter pipe for better performance and lower noise levels.

#### Filter

This hood can be transformed into an air purifier if there is no possibility of connecting it to the outside.

In this case, air is circulated through opening F (Figure2). In order for the hood to function as a filtering purifier, two active carbon filters, supplied as separate accessories, must be used. The active carbon filters must be replaced periodically to work properly, at least once every three months (depending on the frequency with which the hood is used.) (Fig.4)

**Note:** Do not connect the hood to chimneys, ventilation pipes or hot air pipes. Before connecting any pipes, consult municipal ordinances on exhaust air and request permission from the person in charge of the building. Be sure there is adequate ventilation, even in cases where the hood is to be used simultaneously with another product.

#### Wall mounting

- The accessories needed to install the hood are inside the hood.
- The hood must be installed at a minimum distance of 66cm from the stove top.
- Place the attached template in the location where the hood is to be mounted and attach with adhesive tape.
- Drill holes in the wall using a 6mm drill bit
- The plugs and screws needed to hang the hood are contained in the bag of accessories supplied with the hood.

### Electrical connection

Connect the cord to a socket or omnipolar switch which must have a minimum contact opening distance of 3mm. The manufacture shall not be liable in the event that all safety regulations in force for the correct and normal operation of electrical parts are not observed.

This hood complies with European Directives EG No.76/889 EEC and 82/499 EG on protection against radial interference.

### Assembly of Decorative Extendible Tube

- Mark the wall at the location of support E (Figure2) according to the heights and specifications shown on the attached template.
- Drill holes in the wall, place plugs in the holes and attach support E with screws.
- Place tube A (Figure2) with the extendible part B hanging on the inside, making sure that billet D (Figure2) is correctly attached to support E (Figure2).
- Next, secure support G to the upper end of wall, making sure that it is properly aligned with the extendible tube. Extend the movable part of tube B until it reaches support G and connect to the support with the two side screws. (Fig.5)

### **CONTROL PANEL (W)**

This panel is located on the front of the hood and includes:

- 3 position switch controls the motor (1st,2nd, and 3rd speed) (Figure 6 Ref D)
- Lighting control lamp. Fig.6 Ref E
- Light switch (Figure 6 Ref F).

### **CONTROL PANEL (V)**

This panel is located on the lower part of the hood and includes:

- 4 position motor control switch (OFF, 1st, 2nd, and 3rd speed positions) (Figure 6 Ref A)
- Control Light for motor operation (Fig.6 Ref B)
- Light switch (Figure 6 Ref C).

### **MAINTENANCE**

- **Cleaning**  
Before any type of operation, always make sure that the electrical cord is disconnected and the switch is in the off position.  
Clean the external part with a mild, liquid detergent and avoid the use of abrasive cleaning products.
- **Changing the light**  
Before changing the light make sure that the hood is not connected.  
Remove the grease filter (Figure3) and replace the light with an oval light bulb of no more than 40W.  
Place the filter in position.
- **Cleaning the grease filter.**  
Depending on use, and at least once a month, the grease filters should be disassembled (Figure3) and cleaned in a dishwasher or with hot soapy water. If washed in a dishwasher they should be placed in an upright position to prevent food remains from falling on them.  
After rinsing and drying, replace the filters by following the steps for disassembly in reverse order.

**IMPORTANT**

Never leave frying food unattended since grease can overheat and catch fire. The risk of fire is even greater in the case of used oil.

Never use the hood in areas where devices with exhaust pipes connected to the outside are already operating unless perfect ventilation can be guaranteed.

To avoid the possibility of fire, adhere strictly to all of the recommendations included here and to the periodic cleaning of the grease filters.

THE MANUFACTURER DECLINES ALL LIABILITY IN CASES WHERE THE INSTRUCTIONS FOR THE APPROPRIATE INSTALLATION, MAINTENANCE AND USE OF THE EXTRACTOR HOOD ARE NOT OBSERVED.

When the power supply cord is damaged it must be replaced by an official dealer.

**CERTIFICATE OF GUARANTEE**

For a period of 1 year and in the event of damage to the apparatus, it will be repaired free of charge, except in the case of any improper use or manipulation of it. The owner of the apparatus will at all times enjoy all the rights granted to him under current legislation.

**CONDITIONS OF VALIDITY OF THE GUARANTEE**

- No claim can be attended to unless it is accompanied by the guarantee card duly dated and stamped by the sales establishment.
- Guarantee must be completed on acquiring the apparatus.

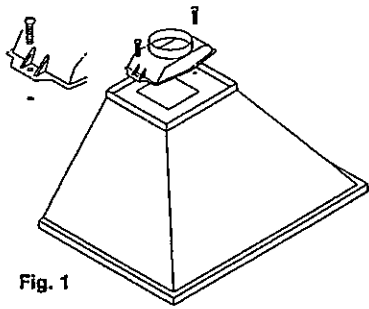


Fig. 1

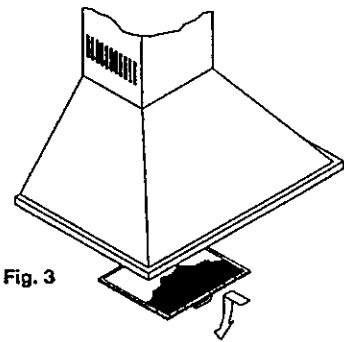


Fig. 3

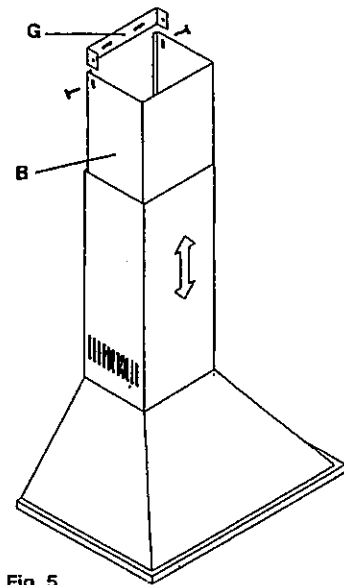


Fig. 5

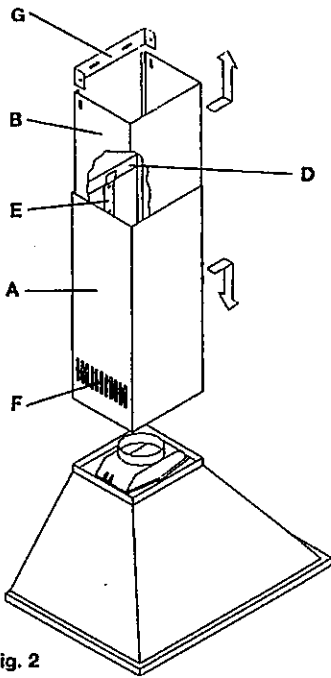


Fig. 2

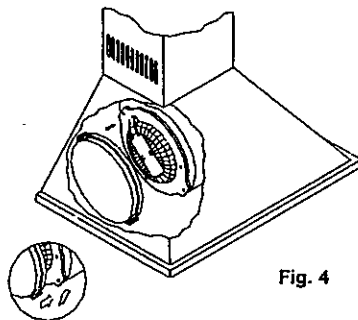
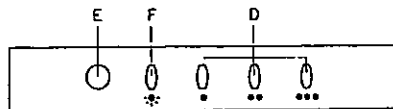


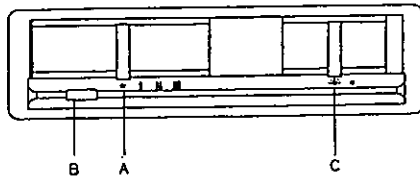
Fig. 4

Fig. 6

W:



V:



## 安裝維修及使用說明

### 安裝說明

安裝及使用抽油煙機前必須確定安裝地點的電壓與抽油煙機身標識上的電壓配合。

標識及規格資料均顯示在產品內側。

抽油煙機配備可伸展之管道，以便調節距離爐頭之適當高度。

### 各

電量 : 280W

馬力 : 200W

燈 : 2 x 40W

電壓及頻率: 請參閱機身標識

### 安裝

以兩種形式安裝 :-

形式一 如何以安裝排氣喉將油煙直接排出室外。

形式二 如只可以將油煙以活性炭隔層式循環過濾。

### 形式一

抽油煙機提供的塑膠圓錐形出口接縛件(直徑 125mm)直接接傳至排氣喉(圖 1)

確保最佳效果及減低發出之聲響，建議使用直徑 125mm 直徑之喉。

### 形式二

安裝環境不容許安裝排氣喉直接抽出屋外，抽油煙機可以以空氣清新或淨化器的形式操作。

抽油煙機會經開口 F(圖 2)，如要以過濾形式操作，必需放入兩塊活性炭過濾網，為確保抽油煙機有最佳操作性能，過濾網必需定期更換，視乎使用次數多少，建議最少每三個月更換一次，過濾網為另外獨立提供之配件。

(額外訂購)

注意：切勿將抽油煙機接駁往煙囪，抽氣喉或熱空氣喉管。

### 掛牆安裝

- 安裝所需的配件已包裝在抽油煙機內。
- 安裝時最少距離爐面 60-65cm。
- 將安裝紙樣用膠紙貼在安裝位置上。
- 按指示用 6mm 鑽咀在牆上鑽所需洞口。
- 所需的螺絲及配件放在隨機的零件袋內。

### 裝飾管道的裝配

- 按照提供之安裝圖則之高度及規格，在安裝之牆壁上定好支撐部份 E(圖 2)
- 在牆上鑽孔，將塞子放入孔內，用螺絲將支撐部份 E 固定
- 將可伸延的管道部份 B 套入管道部份 A 掛上，並確保木塊 D(圖 2)正確地繫緊在支撐部份 E 上(圖 2)
- 將支撐部份 G 安裝在牆之上，並需確保與管道可伸延部份對齊。伸延管道 B 之活動部份直至支撐部份 G 位置並用螺絲連接支撐部份(圖 5)。

### 控制標板 (W)

標板在抽油煙機前方位置配有：

- 3 速摩打選擇(1,2,3 速度) (圖 6，編號 D)
- 照明燈開關(圖 6，編號 F)

### 控制標板 (V)

標板在抽油煙機下方位置，標板配有：

- 4 速摩打選擇(關閉，1,2,3 速度) (圖 6，編號 A)
- 摩打操作的控制燈(圖 6，編號 B)
- 照明燈開關(圖 6，編號 C)



## 修保養

### 清潔

清潔前必需確定已拔掉電源線插頭及關閉電源。  
用溫和的清潔劑清理外露部份，切勿使用粗糙的清潔材料。

### 更換照明燈

更換照明燈前必需確保關掉電源。  
取出油煙過濾層，更換一不超過 40W 的圓型燈泡，將油煙過濾層裝回原位。

### 清理隔油煙層

視乎使用次數多少，最少每月應清洗一次，取出隔油煙層，然後放入洗碗碟機或用熱的洗潔精溶液清洗。  
如放在洗碗碟情況，需垂直擺放以免食物渣滓殘留在隔油層內。  
隔油層清洗及乾透後，以拆下隔油層的相反程序裝回原位。

### 重要事項

不應在煮食時離開煮食現場不顧，因過熱的油煙容易發生火警。

代理商對未有遵守安裝維修保養及使用指示而引致的問題，概不負責。

Model No. 型號 : \_\_\_\_\_

Serial No. 機身號碼 : \_\_\_\_\_

Invoice No. 發票號碼 : \_\_\_\_\_

Name 購買商號 : \_\_\_\_\_

Purchase Date 購買日期 : \_\_\_\_\_

product is made of high quality material and great care has taken in its manufacture. It is designed to give good performance provided it is properly operated and maintained. This product is sold subject to the understanding that if any defect in manufacture or material shall appear within 12 months from date of purchase, our Service Centre will arrange for such defect to be remedied without charge provided that:

"德國寶"產品設計精良,採用高品質元件製造之家庭電器產品,須正確使用及保養下能表現其優越性能。由購買日期起計一年內,若發生內部因元件之損壞,本公司會免費為用戶加以維修。

保用條例 :

The attached guarantee register card is duly completed, returned to and received by our Service Centre within 10 days of purchase.

\* 貴戶須在購機十天內準時把保用登記咭寄回本公司,保用手續才正式生效(本公司不會寄回保用咭)。

The Guarantee Card will not be mailed back by our company).

The product has been used solely for domestic purposes and has not been used on incorrect voltage, or contrary to operating instructions, or subjected to improper repair. This guarantee does not cover accessories and parts.

\* 保用不包括非家庭性質用途,燈泡及塑膠配件,一切人為損壞,接入不適當電源;不依說明書使用;因意外而造成之損壞(包括運輸方面及其他);非經本公司認可之維修;錯誤或疏忽使用該機;不適當之安裝等等,保用立即失效。此保用並不包括任何其他附件及輔助裝置。

服務中心 SERVICE CENTRE

代理: 德國寶(香港)有限公司

請將保用咭寄回以下地址:-

香港九龍土瓜灣馬頭角道116號新寶工商中心高層地下2至3號室

業務部熱線電話: 2333-6245, 2773-2888

維修部熱線電話: 2333-6249, 2333-6240

傳真: 2765-8215

電子郵件: gphkltd@netvigator.com

Local Agent: German Pool (HK) Ltd.

Unit 2 & 3, Upper Ground Floor, New Port Centre, 116 Ma Tau Kok Road, Kowloon, Hong Kong.

Business Tel.: 2333-6245, 2773-2888 Service Tel.: 2333-6249, 2333-6240

Facsimile: 2765-8215

E-mail: gphkltd@netvigator.com

This guarantee card is valid only in Hong Kong.

This part should be retained by the CUSTOMER.

此保用單只在香港通用,用戶請保留此咭。

維修時必須出示有效保養証及購買單據

Detach here and mail back to SERVICE CENTRE. 請沿此虛線剪下並寄回服務中心。

WARRANTY REGISTER CARD



This guarantee card is valid only in Hong Kong.  
保用單只在香港通用

Model No. 型號 : \_\_\_\_\_

Serial No. 機身號碼 : \_\_\_\_\_

(型號及機身號碼列明於機身)

Customer's Name/Mr./Mrs./Miss/Ms.

姓名/先生/太太/小姐/女士: \_\_\_\_\_

Address: \_\_\_\_\_

Telephone: \_\_\_\_\_

Office Tel. No. 辦公電話: \_\_\_\_\_

Name 姓名: \_\_\_\_\_ Invoice No. 發票號碼: \_\_\_\_\_ Purchase Date 購買日期: \_\_\_\_\_

CUSTOMER'S CONFIRMATION

I confirm that this apparatus was received on \_\_\_\_\_ (Date), and is functioning to my satisfaction. Please register this guarantee in accordance with conditions shown.  
本人已於 \_\_\_\_\_ (日期) 收受上述產品,其性能符合滿意,請按貴公司保用條款登記保用。

Signature: \_\_\_\_\_ 用戶簽名: \_\_\_\_\_

