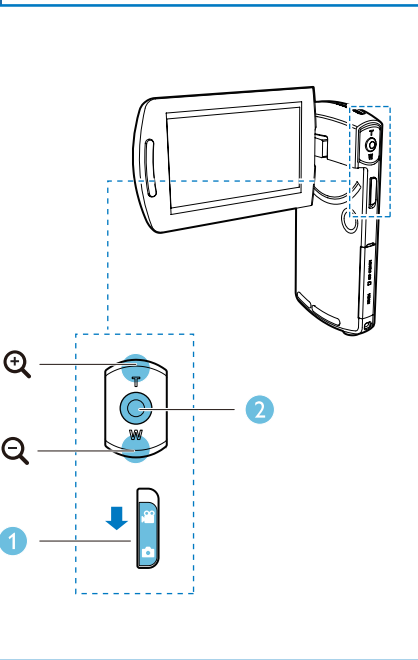
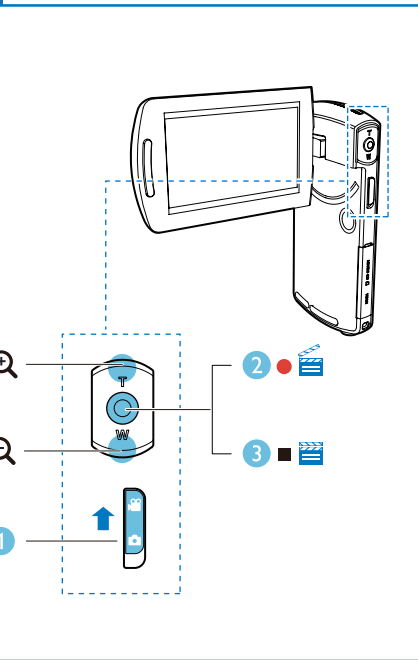
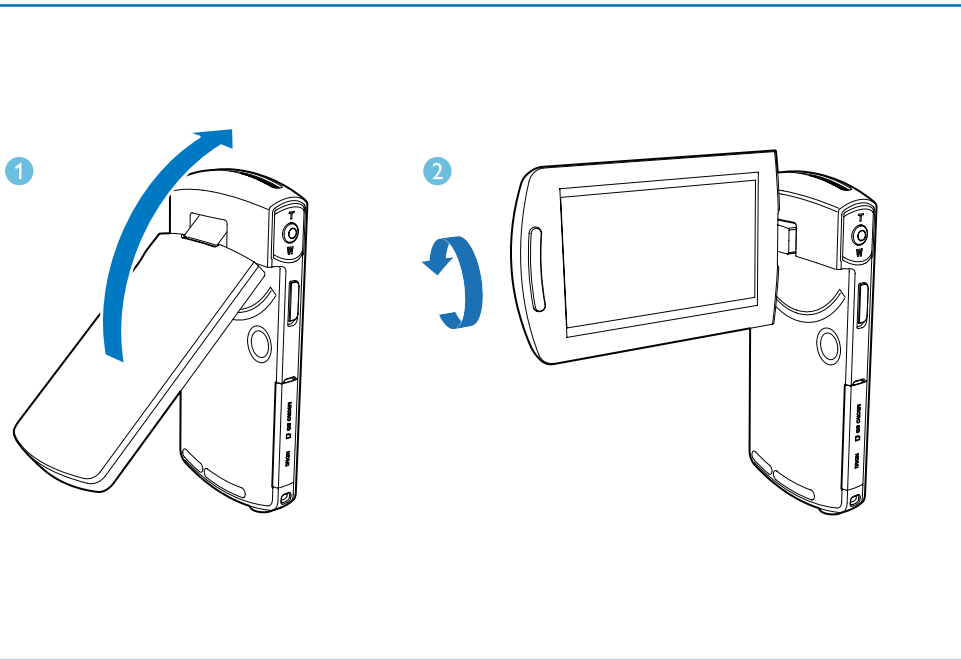
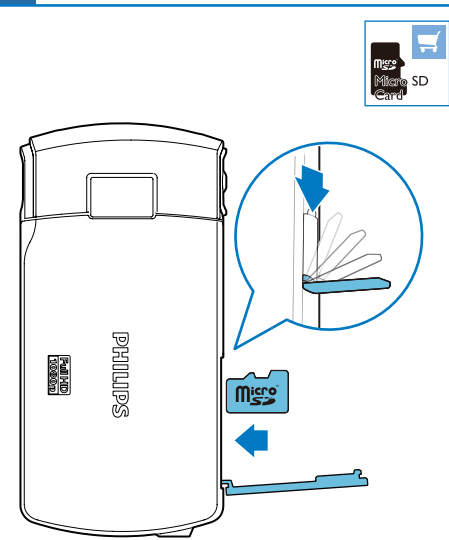


www.philips.com/support



Quick start guide



1. Video player interface showing a video of a baby. A hand icon points to the play button.
2. Video player interface showing a video of a baby. A hand icon points to the play button.
3. Video player interface showing a video of a sailboat. A hand icon points to the back button.
4. Video player interface showing a video of a sailboat. A hand icon points to the pause button.

1. Video player interface showing a video of a baby. A hand icon points to the trash button.
2. Video player interface showing a video of a baby. A hand icon points to the 'Delete?' dialog with 'YES' and 'NO' options.

1. Diagram showing a hand pointing to the 'PUSH' button on a device.
2. Diagram showing a Mini HDMI / HDMI cable being inserted into the back of a device.
3. Diagram showing a Mini HDMI / HDMI cable being inserted into the back of a laptop.

HDMI

1. Laptop screen showing 'Arcsoft MediaImpression HD Edition' software. A hand icon points to the software name.
2. Laptop screen showing the 'Welcome to the InstallShield Wizard for MediaImpression HD Edition' dialog box.
3. Laptop screen showing the 'InstallShield Wizard Complete' dialog box with 'Finish' button highlighted.
4. Laptop screen showing the Philips MediaImpression HD Edition software interface.

1. Diagram showing an Apple laptop connected to a device via a Mini HDMI / HDMI cable. A hand icon points to the connection point.
2. Laptop screen showing the Philips MediaImpression HD Edition software interface. A hand icon points to a star icon in the bottom right corner.