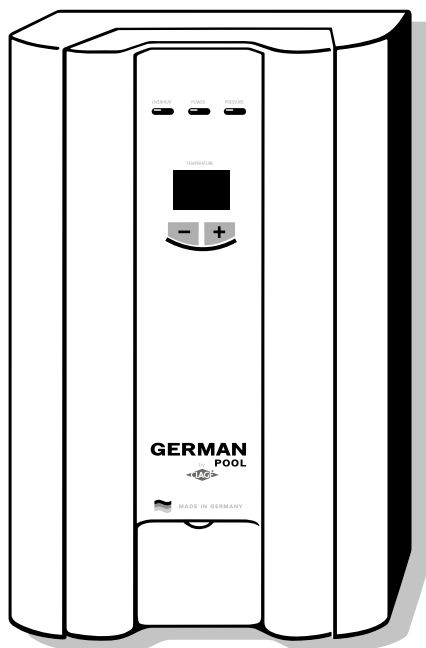


# GERMAN by POOL CLAGE

## 即熱式電熱水器 | 即热式电热水器 | CRX9 Instantaneous Water Heater



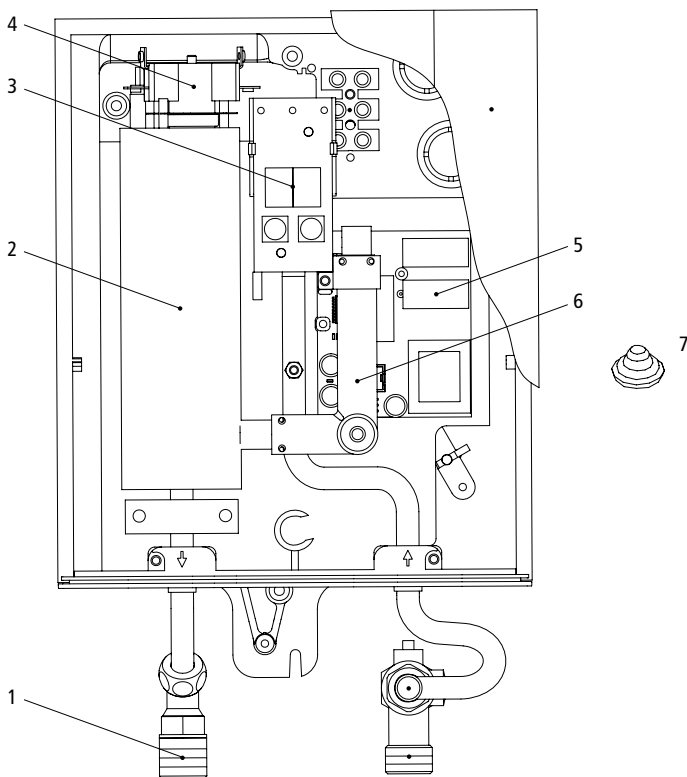
在使用之前請詳細閱讀「使用說明書」及「保用條例」，並妥為保存。  
在使用之前请仔细阅读「使用说明书」及「保用条例」，并妥为保存。  
Please read these instructions and warranty information carefully before use and keep them handy for future reference.



使用說明書 | 使用说明书 | OPERATING INSTRUCTIONS

## 1. Overview

### Layout of appliance



Pos.	Description
1	Brass connection set with back flow prevention in hot water outlet
2	Heating element
3	Display panel
4	Safety thermal cut out

Pos.	Description
5	Electronic board
6	Flow sensor
7	Cable seal

not shown: set of small spareparts

**When ordering spare parts, please always specify the appliance model, nominal rating and serial number!**

## 2. Table of contents

1. Overview .....	2
2. Table of contents .....	3
3. Technical specifications .....	3
4. Operating instructions .....	4–6
5. Customer service .....	7
6. Installation .....	8–13
Warranty Terms and Conditions .....	38
Customer Service Center .....	39

**中文使用說明書從第 14 頁開始** – Traditional Chinese manual starts on page 14

**中文使用說明書從第 26 頁開始** – Simplified Chinese manual starts on page 26



**Operating Instructions:**  
Please read these instructions carefully before using the appliance!

## 3. Technical specifications

Type	CRX9
Capacity	0.2 l
Pressure-type, rating pressure	0.6 MPa (6 bar)
Heating system	Tubular heater
Nominal rating	8.0–9.6 kW
Rated voltage (50 Hz)	1N / PE ~
Rated current at 220–240V	36–40 A
Min. required conductor cross-section	3 × 6.0 mm <sup>2</sup>
Factory preset flow reducer	5.0 l/min
Increase of temperature $\Delta t$ at present flow	23 K
Hot water temperature at 20 °C inlet temp.	43 °C
Switch-on flow rate	2 l/min
Temperature presetting	35–55 °C
Useful for cold water up to	30 °C
Water connection	½" B.S.P. surface-mounted or flush-mounted
Net weight and dimensions (H × W × D)	2.2 kg / 33 × 21 × 9 cm
Protection class and type of protection to VDE	1 / IP25
Safety mark	see type plate



## 4. Operation instructions

### Safety instructions for closed-outlet water heaters:

- Installation, initial operation and maintenance of this appliance must only be conducted by an authorised professional, who will then be responsible for adherence to applicable standards and installation regulations. We assume no liability for any damages caused by failure to observe these instructions.
- Do not use the appliance until it has been correctly installed and unless it is in perfect working order.
- The appliance is only suitable for domestic use and similar applications inside closed, frost-free rooms, and must only be used to heat incoming water from mains supply.
- The appliance must never be exposed to frost.
- The appliance must be earthed at all times.
- The maximum water pressure must not exceed the value on the label.
- Before commissioning for the first time and each time the appliance is emptied (e.g. due to work on the plumbing system, if there is a risk of freezing or in case of maintenance), the appliance must be vented correctly in accordance with the instructions in this manual.
- Do not remove the front cover under any circumstances before switching off the mains electrical supply to the unit.
- Never make technical modifications, either to the appliance itself or the electrical leads and water pipes.
- Pay attention to the fact that water temperatures in excess of approx. 43 °C are perceived as hot, especially by children, and may cause a feeling of burning. Please note that the fittings and taps may be very hot when the appliance has been in use for some time.
- Water inlet temperature must not exceed 30 °C.
- In case of malfunction, disconnect the fuses immediately. In case of leaks, cut off the cold water supply instantly. Repairs must only be carried out by the customer service department or an authorised professional.
- This appliance must not be used by any person (including children) with limited physical, sensorial or mental abilities or failing experience and/or knowledge unless they are supervised by a person responsible for their safety or received instructions about how to use the appliance. Children should be supervised in order to make sure that they do not play with the appliance.



### Description of appliance

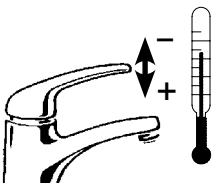
The appliance is a closed-outlet electronically controlled instantaneous heater for decentral water heating at one or two taps situated in close proximity to one another, e.g. wash basin or shower. Technical specifications → see page 3!

### Use

The instantaneous water heater heats the water to the required temperature directly as it streams through. The heater switches on automatically when the threshold flow rate is exceeded. The „Power“ indicator (2) lights up when the heater is switched on. The „Pressure“ indicator (3) lights up when the flow rate is too low.

The power is automatically adjusted by the electronics in line with the water flow rate in order to obtain the set temperature and keep it virtually constant. The required temperature can be set to within one degree between 35 °C and 55 °C via the two buttons (5) and can be read off on the digital display (4).

If the full power of the instantaneous heater is not sufficient to heat the water to the required temperature, this is indicated by the flashing „Power“ indicator (2). The temperature can be restored by reducing the hot water flow rate at the tap.



## 4. Operation instructions



If the heater supplies two outlets, the water from the unit will be shared between the outlets. You should therefore only use one outlet at a time in order to obtain a sufficient flow.

At high feed temperatures, the power is automatically switched off by the electronics in order to avoid producing excessively hot water. This is indicated by the „Overheat“ lamp (1).

### Venting

To prevent damage to the appliance, the instantaneous water heater must be vented before using it for the first time. Each time it is emptied (e.g. after work on the plumbing system, if there is a risk of frost or following repair work), the appliance must be re-vented before it is used again.

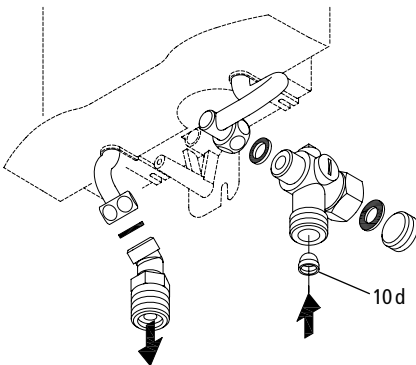
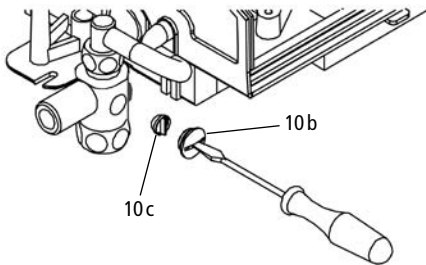
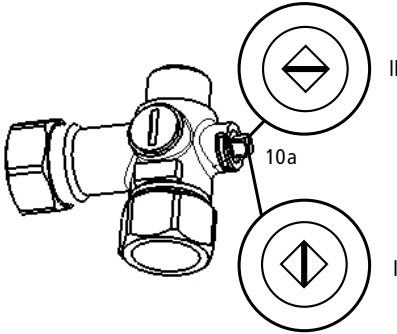
1. Disconnect appliance from the mains by removing the fuses.
2. Next, open and close the hot water tap valve several times until no more air emerges from the pipe and all air has been eliminated from the water heater (approx. 1 minute).
3. Only then re-connect the power supply to the unit.

### Save energy

Set precisely the required temperature on the appliance and only open the hot water tap. If the water is too hot, set a lower temperature on the appliance instead of adding cold water. If you add cold water, the heated water is cooled again and valuable energy will be lost. Moreover, the cold water added in the fitting cannot be controlled by the electronics and a constant temperature can no longer be guaranteed.

### Maintenance and cleaning

- Plastic surfaces and fittings may only be wiped with a damp cloth. Never use abrasive cleaning agents or solvents.
- For a good water supply, the aerators and shower heads should be unscrewed and cleaned or renewed at regular intervals.
- The electrical and plumbing components should be inspected by an authorized professional at least every three years to ensure proper functioning and operational safety at all times.



#### Cleaning the fine filter (flush-mounted)

The fine filter is located in the water connection (10) and should be examined by an expert and cleaned if necessary not only when operation of the appliance deteriorates, but also in conjunction with regular servicing.

1. Disconnect the instantaneous water heater by means of the house fuses and close the shut-off valve (10a) in the cold water connection piece (position II) or shut-off the mains supply.

2. Unscrew the screw plug (10b) from the cold water connection piece and take out the strainer (10c).

#### Attention: Residual water comes out!

3. The strainer can be cleaned or replaced.
4. After fixture of the strainer tighten the screw plug.
5. Slowly open the shut-off valve in the cold water connection piece (position I).
6. Vent the unit by carefully opening and closing the affiliated warm water tap valve several times until air no longer emerges from the pipe.

#### Cleaning the fine filter (surface-mounted)

The fine filter is located in the water connection (10) and should be examined by an expert and cleaned if necessary not only when operation of the appliance deteriorates, but also in conjunction with regular servicing.

1. Disconnect the instantaneous water heater by means of the house fuses and shut-off the main water supply.
2. Unscrew the cold water inlet connection of the unit and take out the strainer (10d) of the connection piece.

#### Attention: Residual water comes out!

3. The strainer can be cleaned or replaced.
4. After fixture of the strainer remount the water connection of the unit.
5. Carefully open the main water supply.
6. Vent the unit by carefully opening and closing the affiliated warm water tap valve several times until air no longer emerges from the pipe.

## 5. Customer service

If you experience a malfunction, please try to rectify the fault yourself first with the help of this table. If a fault in your appliance cannot be rectified with the aid of this table, please contact German Pool who will either assist you directly or put you in touch with a customer service contract partner in your area.

Always specify the appliance model and serial number, please!

Problem	Possible Cause	Solution
LED remains off, water remains cold	Circuit breaker tripped	Have the fault rectified and reset
The pilot lamp „Power“ lights, water remains cold	Heating element or electronics faulty	Reset fuse, water remains cold contact customer service
	Safety thermal cut-out tripped	Reset. In case of repeated trips contact customer service
The pilot lamp „Pressure“ lights, water remains cold	Flow rate too low	Increase flow pressure Clean tap fitting or shower head
Water flows lower as expected	Depends on the heater	Check technical specifications
	Outlet fitting dirty or calcified	Clean tap fitting or shower head
	Filter dirty or calcified	Clean or renew the filter
	Tap not suitable	Use suitable shower head or aerator
The hot water is not hot enough	Electronic board	Reset fuse
	Flow rate is too high (winter?)	Reduce the water flow slightly
	Heating element defect	Contact customer service
Temperature and pressure vary	Cold water is being added	Only hot water can be delivered to within one degree

If you cannot rectify the fault with the aid of this table, please contact your distributor or German Pool Customer Service – China Headquarters.

Repairs may only be carried out by authorized professionals!

We can either give you the name and address of an authorised customer service company or repair the heater ourselves. In the latter case, please send in the heater (at your cost and risk) with details of the problem and a copy of the sales invoice.

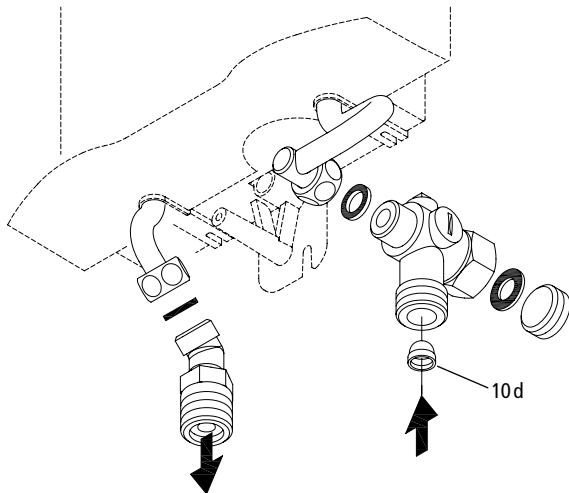
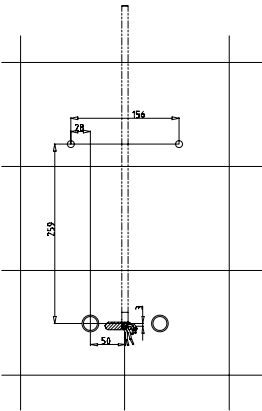
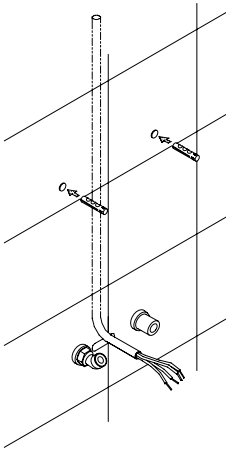




## 6. Installation

### Installing the wall bracket (surface-mounted):

1. Thoroughly rinse the water supply pipes before installation to remove soiling from the pipes.
2. Screw the 1/2" screw in nipple and the 1/2" seal into the 1/2" union nuts of the hot-water connector.
3. The 1/2" cap of the side outlets of the coldwater connectors must be removed and screwed onto the open end of the screw-in nipple.
4. Mount the fine filter into the cold water connection piece (10 d).
5. The hot-water and cold-water connectors must then be screwed into the 3/8" union nut of the appliance and delivery pipe, together with the 3/8" seals.
6. Mark the drill holes and drill them using a 6 mm drill. Mount the unit to the wall and connect the water supply of the unit.
7. The holes in the housing of the unit required for the pipes must then be broken out of the housing with the aid of a blunt implement.
8. Open the water supply line to the unit and slowly open the shut-off valve in the cold water connection piece (drawing 10 a on page 6). Check all connections for leaks.
9. Next, open and close the hot water tapping valve several times until no more air emerges from the line and all air has been eliminated from the instantaneous water heater.



## 6. Installation

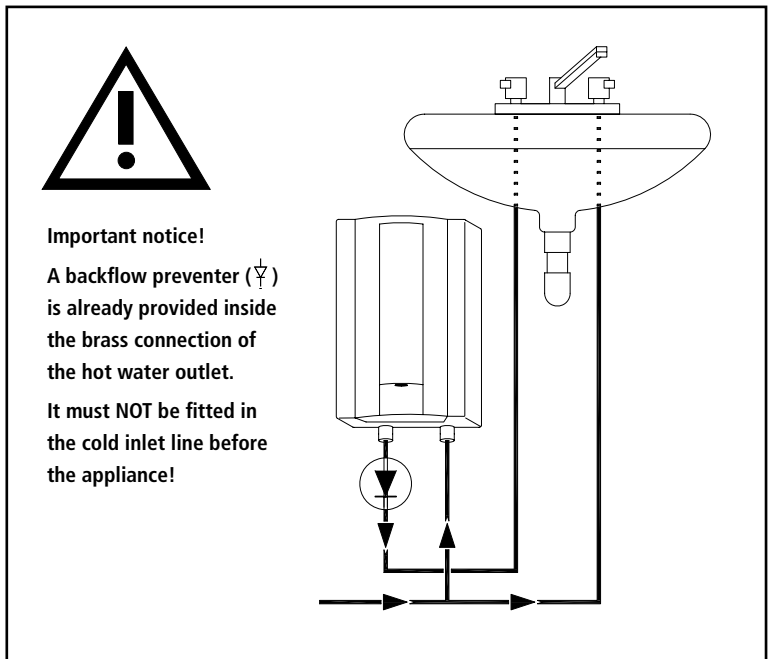


### Installation instructions for the authorized technician

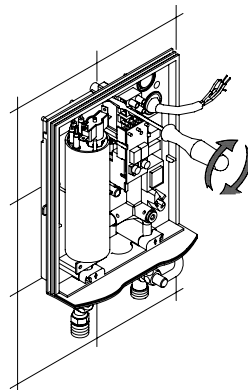
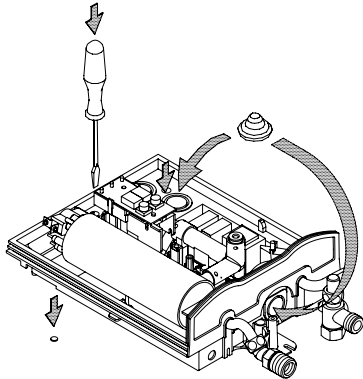
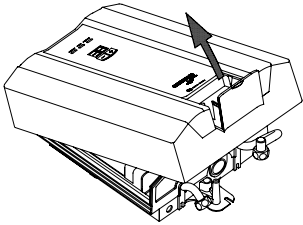
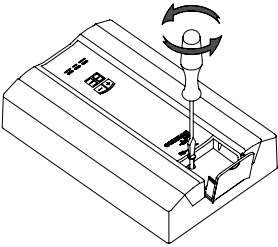
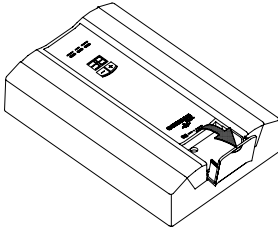
- The statutory regulations of the respective country, as well as those of the local electricity and water supply companies.
- The specifications on the rating plate and the technical specifications.

### Installation site

- The installation site must be free from frost at all times.
- The appliance complies with protection type IP25 and may be installed in zone 1 acc. IEC
- In order to avoid thermal losses, the distance between the heater and the tapping point should be as small as possible (< 2 m).
- Best performance is guaranteed at a flow pressure of  $\geq 3$  bar, avoiding pressures exceeding 6 bar.
- Material of water pipes for tubular heater types: cold water: steel or copper, hot water: copper



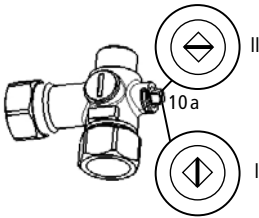
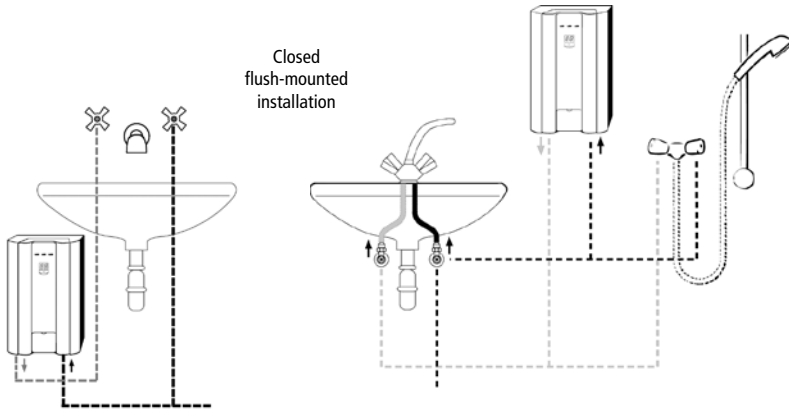
## 6. Installation



### Installing the appliance:

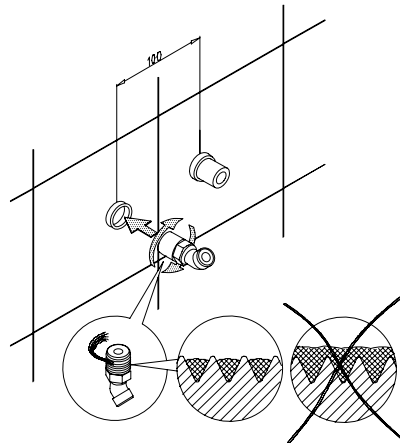
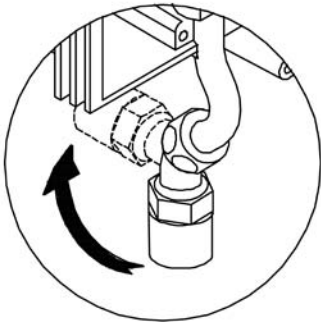
1. Rinse water supply pipes thoroughly and turn off for installation.
2. Remove the front cover by unscrewing the locking screw behind the small lid.
3. Locate and break out the required holes and cable inlets. Mark the drilling holes with the appliance and drill them with a 6 mm bit.
4. Fit the rubber grommet supplied and insert the connecting lead. The lead must be secured with the cable clamp when using a flexible power cord.
5. Screw the appliance into position using the enclosed raw plugs and screws.
6. Install the appliance as shown in the principal examples above. The inlet and outlet are marked with arrows.
7. The water connections are designed for surface-mounted or flush-mounted installation. They must be carefully sealed with a little P.T.F.E. Tape when screwed into the wall connections.
8. The front cover must be neatly broken at the designated points when installed on the wall.

## 6. Installation



9. Turn on the water supply and slowly open the shutoff valve (10 a) in the cold-water connection (position I) if necessary. **Check all connections for leaks.**

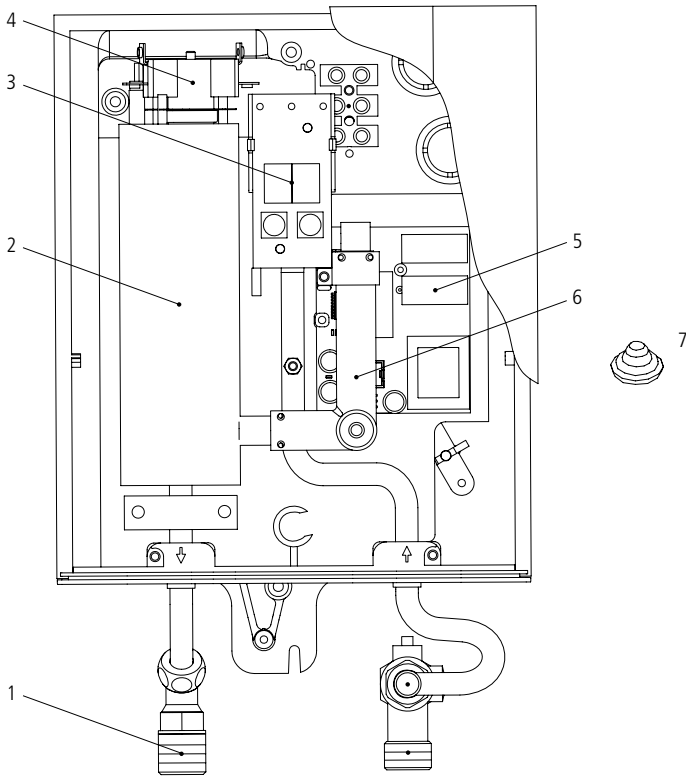
10. Next, open and close the hot water tap several times until no more air emerges from the line and all air has been eliminated from the heater.





## 1. 概述

## 設備佈局



位置	說明
1	黃銅接駁裝置 (帶有插入式回流防止器)
2	發熱線
3	顯示面板
4	安全熱切斷器 (STB)
5	電路板

位置	說明
6	流量感應器
7	電纜密封

沒有顯示：細小的零配件

訂購產品零部件時，請說明產品型號、規格和序列號。

## 2. 目錄

1. 概述 .....	14
2. 目錄 .....	15
3. 技術規格 .....	15
4. 操作說明 .....	16 – 18
5. 客戶服務 .....	19
6. 安裝 .....	20 – 25
保用條款和條件 .....	38
客戶服務部 .....	39



**操作說明：使用設備之前，請仔細閱讀以下說明！**

## 3. 技術規格

型號	CRX9
容量	0.2 l
壓力類型，額定壓力	0.6 MPa (6 bar)
加熱系統	管式加熱器
額定功率	8.0 – 9.6 kW
額定電壓 (50 Hz)	1N/PE~
220 – 240 V 時的額定電流	36 – 40 A
所需導體最小橫截面	3 × 6.0 mm <sup>2</sup>
出廠預設流量減速器	5.0 升/分
當前流量下的溫度增量 Δt	23 K
進水溫度 20 °C 時的熱水溫度	43 °C
接通流速	2 升/分
預設溫度	35 – 55 °C
冷水溫度	30 °C
水管接駁	1/2" B.S.P. 明裝或暗裝
淨重和尺寸 (H × W × D)	2.2 kg / 33 × 21 × 9 cm
VDE 保護等級和保護類型	1 / IP25
安全標記	請參閱型號銘牌



## 4. 操作說明

### 封閉式出水管熱水器的安全說明：

- 本設備的安裝、初始操作和維護必須只能由經過授權的專業人士進行，他們將負責遵守適用的標準和安裝規定。我們對於不遵守這些說明而導致的任何損壞概不負責。
- 除非設備已正確安裝並處於最佳工作狀態，否則請勿使用設備。
- 本設備僅適用於在封閉、無霜的房間內供家庭用途和類似的應用，並且必須僅用於加熱來自幹線供給的進水。
- 本設備永遠不得暴露在霜凍環境中。
- 本設備必須始終接地。
- 最大水壓不得超過標籤上的值。
- 初次試運行之前和每次設備排空後（例如，由於在管道系統上工作後，如果有霜凍風險或如果進行維護時），必須根據本手冊中的說明對設備進行正確放氣。
- 任何情況下，請勿在切斷電源與設備的接駁之前拆下前蓋。
- 切勿進行技術改動（不論對設備本身還是電線和水管）。
- 請注意，水溫超過約 43 °C 將被視為熱水（尤其是對兒童而言），並且可能導致灼熱感。另外，設備使用一段時間後，配件和水喉可能會非常熱。
- 進水溫度不得超過 30 °C。
- 如果發生故障，請立即斷開保險絲。如果發生洩漏，請立即切斷冷水供給。只能由客戶服務部門或經過授權的專業人士進行維修。
- 身體、感知或精神能力有缺陷或無法獲得經驗和/或學習知識的人士（包括兒童），必須在負責其安全的人士監督下或瞭解如何使用本設備後方可使用。兒童應在監督下使用本設備，以免其用本設備玩耍。

### 設備說明

本設備為電子控制、封閉式出水的即熱式熱水器，用於加熱一個水喉或彼此相鄰的兩個水喉（例如，洗臉盆或淋浴器）的出水。技術規格 → 請參閱第 15 頁！



### 用途

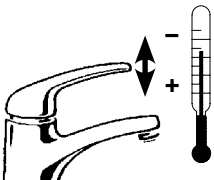
即熱式熱水器在水流經過時將其直接加熱到所需的溫度。熱水器在流速超過閾值後自動打開。熱水器打開時，“Power”（電源）指示燈 (2) 會亮起。流速過低時，“Pressure”（壓力）指示燈 (3) 會亮起。

將通過電子方式控制管道中的水流速度自動調節功率，從而獲得設定的溫度並保持近似恒定。可通過兩個按鈕 (5) 將所需溫度設置為介於 35 °C 到 55 °C 之間的某一溫度，並且可從數位顯示幕 (4) 上讀出。

如果即熱式熱水器的最大功率不足以將水加熱到所需溫度，則將通過閃爍的“Power”（電源）指示燈 (2) 表示這一情況。可通過降低水喉處的熱水流速來恢復溫度。

如果熱水器有兩個出水口，則設備的水流將在兩個出水口之間分享。因此，應該一次只使用一個出水口以便獲得充足的流量。

如果進水溫度較高，將通過電子方式自動關閉電源，從而避免產生過熱的熱水。這將通過“Overheat”（過熱）燈 (1) 表示。





## 4. 操作說明



### 放氣

為避免設備損壞，初次使用即熱式熱水器之前必須對其進行放氣。每次排空後（例如在管道系統上工作後，如果有霜凍風險或隨後需要進行維修工作時），再次使用之前必須重新對設備進行放氣。

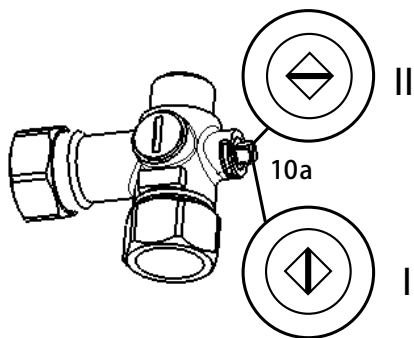
1. 拆下保險絲，斷開設備與電源的接駁。
2. 接下來，打開和關閉熱水喉閥門數次，直到沒有氣體從管道排出並且所有氣體均已從熱水器中排出（約 1 分鐘）。
3. 然後將電源重新接駁至設備。

### 節能

在設備上精確設置所需的溫度並且只打開熱水喉。如果水過熱，請在設備上設置較低的溫度而不是添加冷水。如果您添加冷水，則加熱的水將再次冷卻並且將浪費寶貴的能源。此外，裝置中添加的冷水無法通過電子方式控制並且不再能夠保證恆溫。

### 維護和清潔

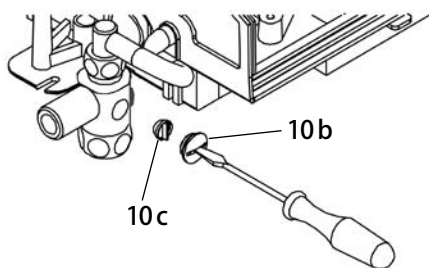
- 塑膠表面和配件只能以濕布進行擦拭。切勿使用研磨性清潔劑或溶液。
- 為供水良好，應定期取下清潔或更換通風裝置和淋浴頭。
- 電子元件和管道元件應由經過授權的專業人士至少每三年檢查一次，從而確保熱水器始終正常工作和安全運行。



#### 清潔細濾器（暗裝）

細濾器位於水管接駁 (10) 中，應由專家在設備運行退化和定期維護時進行檢查和清潔。

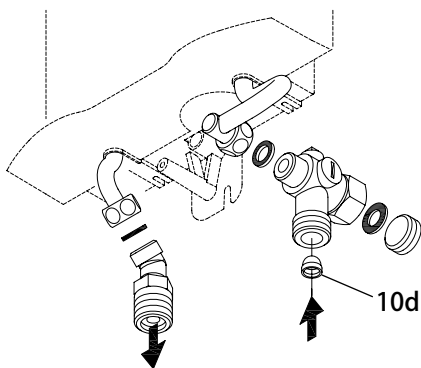
1. 通過斷開家庭保險絲的方式斷開即熱式熱水器的接駁，關閉冷水接駁件（位置 II）中的關閉閥 (10a) 或關閉幹線供給。
2. 旋松冷水接駁件的螺旋塞 (10b) 並取出濾網 (10c)。注意：殘留的水將流出！
3. 濾網可以清潔或更換。
4. 固定濾網後，旋緊螺旋塞。
5. 慢慢打開冷水接駁件（位置 I）中的關閉閥。
6. 將設備放氣，方法是小心地打開和關閉相連的熱水喉閥門數次，直到不再有氣體從管道中排出。



#### 清潔細濾器（明裝）

細濾器位於水管接駁 (10) 中，應由專家在設備運行退化和定期維護時進行檢查和清潔。

1. 通過斷開家庭保險絲的方式斷開即熱式熱水器的接駁，關閉幹線供水。
2. 旋松設備的冷水進水接駁裝置並從接駁件取出濾網 (10 d)。注意：殘留的水將流出！
3. 濾網可以清潔或更換。
4. 固定濾網後，請重新接駁設備水管。
5. 小心地打開幹線供水。
6. 將設備放氣，方法是小心地打開和關閉相連的熱水喉閥門數次，直到不再有氣體從管道中排出。



## 5. 客戶服務

如果您遇到故障，請首先嘗試借助此表格自行修復故障。如果借助此表格無法修復設備的故障，請聯繫 German Pool，我們將直接為您提供幫助，或幫助您與當地的客戶服務簽約合作夥伴進行聯繫。

請務必指定設備型號和序列號！

故障	可能的原因	解決方案
LED 不亮，水不熱	電路斷路器已觸發	修復該故障並重定
“Power”（電源）指示燈亮起，水不熱	發熱線或電子設備故障	重定保險絲，如果水仍然不熱，請聯繫客戶服務
	安全熱切斷器已觸發	復位。如果反復跳閘，請聯繫客戶服務
“Pressure”（壓力）指示燈亮起，水不熱	流速過低	增加流量壓力清潔水喉配件或淋浴頭
水流過低	取決於熱水器	查看技術規格
	出水管配件髒汙或鈣化	清潔水喉配件或淋浴頭
	過濾網髒汙或鈣化	清潔或更換過濾網
	水喉不合適	使用合適的淋浴頭或通風裝置
熱水不夠熱	電路板	復位保險絲
	流速過高（冬季？）	稍微減少水流量
	發熱線故障	聯繫客戶服務
溫度和壓力變化	添加了冷水	只提供某一度範圍內的熱水

如果借助此表格無法修復故障，請聯繫您的分銷商或德國寶客戶服務總部。

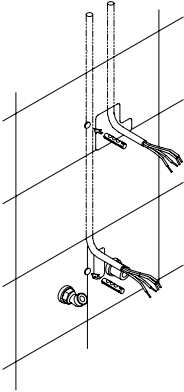
只能由經過授權的專業人士進行維修！

我們可能會向經過授權的客戶服務公司提供您的姓名和地址，也可能會自己維修熱水器。

如果是後一種情況，請遞交熱水器（自行承擔費用和風險）及問題詳情和銷售發票的副本。

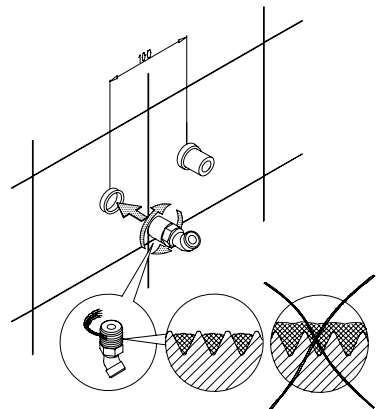
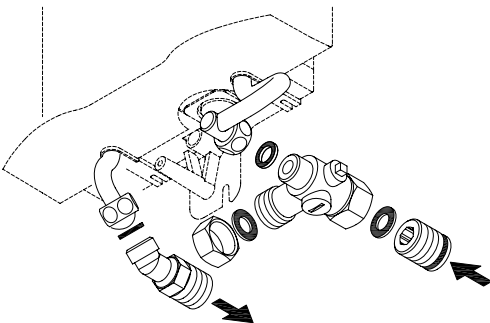
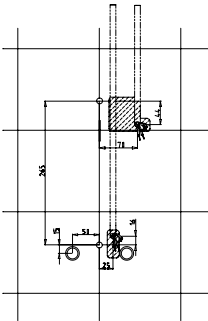
## 6. 安裝

如果您安裝的是即熱式熱水器 CRX 9 而不是傳統的即熱式熱水器，則通常牆壁固定支架不需要鑽孔。在這種情況下，您只需要如 2 中所述旋緊雙向管接頭並固定掛牆背碼即可。



### 安裝掛牆背碼（暗裝）：

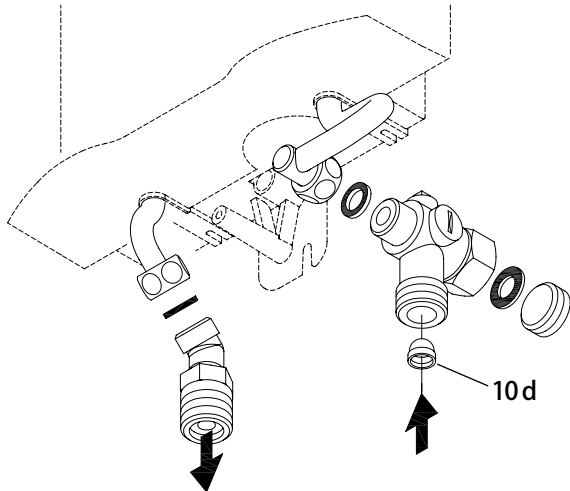
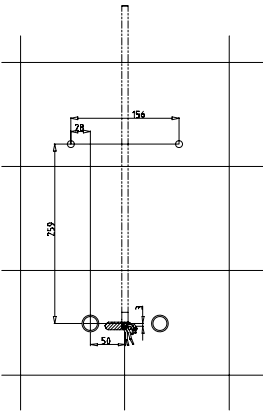
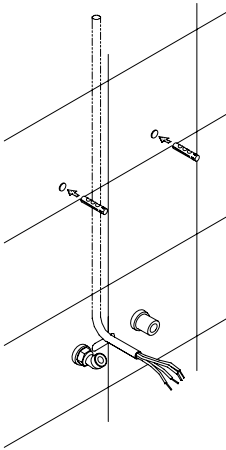
1. 安裝前，仔細清洗供水管道，以除去管道中的髒汙。
2. 使用 12 mm 的內六角形螺釘扳手，將旋入式管接頭旋入牆壁接頭中。旋緊後，雙向管接頭必須突出 12 mm。
3. 使用少量 P.T.F.E. 仔細密封熱水接駁管。將其用帶子固定並旋入牆壁接駁裝置中。裝配附帶 1/2" 密封件的冷水接駁件。
4. 握住牆壁上的設備並將其對齊，以便設備的水管接頭裝在牆壁接駁裝置上。標記鑽孔位置並使用 6 mm 鑽來鑽孔。
5. 將設備裝到牆上並接駁設備的水源，以及 3/8" 密封件。
6. 打開設備的供水管道並慢慢打開冷水接駁件 (10 a) (位置 I) 中的關閉閥。檢查所有接駁有無洩漏。
7. 接下來，打開和關閉熱水喉閥門數次，直到沒有氣體從管道排出並且所有氣體均已從即熱式熱水器中排出。



## 6. 安裝

### 安裝掛牆背碼（明裝）：

1. 裝前，仔細清洗供水管道，以除去管道中的髒汙。
2. 將管接頭中的 1/2" 螺釘和 1/2" 密封件旋到熱水管接頭的 1/2" 管接螺母中。
3. 必須卸下冷水管接頭側面出水管的 1/2" 螺帽，並將其旋到旋入式管接頭的開口端。
4. 將細濾器裝到冷水接駁件 (10 d) 中。
5. 然後，必須將熱水和冷水管接頭旋到設備和輸送管道的 3/8" 管接螺母以及 3/8" 密封件上。
6. 標記鑽孔位置並使用 6 mm 鑽來鑽孔。將設備裝到牆上並接駁設備的水源。
7. 設備外殼上必須有孔，管路才能在鉋器的協助下穿出外殼。
8. 打開設備的供水管道並慢慢打開冷水接駁件 (10 a) 中的關閉閥。檢查所有接駁有無洩漏。
9. 接下來，打開和關閉熱水喉閥門數次，直到沒有氣體從管道排出並且所有氣體均已從即熱式熱水器中排出。



## 6. 安裝

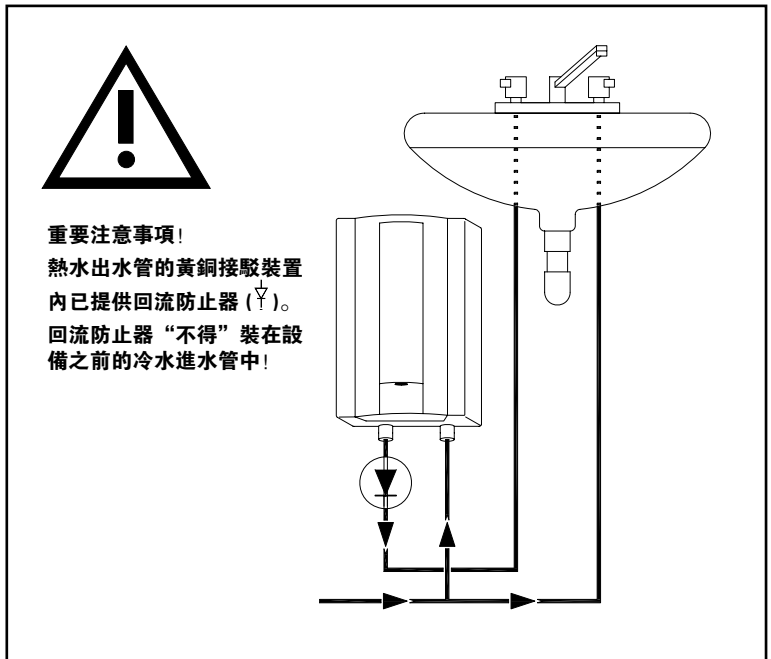


### 適用於經授權技術人士的安裝說明

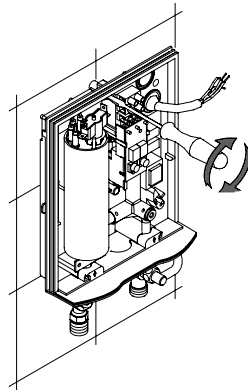
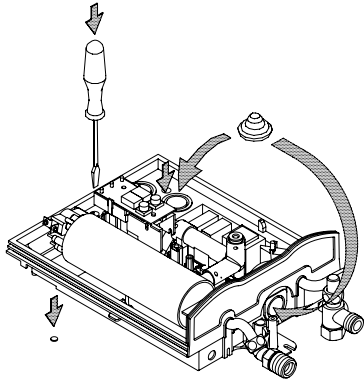
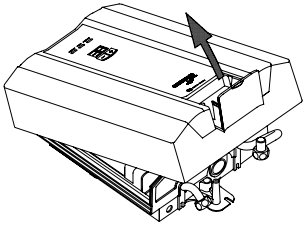
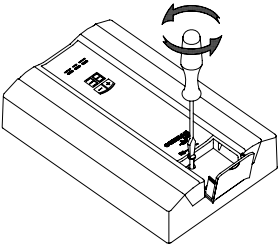
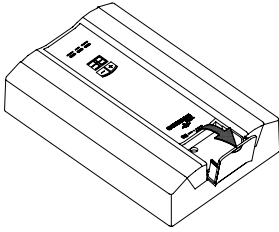
- 各國家/地區的法律規定以及當地的電力和供水公司的規定。
- 標稱銘牌上的規格和技術規格。

### 安裝地點

- 安裝地點必須一律為無霜環境。
- 設備符合保護類型 IP25 並且可根據 IEC 安裝在區域 1。
- 要避免熱量流失，熱水器和分接點的距離應盡可能小 (< 2 m)。
- 流動壓力大於等於 3 bar 時可以保證最佳性能，請避免壓力超過 6 bar。
- 管式加熱器型號的水管材料：冷水：鋼或銅，熱水：銅。



## 6. 安裝

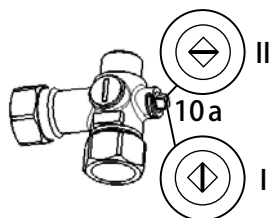
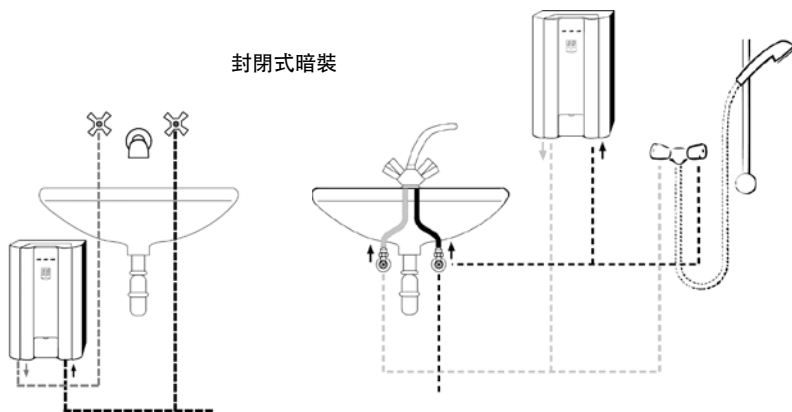


### 安裝設備：

1. 徹底清洗供水管道並關閉以便安裝。
2. 通過旋松小蓋子後面的鎖定螺釘，卸下前蓋。
3. 找到並打破所需的孔和電纜入口。使用設備標記鑽孔位置並以 6 mm 鑽頭鑽孔。
4. 裝上提供的橡膠墊圈並插入接駁導線。使用撓性電源線時，必須使用電纜夾固定導線。
5. 使用附帶的原裝螺塞和螺釘將設備固定到位。
6. 如上面的基本示例所示安裝設備。使用箭頭標記進水口和出水口。
7. 水管接駁設計對於明裝或暗裝均可。必須使用少量 P.T.F.E. 仔細地密封。固定到牆壁接駁後使用帶子固定。
8. 明裝時，前蓋進出水孔需打破。

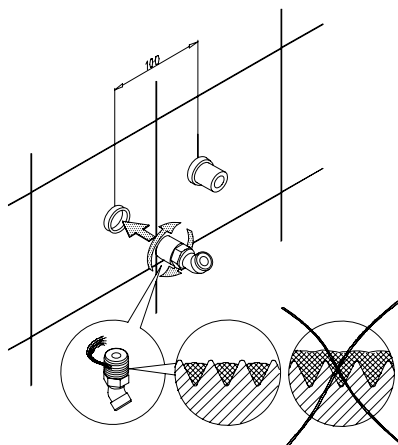
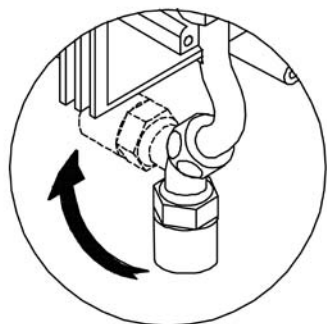
## 6. 安裝

封閉式暗裝

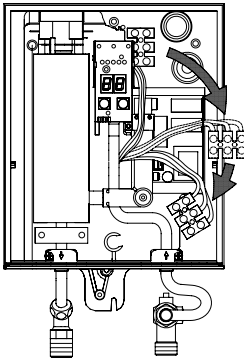
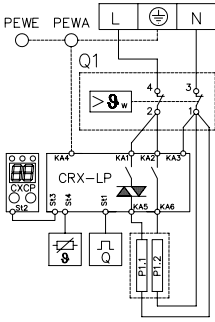


9. 打開水源並慢慢打開冷水接駁（位置I）中的關閉閥（10 a）（如有必要）。檢查所有接駁有無洩漏。

10. 接下來，打開和關閉熱水喉數次，直到沒有氣體從管道排出並且所有氣體均已從熱水器中排出。







### 電氣接駁：

即熱式熱水器是一種保護等級為 I 的設備，必須接駁至保護性接地導體！

1. 進行電氣接駁之前請檢查電源是否關閉！

• 設備必須以永久接線的方式通過合適的保險絲（離所有電極至少 3 mm 的觸點間隔）接駁至電源。

• 接駁電纜的橫截面必須符合額定功率要求。

• 為保護設備，必須裝有跳開電流與設備額定電流相等的保險絲元件。

2. 切開墊圈以匹配電纜大小。墊圈中的開口應稍小於電纜的橫截面，以便確保最佳防水保護。將墊圈裝入開口中。必須使用保護墊圈！設備必須接地！

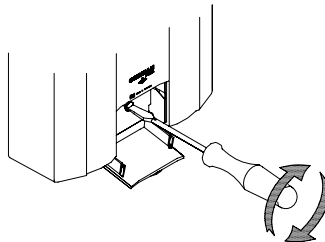
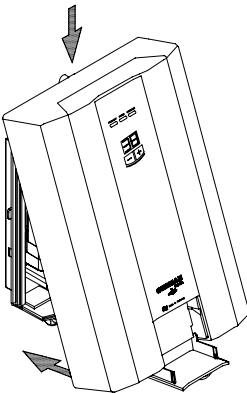
• 如有必要，接線終端可轉移到設備底部。

3. 正確裝上前蓋。再次檢查是否可以輕鬆操作溫度按鍵。如果不，請確保正確安裝前蓋。使用緊固螺釘固定前蓋。

4. 進行電氣接駁之前，小心地打開和關閉熱水喉將幹線和設備裝滿水，以便完全放氣。

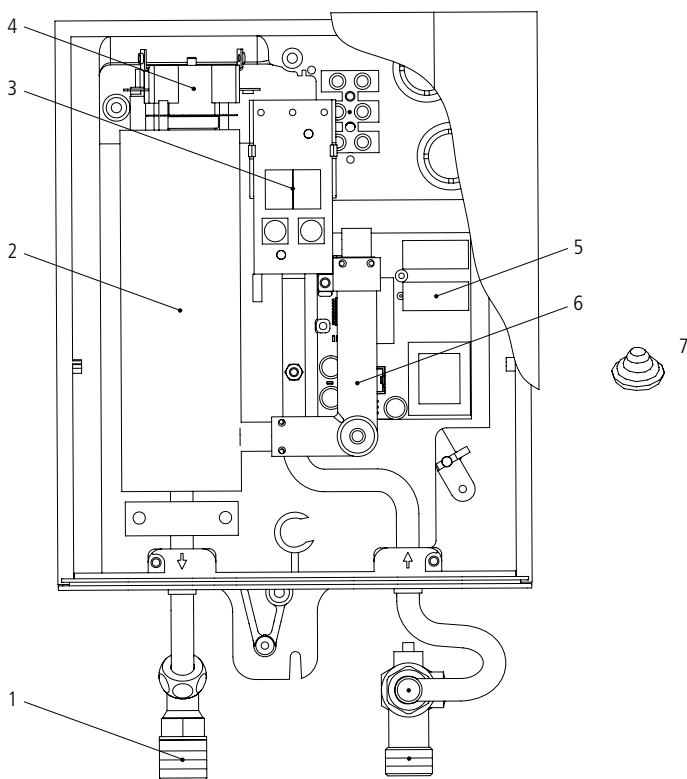
5. 向用戶說明即熱式熱水器的工作原理並轉交操作說明。

6. 填寫保用註冊卡並將其發給 German Pool 中心客戶服務或使用我們網站 [www.germanpool.com](http://www.germanpool.com) 上的線上註冊。



## 1. 概述

## 设备布局



位置	说明
1	黄铜连接装置 (带有插入式回流防止器)
2	加热元件
3	显示面板
4	安全热熔断断路器 (STB)
5	电路板

位置	说明
6	流量传感器
7	电缆密封

沒有顯示：  
細小的零配件

订购产品零部件时,请说明产品型号,规格和序列号。

## 2. 目录

1. 概述 .....	26
2. 目录 .....	27
3. 技术规格 .....	27
4. 操作说明 .....	28 – 30
5. 客户服务 .....	31
6. 安装 .....	32 – 37
保修条款和条件 .....	38
客户服务部 .....	39



**操作说明：使用设备之前，请仔细阅读以下说明！**

## 3. 技术规格

型号	CRX9
容量	0.2 l
压力类型, 额定压力	0.6 MPa (6 bar)
加热系统	管式加热器
额定功率	8.0 – 9.6 kW
额定电压 (50 Hz)	1 N/PE~
220 – 240 V 时的额定电流	36 – 40 A
所需导体最小横截面	3 × 6.0 mm <sup>2</sup>
出厂预设流量减速器	5.0 升/分
当前流量下的温度增量 Δt	23 K
进水温度 20 °C 时的热水温度	43 °C
接通流速	2 升/分
预设温度	35 – 55 °C
冷水温度	30 °C
水管连接	1/2" B.S.P. 明装或暗装
净重和尺寸 (H × W × D)	2.2 kg / 33 × 21 × 9 cm
VDE 保护等级和保护类型	1 / IP25
安全标记	请参阅型号铭牌



## 4. 操作说明

### 封闭式热水器的安全说明：

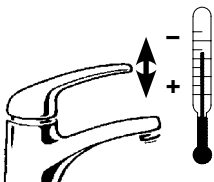
- 本设备的安装、初始操作和维护必须只能由经过授权的专业人员进行，他们将负责遵守适用的标准和安装规定。我们对由于不遵守这些说明而导致的任何损坏概不负责。
- 除非设备已正确安装并处于最佳工作状态，否则请勿使用设备。
- 本设备仅适用于在封闭、无霜的房间内供家庭用途和类似的应用，并且必须仅用于加热来自干线供给的进水。
- 本设备永远不得暴露在霜冻环境中。
- 本设备必须始终接地。
- 最大水压不得超过标签上的值。
- 初次试运行之前和每次设备排空后（例如，由于在管道系统上工作后，如果有霜冻风险或如果进行维护时），必须根据本手册中的说明对设备进行正确放气。
- 任何情况下，请勿在切断电源与设备的连接之前拆下前盖。
- 切勿进行技术改动（不论对设备本身还是电线和水管）。
- 请注意，水温超过约 43 °C 将被视为热水（尤其是对儿童而言），并且可能导致灼热感。另外，设备使用一段时间后，配件和水龙头可能会非常热。
- 进水温度不得超过 30 °C。
- 如果发生故障，请立即断开保险丝。如果发生泄漏，请立即切断冷水供给。只能由客户服务部门或经过授权的专业人员进行维修。
- 身体、感知或精神能力有缺陷或无法获得经验和/或学习知识的人员（包括儿童）必须在负责其安全的人员监督下或了解如何使用本设备后方可使用。儿童应在监督下使用本设备以免其用本设备玩耍。

### 设备说明

- 本设备为电子控制的、封闭式出水的即热式热水器，用于加热一个水龙头或彼此相邻的两个水龙头（例如，洗脸盆或淋浴器）的出水。技术规格 → 请参阅第 15 页！

### 用途

- 即热式热水器在水流经过时将其直接加热到所需的温度。热水器在流速超过阈值后自动打开。热水器打开时，“Power”（电源）指示灯 (2) 会亮起。流速过低时，“Pressure”（压力）指示灯 (3) 会亮起。
- 将通过电子方式控制管道中的水流速度自动调节功率，从而获得设定的温度并保持近似恒定。可通过两个按钮 (5) 将所需温度设置为介于 35 °C 到 55 °C 之间的某一温度，并且可从数字显示屏 (4) 上读出。
- 如果即热式热水器的最大功率不足以将水加热到所需温度，则将通过闪烁的“Power”（电源）指示灯 (2) 表示这一情况。可通过降低水龙头处的热水流速来恢复温度。
- 如果热水器有两个出水口，则设备的水流将在两个出水口之间分享。因此，应该一次只使用一个出水口以便获得充足的流量。
- 如果进水温度较高，将通过电子方式自动关闭电源，从而避免产生过热的水。这将通过“Overheat”（过热）灯 (1) 表示。



## 4. 操作说明



### 放气

为避免设备损坏，初次使用即热式热水器之前必须对其进行放气。每次排空后（例如在管道系统上工作后，如果有霜冻风险或随后需要进行维修工作时），再次使用之前必须重新对设备进行放气。

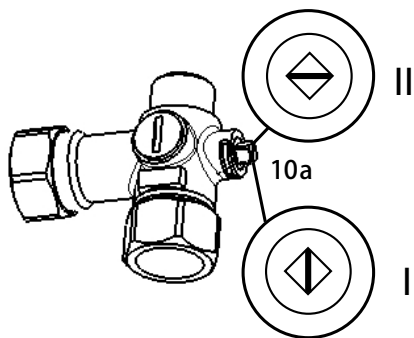
1. 拆下保险丝，断开设备与电源的连接。
2. 接下来，打开和关闭热水龙头阀门数次，直到没有气体从管道排出并且所有气体均已从热水器中排出（约 1 分钟）。
3. 然后将电源重新连接至设备。

### 节能

在设备上精确设置所需的温度并且只打开热水龙头。如果水过热，请在设备上设置较低的温度而不是添加冷水。如果您添加冷水，则加热的水将再次冷却并且将浪费宝贵的能源。此外，装置中添加的冷水无法通过电子方式控制并且不再能够保证恒温。

### 维护和清洁

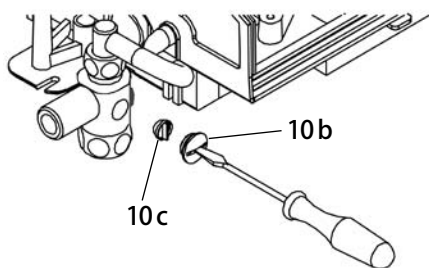
- 塑料表面和配件只能以湿布进行擦拭。切勿使用研磨性清洁剂或溶液。
- 为供水良好，应定期取下清洁或更换通风装置和淋浴头。
- 电子组件和管道组件应由经过授权的专业人员至少每三年检查一次，从而确保热水器始终正常工作和安全运行。



#### 清洁细滤器（暗装）

细滤器位于水管连接 (10) 中，应由专家在设备运行退化和定期维护时进行检查和清洁。

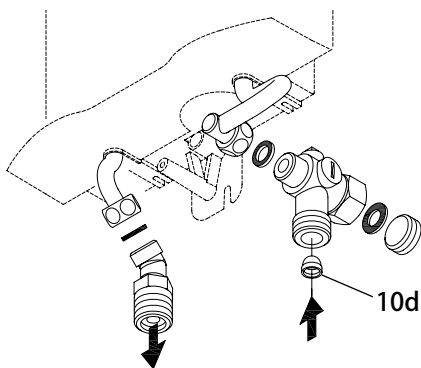
1. 通过断开家庭保险丝的方式断开即热式热水器的连接，关闭冷水连接件（位置 II）中的关闭阀 (10a) 或关闭干线供给。
2. 旋松冷水连接件的螺旋塞 (10b) 并取出滤网 (10c)。注意：残留的水将流出！
3. 滤网可以清洁或更换。
4. 固定滤网后，拧紧螺旋塞。
5. 慢慢打开冷水连接件（位置 I）中的关闭阀。
6. 将设备放气，方法是小心地打开和关闭相连的热水龙头阀门数次，直到不再有气体从管道中排出。



#### 清洁细滤器（明装）

细滤器位于水管连接 (10) 中，应由专家在设备运行退化和定期维护时进行检查和清洁。

1. 通过断开家庭保险丝的方式断开即热式热水器的连接，关闭干线供水。
2. 旋松设备的冷水进水连接装置并从连接件取出滤网 (10d)。注意：残留的水将流出！
3. 滤网可以清洁或更换。
4. 固定滤网后，请重新组装设备的水管连接。
5. 小心地打开干线供水。
6. 将设备放气，方法是小心地打开和关闭相连的热水龙头阀门数次，直到不再有气体从管道中排出。



## 5. 客户服务

如果您遇到故障，请首先尝试借助此表格自行修复故障。如果借助此表格无法修复设备的故障，请联系 German Pool，我们将直接为您提供帮助，或帮助您与当地的客户服务签约合作伙伴进行联系。

请务必指定设备型号和序列号！

问题	可能的原因	解决方案
LED 不亮，水不热	电路断路器已触发	修复该故障并复位
“Power”（电源）指示灯亮起，水不热	加热元件或电子设备故障	复位保险丝，如果水仍然不热，请联系客户服务
	安全热熔断路器已触发	复位。如果反复跳闸，请联系客户服务
“Pressure”（压力）指示灯亮起，水不热	流速过低	增加流量压力清洁水龙头配件或淋浴头
水流过低	取决于热水器	查看技术规格
	出水管配件脏污或钙化	清洁水龙头配件或淋浴头
	过滤器脏污或钙化	清洁或更换过滤器
	水龙头不合适	使用合适的淋浴头或通风装置
热水不够热	电路板	复位保险丝
	流速过高（冬季？）	稍微减少水流量
	加热元件故障	联系客服
温度和压力变化	添加了冷水	只提供某一度范围内的热水

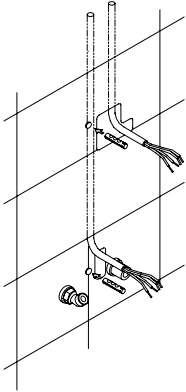
如果借助此表格无法修复故障，请联系您的分销商或德国宝客户服务总部。

只能由经过授权的专业人员进行维修！

我们可能会向经过授权的客户服务公司提供您的姓名和地址，也可能会自己维修热水器。如果是后一种情况，请递交热水器（自行承担费用和风险）及问题详情和销售发票的副本。

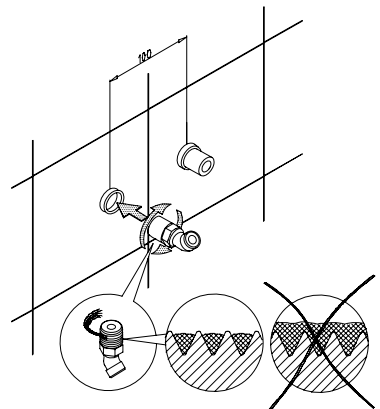
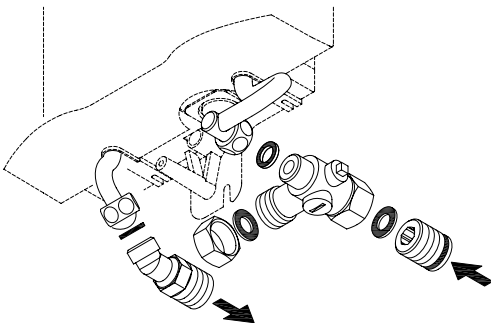
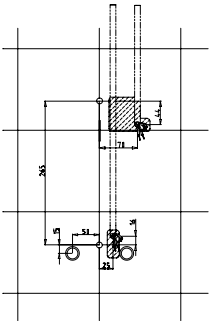
## 6. 安装

如果您安装的是即热式热水器 CRX9 而不是传统的即热式热水器，则通常墙壁固定支架不需要钻孔。在这种情况下，您只需要如 2 中所述拧紧双向管接头并固定壁托架即可。



### 安装壁托架（暗装）：

1. 安装前，仔细清洗供水管道，以除去管道中的脏污。
2. 使用 12 mm 的内六角形螺钉扳手，将拧入式管接头拧入墙壁接头中。拧紧后，双向管接头必须突出 12 mm。
3. 使用少量 P.T.F.E. 仔细密封热水连接管。将其用带子固定并拧入墙壁连接装置中。装配附带 1/2" 密封件的冷水连接件。
4. 握住墙壁上的设备并将其对齐，以便设备的水管接头装在墙壁连接装置上。标记钻孔位置并使用 6 mm 钻来钻孔。
5. 将设备装到墙上并连接设备的水源，以及 3/8" 密封件。
6. 打开设备的供水管道并慢慢打开冷水连接件 (10a) (位置 I) 中的关闭阀。检查所有连接有无泄漏。
7. 接下来，打开和关闭热水龙头阀门数次，直到没有气体从管道排出并且所有气体均已从即热式热水器中排出。

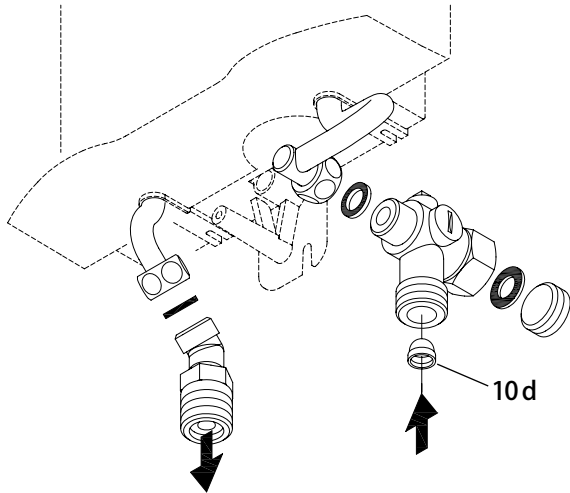
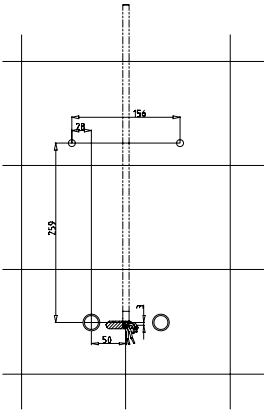
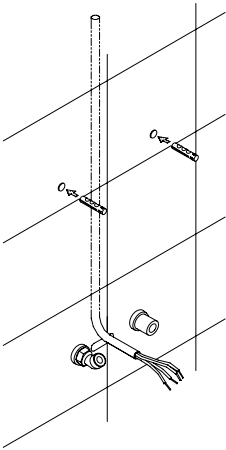




## 6. 安装

### 安装壁托架（明装）：

1. 安装前，仔细清洗供水管道，以除去管道中的脏污。
2. 将管接头中的 1/2" 螺钉和 1/2" 密封件拧到热水管接头的 1/2" 管接螺母中。
3. 必须卸下冷水管接头侧面出水管的 1/2" 螺帽，并将其拧到拧入式管接头的开口端。
4. 将细滤器装到冷水连接件 (10 d) 中。
5. 然后，必须将热水和冷水管接头拧到设备和输送管道的 3/8" 管接螺母以及 3/8" 密封件上。
6. 标记钻孔位置并使用 6 mm 钻来钻孔。将设备装到墙上并连接设备的水源。
7. 设备外壳上必须有孔，管路才能在钝器的协助下穿出外壳。
8. 打开设备的供水管道并慢慢打开冷水连接件 (10 a) 中的关闭阀。检查所有连接有无泄漏。
9. 接下来，打开和关闭热水龙头阀门数次，直到没有气体从管道排出并且所有气体均已从即热式热水器中排出。



## 6. 安装

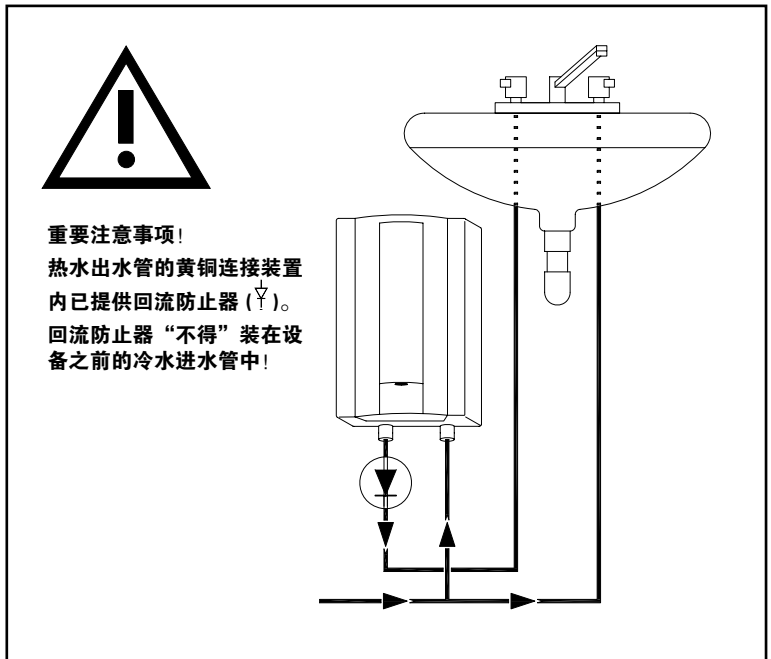


### 适用于经授权技术人员的安装说明

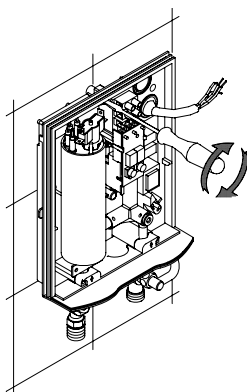
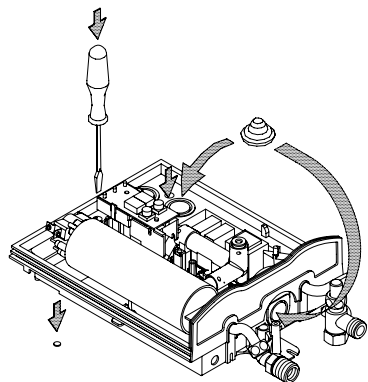
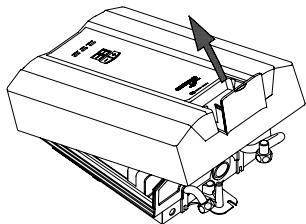
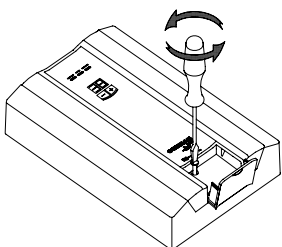
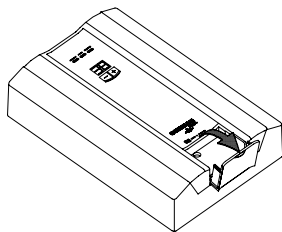
- 各国家/地区的法律规定以及当地的电力和供水公司的规定。
- 标称铭牌上的规格和技术规格。

### 安装地点

- 安装地点必须一律为无霜环境。
- 设备符合保护类型 IP25 并且可根据 IEC 安装在区域 1
- 要避免热量流失，热水器和分接点的距离应尽可能小(于 2 m)。
- 流动压力大于等于 3 bar 时可以保证最佳性能，请避免压力超过 0.6 MPa (6 bar)。
- 管式加热器型号的水管材料：冷水：钢或铜，热水：铜



## 6. 安装

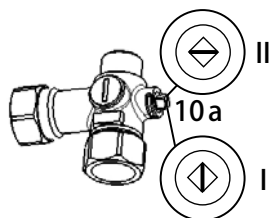
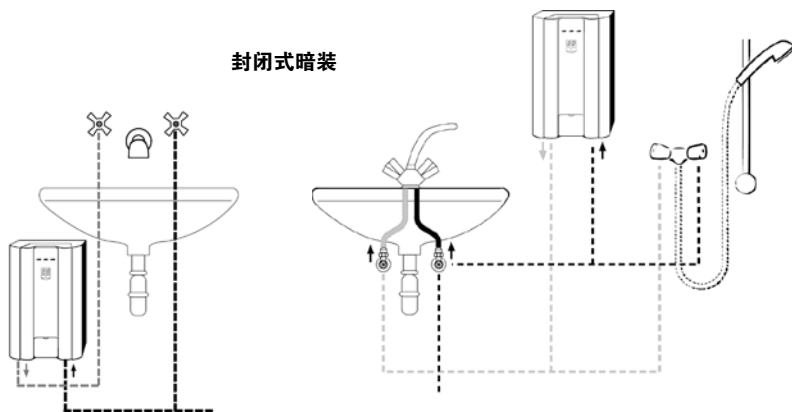


### 安装设备：

1. 彻底清洗供水管道并关闭以便安装。
2. 通过旋松小盖子后面的锁定螺钉，卸下前盖。
3. 找到并打破所需的孔和电缆入口。使用设备标记钻孔位置并以 6 mm 钻头钻孔。
4. 装上提供的橡胶垫圈并插入连接导线。使用挠性电源线时，必须使用电缆夹固定导线。
5. 使用附带的原装螺塞和螺钉将设备固定到位。
6. 如上面的基本示例所示安装设备。使用箭头标记进水口和出水口。
7. 水管连接设计对于明装或暗装均可。必须使用少量 P.T.F.E. 仔细地密封。固定到墙壁连接后使用带子固定。
8. 明装时，前盖进出水孔需打破。

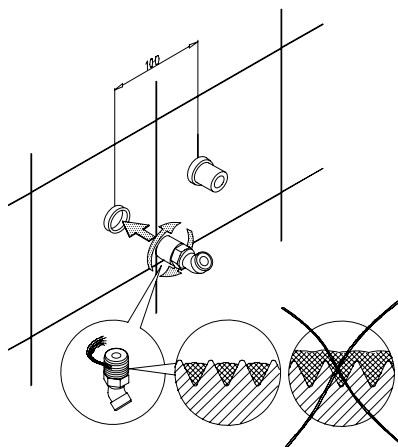
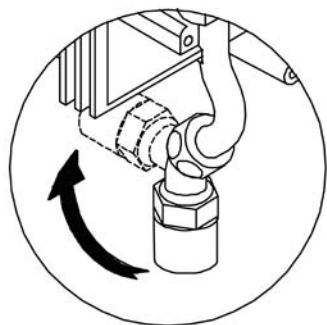
## 6. 安装

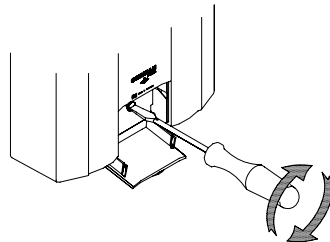
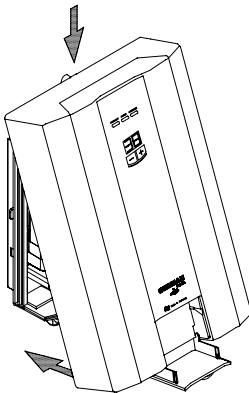
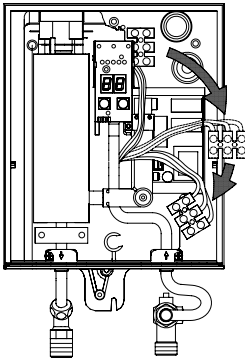
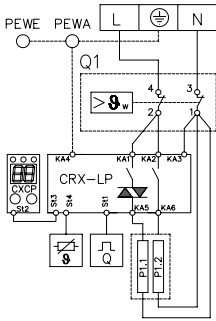
## 封闭式暗装



9. 打开水源并慢慢打开冷水连接（位置I）中的关闭阀（10a）（如有必要）。检查所有连接有无泄漏。

10. 接下来，打开和关闭热水龙头数次，直到没有气体从管道排出并且所有气体均已从热水器中排出。





### 电气连接:

即热式热水器是一种保护等级为 I 的设备，必须连接至保护性接地导体！

1. 进行电气连接之前请检查电源是否关闭！

- 设备必须以永久接线的方式通过合适的保险丝（离所有电极至少 3mm 的触点间隔）连接至电源。
- 连接电缆的横截面必须符合额定功率要求。
- 为保护设备，必须装有跳闸电流与设备额定电流相等的保险丝元件。

2. 切开垫圈以匹配电缆大小。垫圈中的开口应稍小于电缆的横截面，以便确保最佳防水保护。将垫圈装入开口中。必须使用保护垫圈！设备必须接地！

- 如有必要，接线终端可转移到设备底部。

3. 正确装上前盖。再次检查是否可以轻松操作温度按键。如果不行，请确保正确安装前盖。使用紧固螺钉固定前盖。

4. 进行电气连接之前，小心地打开和关闭热水龙头将干线和设备装满水，以便完全排气。

5. 向用户说明即热式热水器的工作原理并转交操作说明。

6. 填写保修注册卡并将其发给 German Pool 中心客户服务或使用我们网站 [www.germanpool.com](http://www.germanpool.com) 上的在线注册。

請填妥以下空格並與發票一併保存，以便維修時核對資料。用戶提供本公司之所有資料必須正確無誤，否則免費保用將會無效。請填妥以下空格并与发票一并保存，以便维修时核对资料。用户提供本公司之所有资料必须正确无误，否则免费保用将会无效。Please fill out the form below. This information and the purchase invoice will be required for any repairs. Warranty will be invalid if information provided is found to be inaccurate.

型號 | 型号 | Model No. :  CRX9

機身號碼 | 机身号码 | Serial No. : \_\_\_\_\_

購買商號 | 购买商号 | Purchased From : \_\_\_\_\_

發票號碼 | 发票号码 | Invoice No. : \_\_\_\_\_

購買日期 | 购买日期 | Purchase Date : \_\_\_\_\_

## 保用條例

此保用提供德國寶產品之機件在正常使用下壹年保用(自購買日起計算)。

貴戶須在購機十天內，以下列其中一種方式向本公司登記資料，保用手續方式正式生效：

- 1) 填妥本公司網頁內之保用登記表格  
[www.germanpool.com/warranty](http://www.germanpool.com/warranty)
- 2) 填妥保用登記卡，並連同購機發票之副本一併郵寄到客戶服務總部(本公司將不發還發票副本或登記卡)。

1. 未能出示購買發票正本者，將不獲免費維修服務。
2. 用戶應依照說明書的指示操作。本保用並不包括：
  - 任何附件及輔助裝置；
  - 因天然與人為意外造成的損壞(包括運輸及其它)；
  - 電源接合不當、不依說明書而錯誤或疏忽使用本機所引致之損壞。
3. 於下列情況下，用戶之保用資格將被取消：
  - 購買發票有任何非認可之刪改；
  - 產品被用作商業或工業用途；
  - 產品經非認可之技術人員改裝或加裝任何配件；
  - 機身編號被擅自塗改、破壞或刪除。
4. 如用戶自攜熱水器或部份配件到本公司維修部檢查或維修，本公司將會收取檢查或測試費用。
5. 總代理有權選擇維修或更換配件或其損壞部份。
6. 產品一經被轉讓，其保用即被視作無效。
7. 香港客戶：  
保用只在香港、九龍及新界區有效，東涌、愉景灣及離島須額外收取交通費用。  
國內客戶：  
個別區域或會收取額外交通費用，詳情請致電全國服務熱線查詢。

## 保用条例

此保用提供德国宝产品的机件在正常使用下壹年保用(自购买日起计算)。

用户须在购机十天內，以下列其中一种方式向本公司登记资料，保用手续方式正式生效：

- 1) 填妥本公司网页内的保用登记表格  
[www.germanpool.com/warranty](http://www.germanpool.com/warranty)
- 2) 填妥保用登记卡，并连同购机发票的副本一并邮寄到客户服务总部(本公司将不发达发票副本或登记卡)。

1. 未能出示购买发票正本者，将不获免费维修服务。
2. 用户应依照说明书的指示操作。本保用并不包括：
  - 任何附件及辅助装置；
  - 因天然或人为意外造成的损坏(包括运输及其它)；
  - 电源接合不当、不依说明书而错误或疏忽使用本机所引致的损坏。
3. 于下列情况下，用户之保用资格将被取消：
  - 购买发票有任何非认可的删改；
  - 产品被用作商业或工业用途；
  - 产品经非认可的技术人员改装或加装任何配件；
  - 机身编号被撞自涂改、破坏或删除。
4. 如用户自携热水器或部份配件到本公司维修部检查或维修，本公司将会收取检查或测试费用。
5. 总代理有权选择维修或更换配件或其损坏部份。
6. 产品一旦被转让，其保用即被视作无效。
7. 香港客戶：  
保用只在香港、九龍及新界區有效，東涌、愉景灣及離島須額外收取交通費用。  
國內客戶：  
個別區域或會收取額外交通費用，詳情請致電全國服務熱線查詢。

## Warranty Terms & Conditions

Under normal operations, the water heater will receive a 1-year full warranty provided by German Pool (effective starting from the date of purchase).

This warranty is not valid until Customer's registration information is returned to and received by our Service Centre within 10 days of purchase via one of the following methods:

- 1) Visit our website and register online:  
[www.germanpool.com/warranty](http://www.germanpool.com/warranty)
- 2) Complete all fields on the attached Warranty Card and mail it back to our Customer Service Headquarters along with a photocopy of the purchase invoice (Warranty Card and invoice copy will not be returned to Customer)

1. Customer who fails to present original purchase invoice will be disqualified for free warranty.
2. Customer should always follow the operating instructions. This warranty does not apply to:
  - any accessories and auxiliary devices;
  - damages caused by accidents of any kind (including transport and others);
  - operating failures resulted by incorrect voltage, improper operations and unauthorized installations or repairs.
3. This warranty is invalid if:
  - purchase invoice is modified by unauthorized party;
  - product is used for any commercial or industrial applications;
  - product is repaired or modified by unauthorized personnel, or unauthorized parts are installed;
  - serial number is modified, damaged or removed from the product.
4. Regardless of warranty status, all walk-in requests for water heater repair or replacement service at our Customer Service Centre are subject to testing and handling charges.
5. German Pool will, in its discretion, repair or replace any defective part.
6. This warranty will be void if there is any transfer of ownership from the original purchaser.
7. Hong Kong: Service area includes Hong Kong Island, Kowloon and New Territories. Repairs in Tung Chung, Discovery Bay or other outlying islands are subject to extra service charges.  
Mainland China: Repairs in certain regions are subject to extra service charges. Please call our China Customer Service Hotline for enquiries.

# 客戶服務部 | 客户服务部 | Customer Service Centre

## 香港

德國寶(香港)有限公司

電話 : +852 2333 6249

傳真 : +852 2356 9798

電郵 : repairs@germanpool.com

地址 : 香港九龍土瓜灣馬頭角道116號

新寶工商中心高層地下2-4號室

## 香港

德国宝(香港)有限公司

电话 : +852 2333 6249

传真 : +852 2356 9798

电邮 : repairs@germanpool.com

地址 : 香港九龍土瓜灣馬頭角道116号

新宝工商中心高层地下2-4号室

## Hong Kong

German Pool (Hong Kong) Limited

Tel : +852 2333 6249

Fax : +852 2356 9798

Email : repairs@germanpool.com

Address : Room 2-4, Upper G/F,

Newport Centre,  
116 Ma Tau Kok Road,  
Tokwawan, Kowloon, H.K.

## 中國

全國服務熱線 :

+86 400 830 3838

傳真 : +86 0757 2336 0284

電郵 : info@germanpool.com

## 中国

全国服务热线 :

+86 400 830 3838

传真 : +86 0757 2336 0284

电邮 : info@germanpool.com

## China

China Customer Service Hotline :

+86 400 830 3838

Fax : +86 0757 2336 0284

Email : info@germanpool.com



GERMAN  
POOL



德國寶



德國寶(香港)有限公司 | 德国宝(香港)有限公司  
German Pool (Hong Kong) Limited

香港九龍土瓜灣馬頭角道116號新寶工商中心高層地下2-4號室  
香港九龍土瓜灣馬頭角道116號新寶工商中心高層地下2-4號室  
Room 2- 4, Upper Ground Floor, Newport Centre  
116 Ma Tau Kok Road, Tokwawan, Kowloon, Hong Kong

電話 | 电话  
(Tel) :  
+852 2333 6245  
+852 2773 2888

傳真 | 传真  
(Fax) :  
+852 2765 8215  
+852 2365 6009

電郵 | 电邮  
(E-mail) :  
info@germanpool.com



香港 (S MARK)  
安全認證



中國標權/家電行業  
十大影響力品牌



CEO非凡品牌大賞



香港優質商號



香港工商業獎



2007  
最具潛質  
創建品牌企業獎



香港中小企業  
最佳拍檔大獎



香港消費者推崇品牌



香港 (Q 獎)  
優質服務證書



香港卓越名牌  
HONG KONG  
PREMIER BRAND

©版權所有。未獲德國寶授權，不得翻印、複製或使用本說明書作任何商業用途，違者必究。

©版權所有。未获德国宝授权，不得翻印、复制或使用权本说明书作任何商业用途，违者必究。

©All rights reserved. Copying, reproducing or using the contents of this manual is not allowed without prior authorization from German Pool, violators will be prosecuted.

Subject to technical changes, design, changes and errors. 保留技術更改、規格變動之權利，疏忽之處在所難免。  
保留技術更改、規格變動之權利，過失之處在所難免。 9120-1413 01.11 GP-DMS 0.2

www.germanpool.com